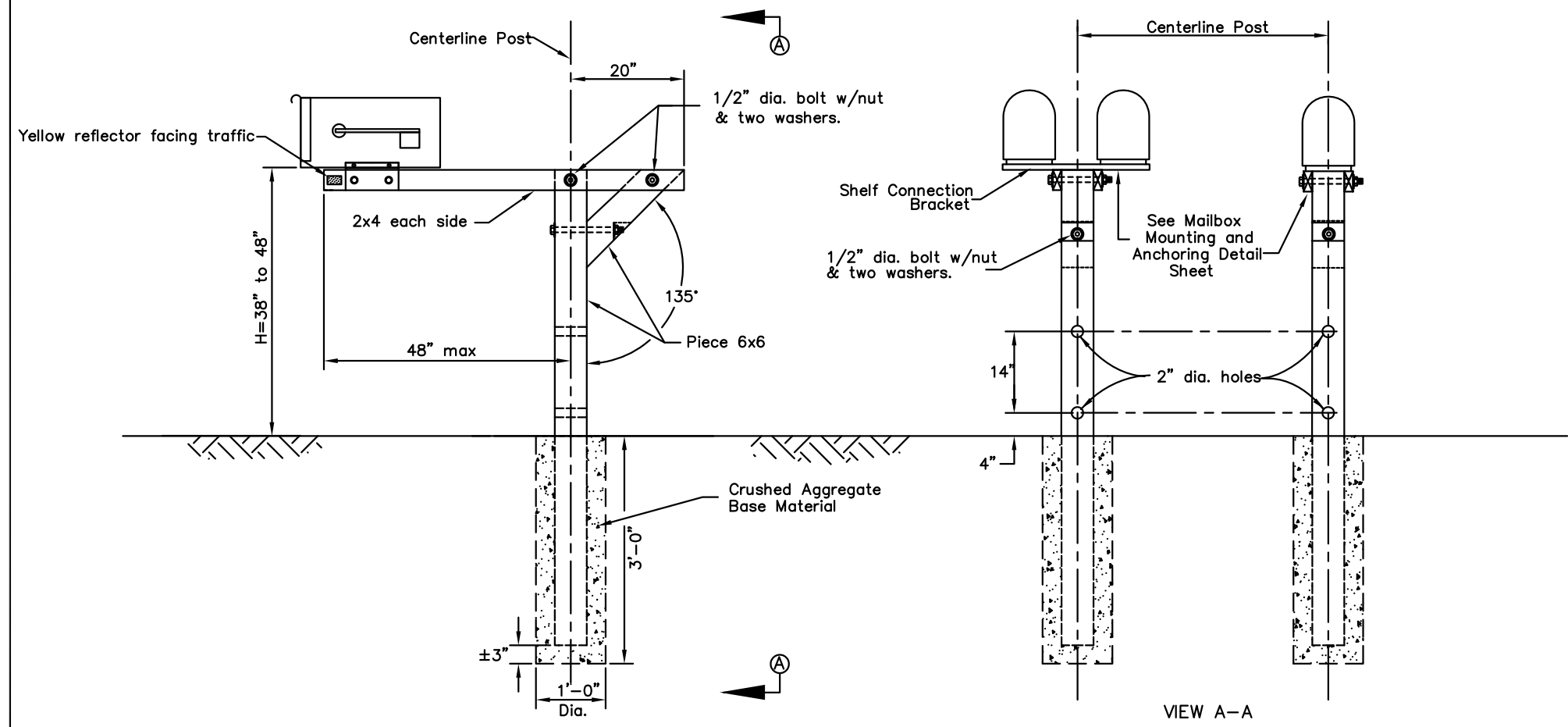
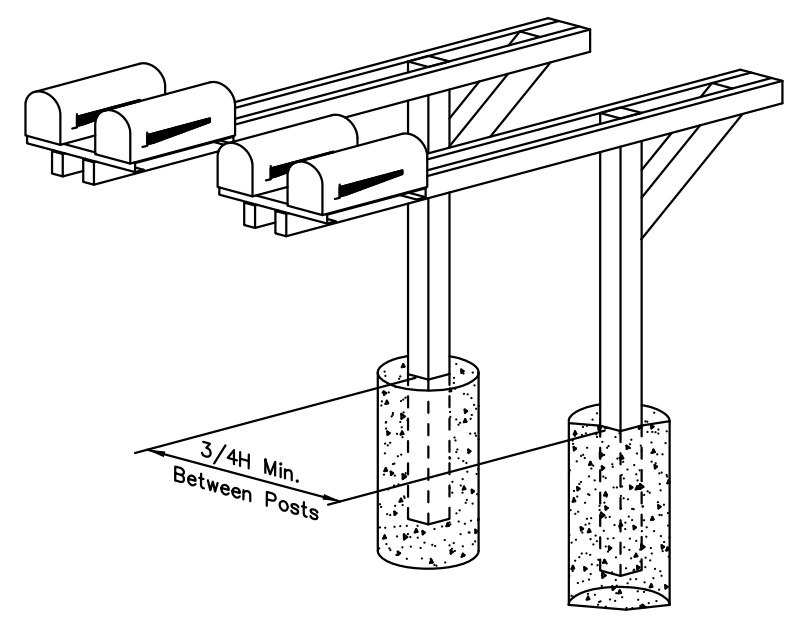


GENERAL NOTES:

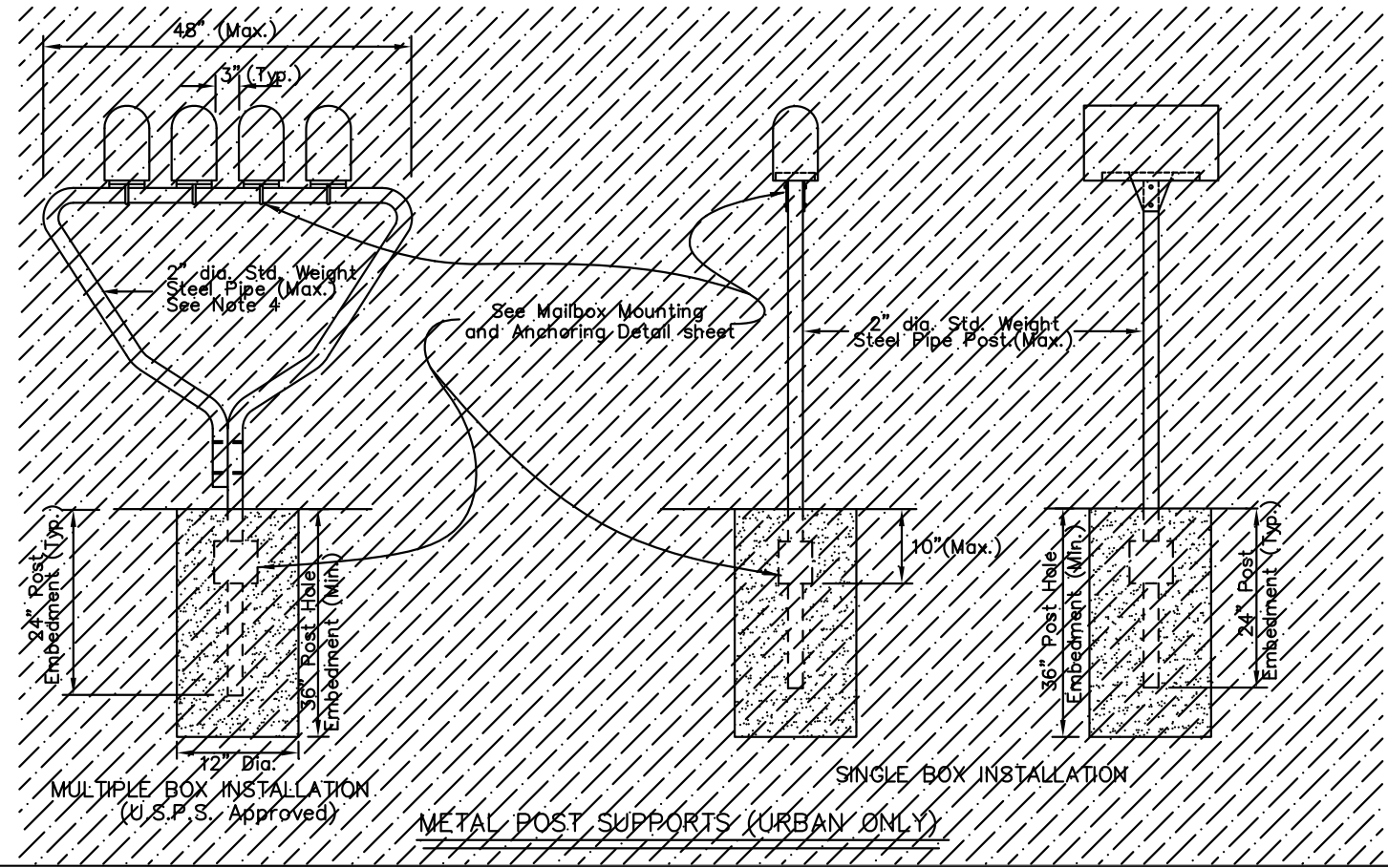
1. See Standard Drawing, 'Mailbox Location', for locating posts and boxes along roadway.
2. Posts shall be 6"x6" Treated Wood Post S4S or 2" (Max.) Standard Weight Steel Pipe.
3. Each support structure shall not accommodate more than two mailboxes unless the support structure conforms to the requirements of the U.S. Postal Service and is approved by the Engineer.
4. Other steel or aluminum structural sections may be used except the stiffness properties equivalent to the 2" dia standard weight steel pipe shall not be exceeded.
5. Reflectors shall have a minimum area of 4.5 sq. in.



TYPICAL WOOD CANTILEVER INSTALLATION



TYPICAL GANG BOX INSTALLATION



REVISIONS		
Date	Description	By
9/15/91	Mod w/USPS specs.	Gdo
4/1/93	Revise Embedment Depth	Gdo
1/1/96	Del. Specs./Min. Height	Gdo

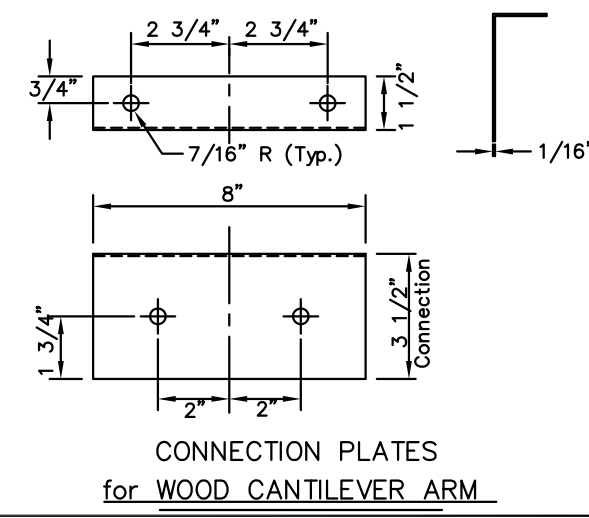
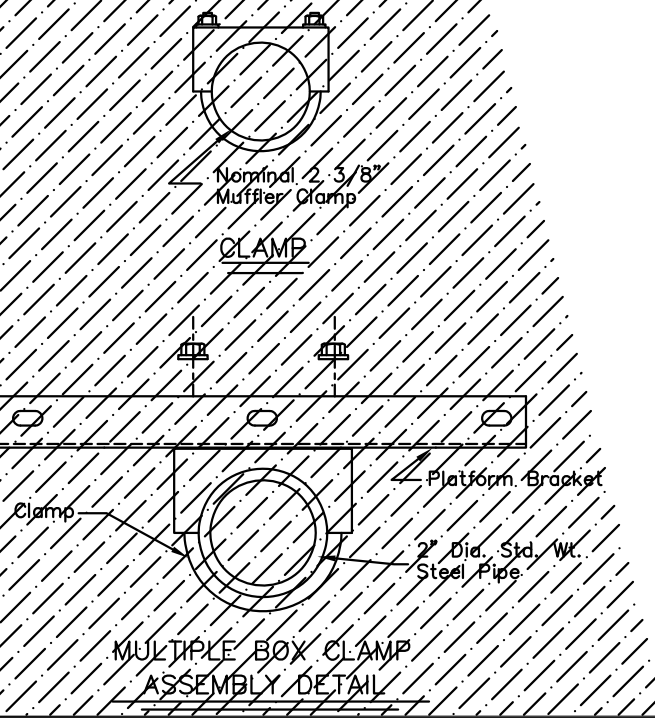
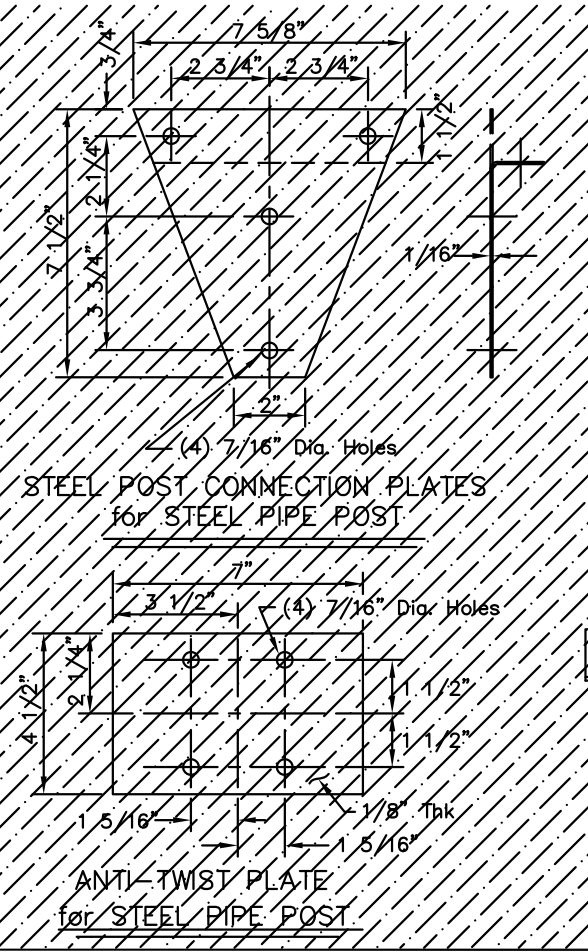
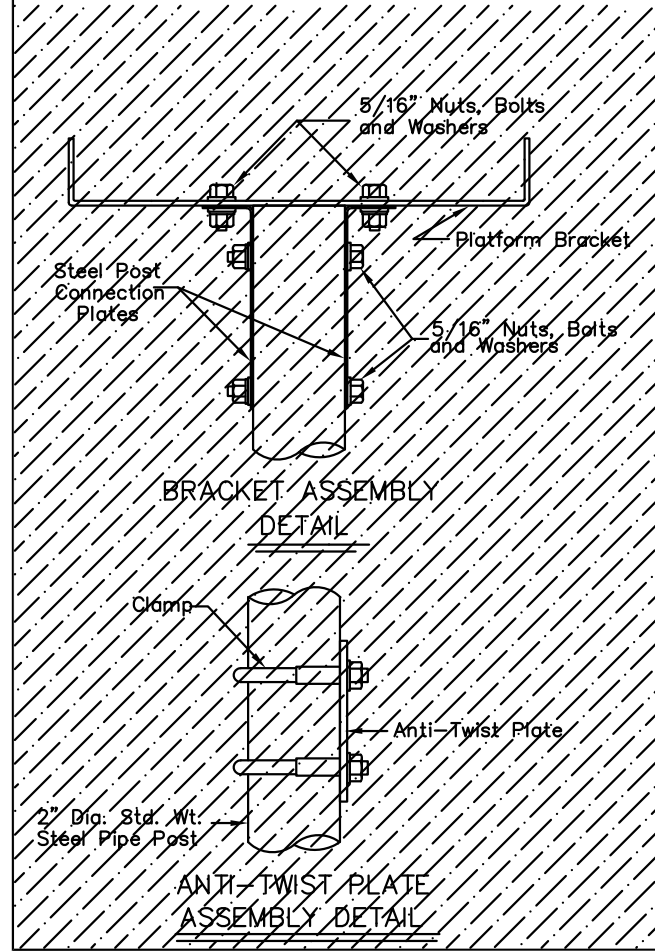
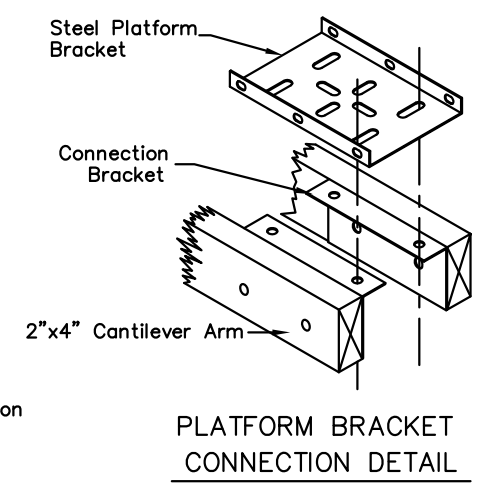
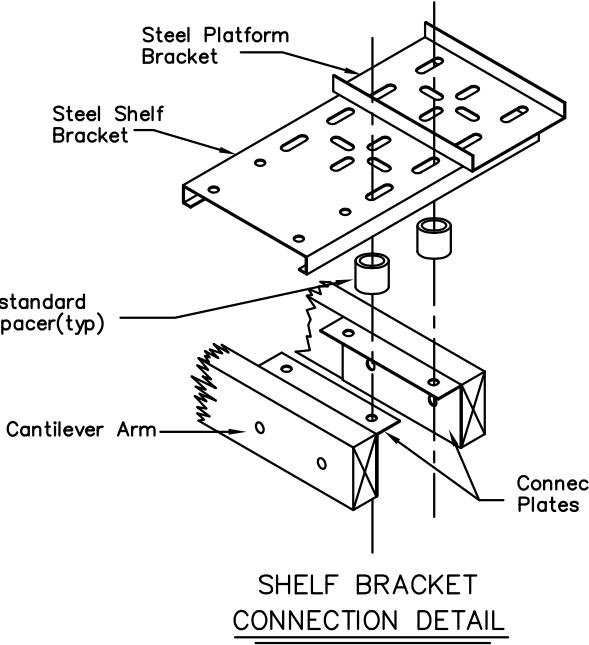
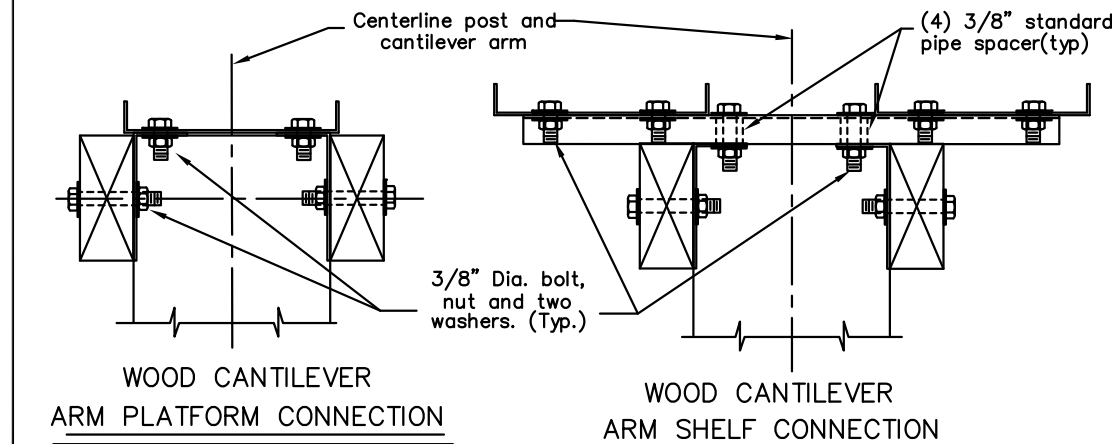
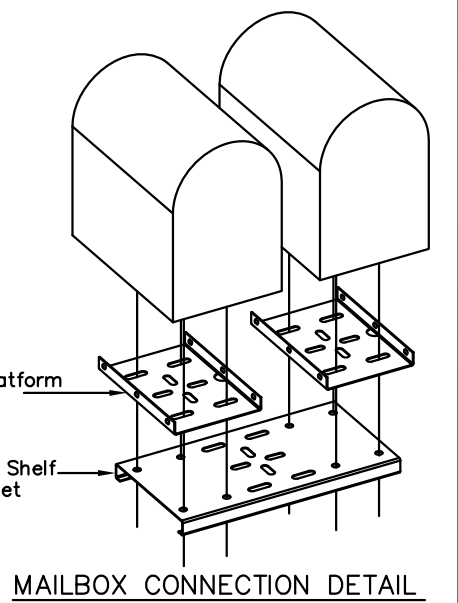
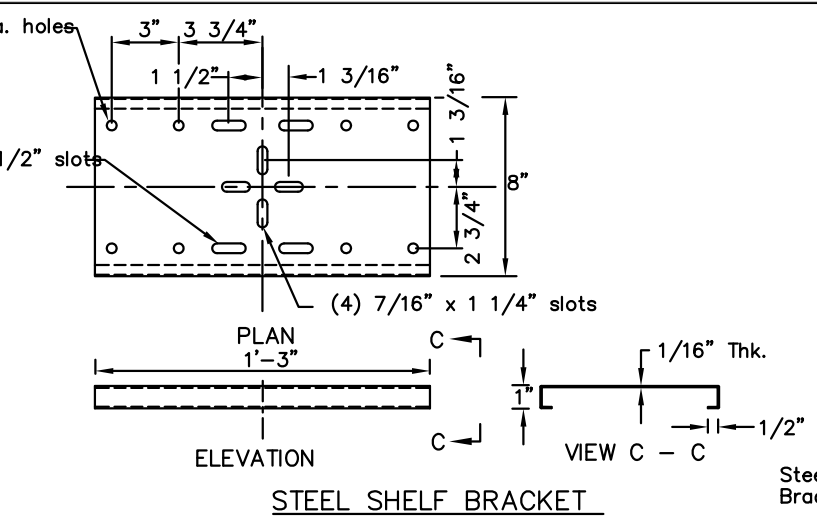
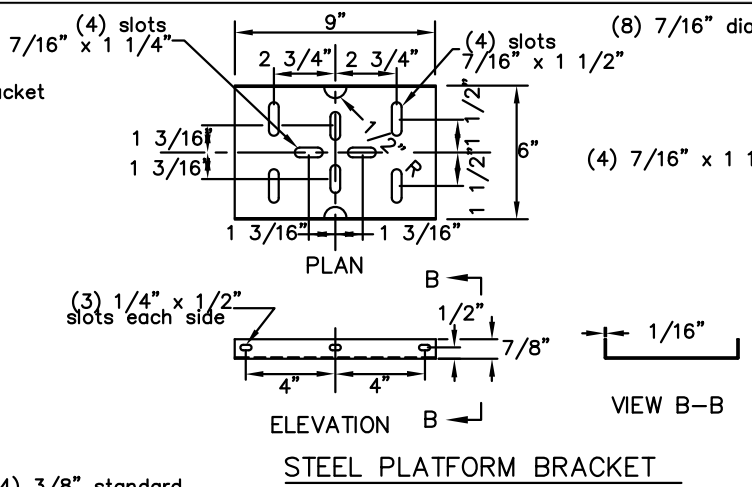
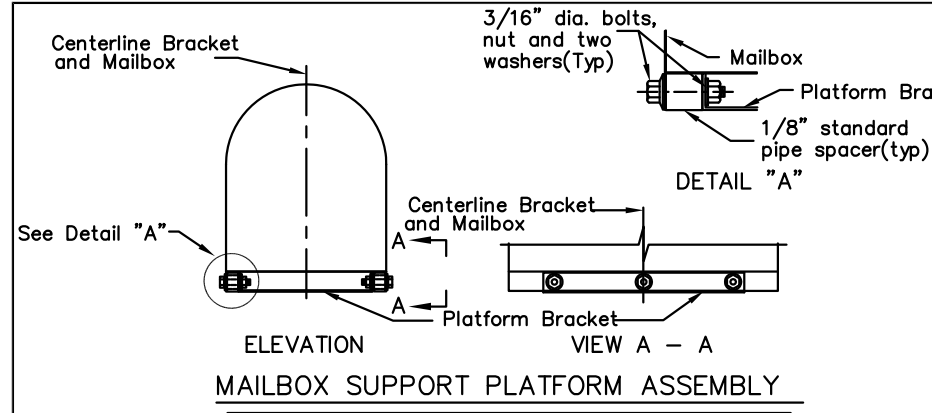
State of Alaska  
Department of Transportation  
& Public Facilities

MAILBOX  
INSTALLATION

APPROVED

Date 12/1/87

Drawing for Wood Cantilever Mailbox Support for use in locations without curb and gutter



REVISIONS		
Date	Description	By

State of Alaska  
Department of Transportation  
& Public Facilities

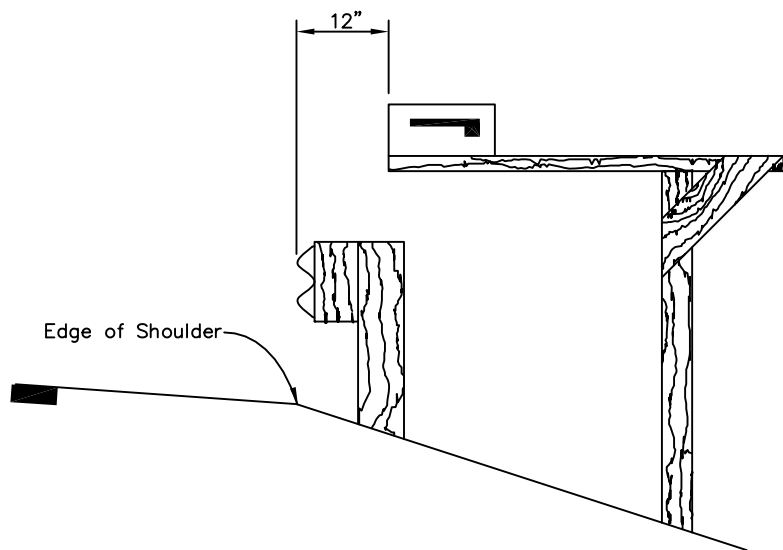
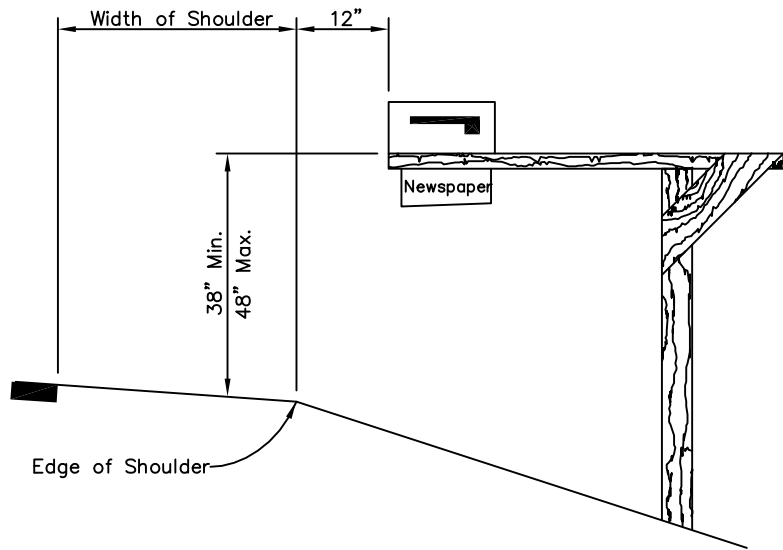
**MAILBOX MOUNTING  
AND ANCHORING DETAILS**

APPROVED  
4/1/93

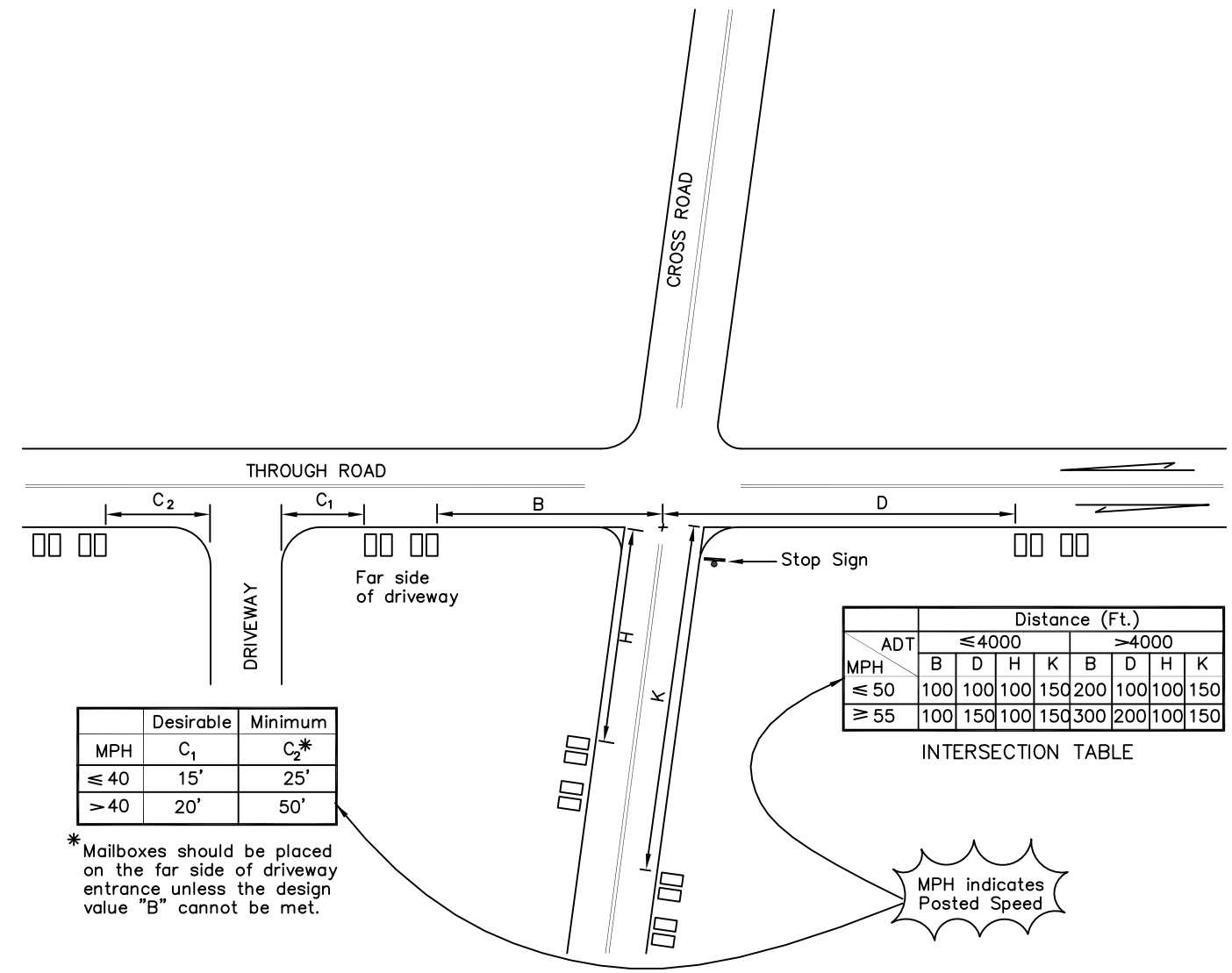
Drawing for Wood Cantilever Mailbox Support for use in locations without curb and gutter

GENERAL NOTES:

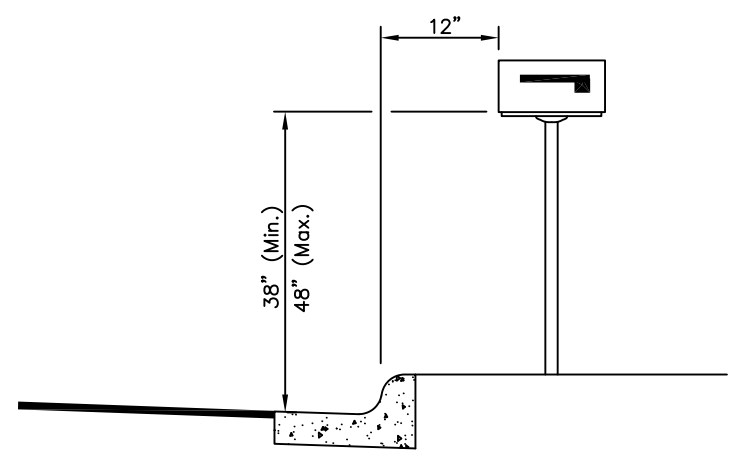
1. Mailboxes and supports shall conform with U.S. Postal Service Regulations.
2. Supports shall be of neat construction and adequate strength to support mailboxes. (See Standard Drawing Mailbox Installation)
3. Mailbox supports shall not present a rigid, unyielding impact resistant hazard to road traffic, but shall be flexible and yielding to vehicular impact.
4. Installation shall be on the right side of roadway in direction of traffic flow with the exception of one-way streets.
5. Installation shall be located so as not to create any dangers to road traffic, carriers and postal recipients.
6. Boxes should be grouped if feasible. A minimum shoulder width of 8' shall be used for most installations.
7. Newspaper receptacles shall conform to the same setback and support regulations as mailboxes. Where newspaper receptacles and mailboxes are to be mounted together, the newspaper receptacle shall be mounted below the bottom surface of the mailbox.
8. Boxes mounted on metal posts in an urban area shall be placed 12" from the face of the curb.



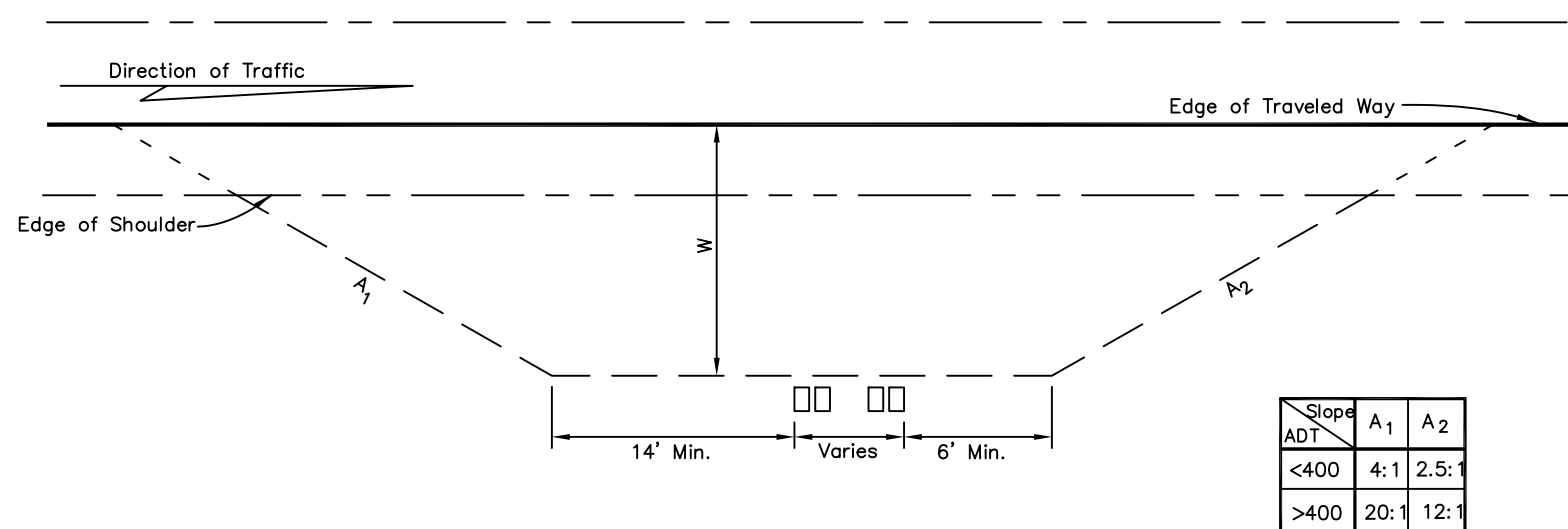
WOOD POST (RURAL) INSTALLATION



MAILBOX LOCATION AT INTERSECTIONS AND DRIVEWAYS



METAL POST (URBAN) INSTALLATION



TURNOUTS FOR GROUPED BOXES

REVISIONS		
Date	Description	By
4/1/93	Gen. Note 8	Gdo
1/1/96	Revise Min. Height	Gdo

State of Alaska  
Department of Transportation  
& Public Facilities

MAILBOX LOCATION

APPROVED

Date 12/1/87