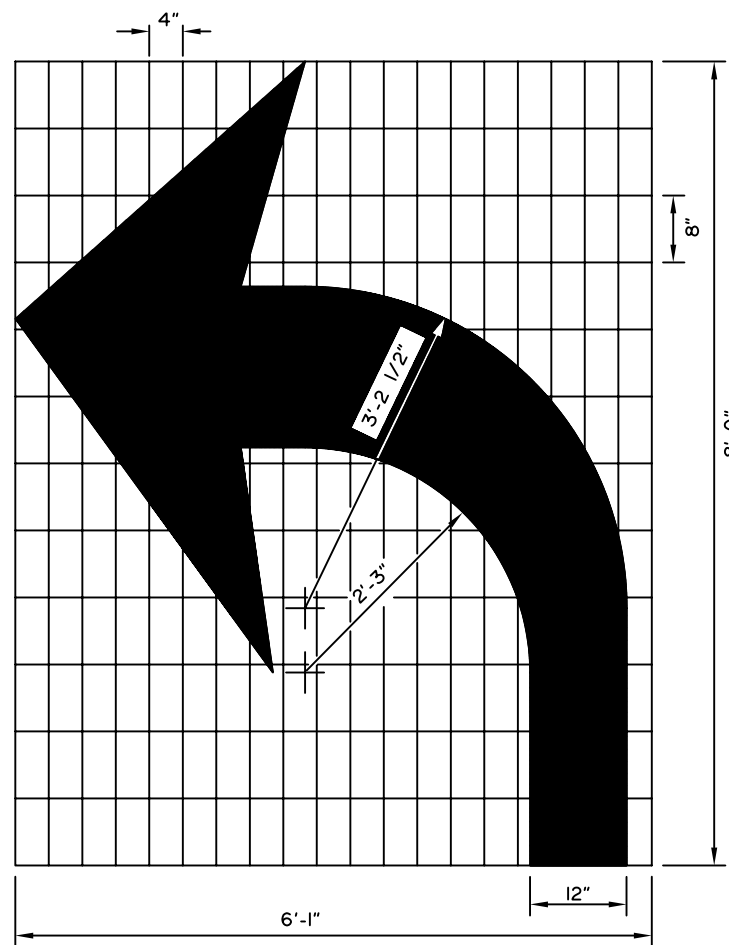
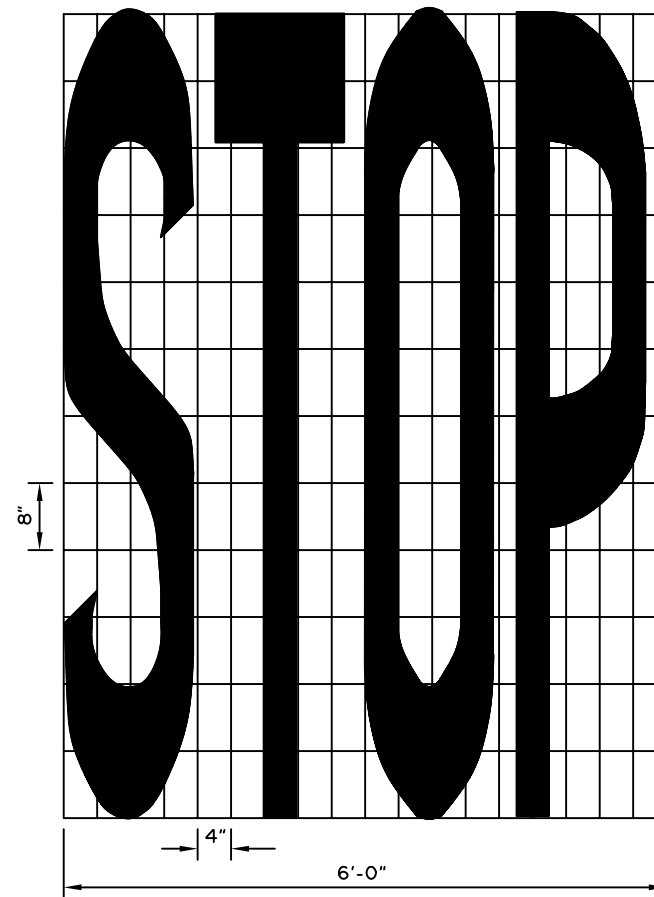
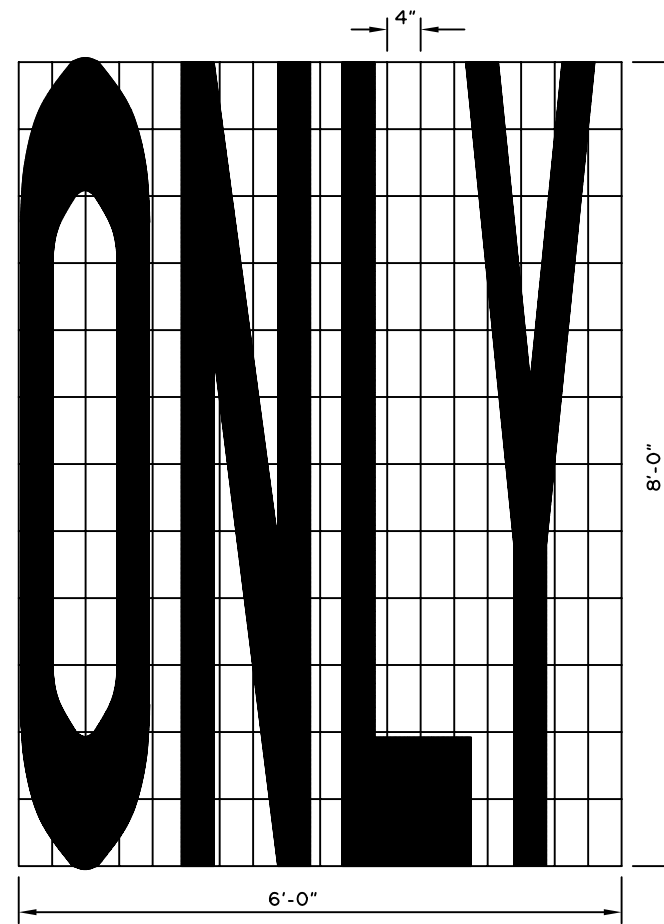


GENERAL NOTES:

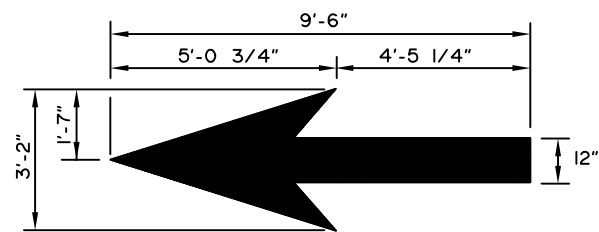
1. All symbols shown shall be white and reflectorized in accordance with the Special Provisions.
2. See "Standard Alphabets for Highway Signs and Pavement Marking" for letter layout.



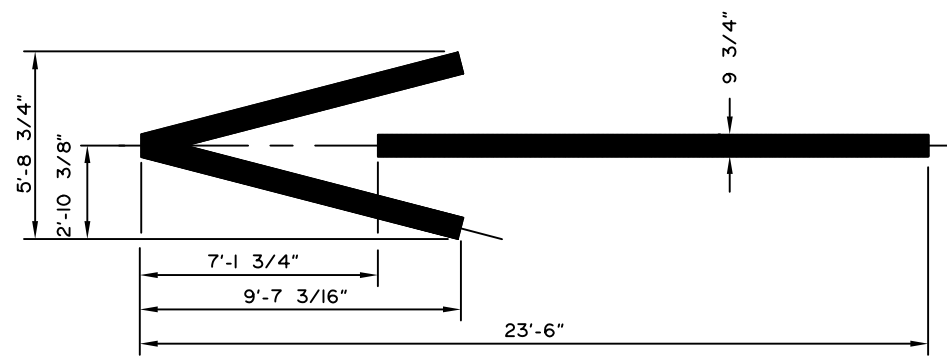
Right turn auxiliary lane usage markings identical except arrow symbol is reversed.



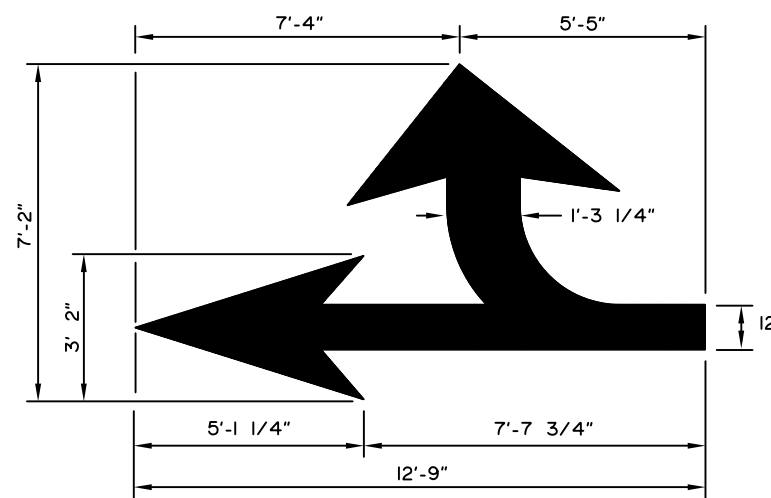
LAYOUT TEMPLATES FOR STENCILS



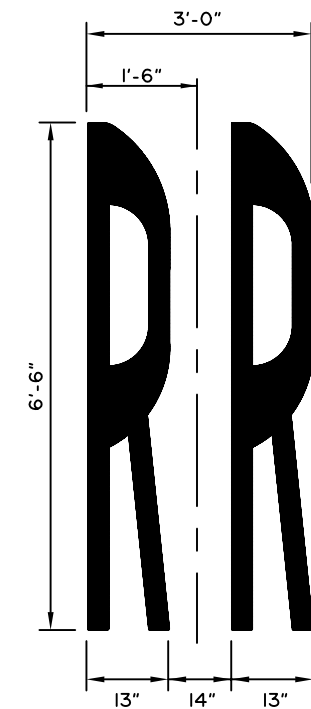
STRAIGHT AHEAD ARROW



WRONG WAY ARROW



COMBINATION ARROW



RAILROAD SYMBOL

REVISIONS		
Date	Description	By
1/1/86	Redraft Arrow Dim.	Gdo
4/1/93	Revise Arrow Markings	Gdo
2/15/00	Revise RR Symbol	KJS

State of Alaska
Department of Transportation
& Public Facilities

PAVEMENT MARKING
SYMBOL DIMENSIONS



Date 1/1/86