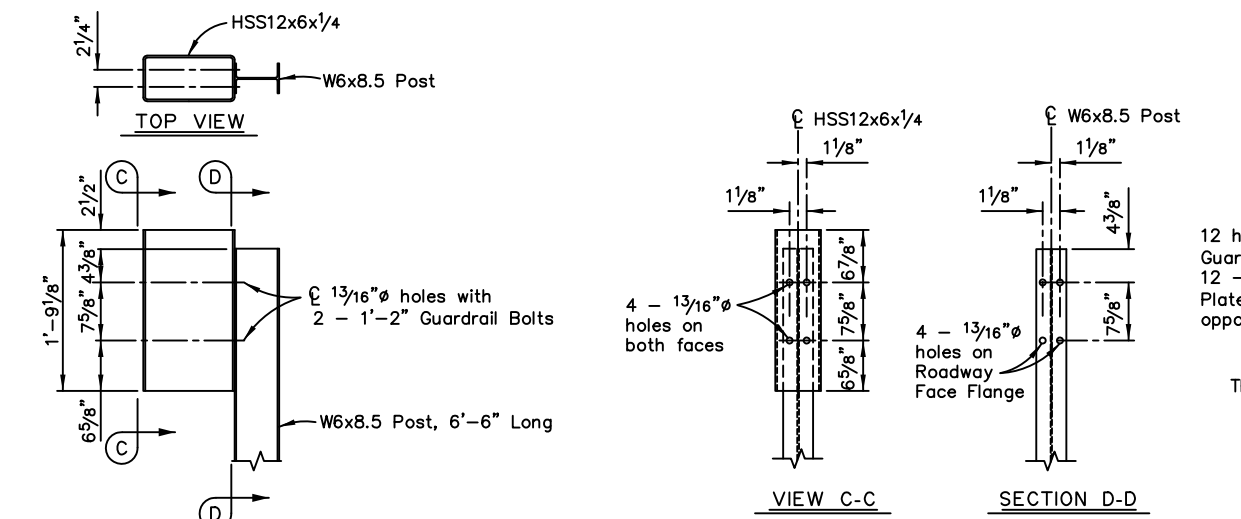
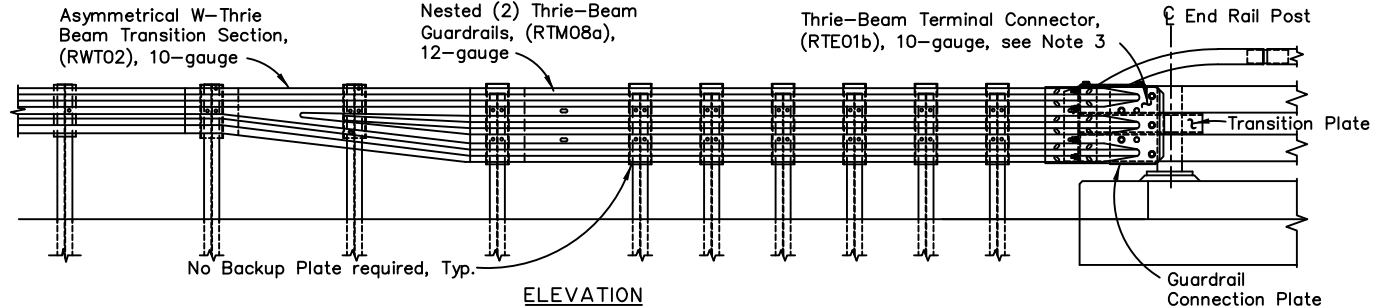
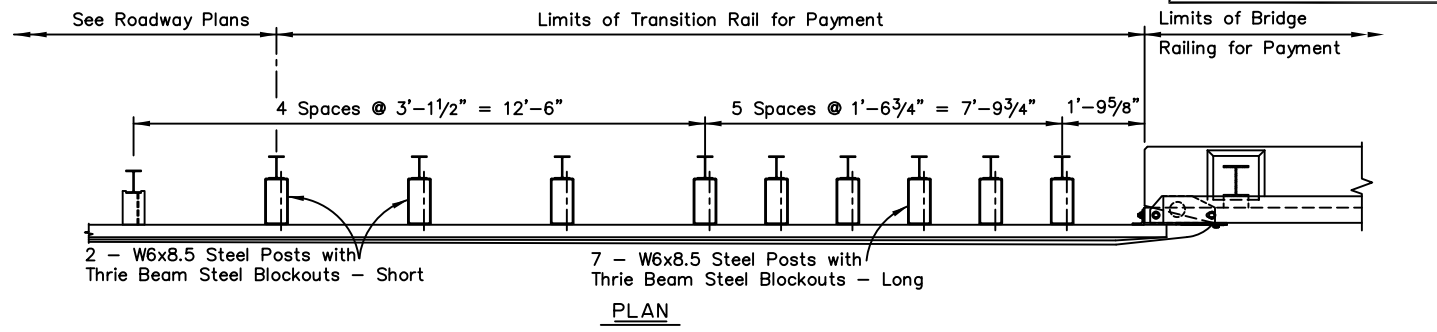


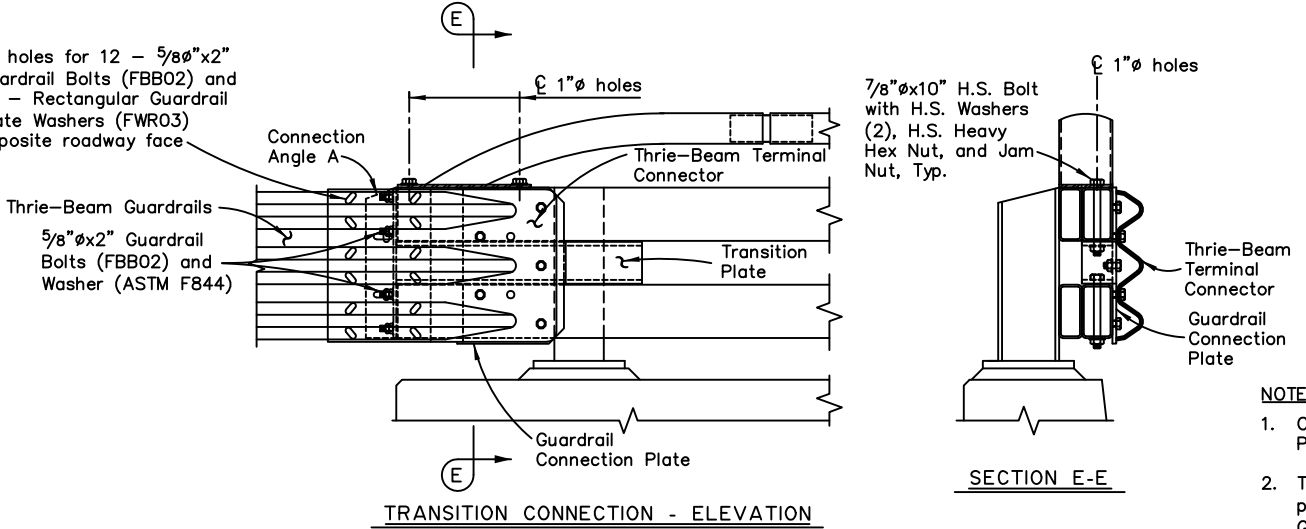
THRIE BEAM STEEL BLOCKOUT - SHORT



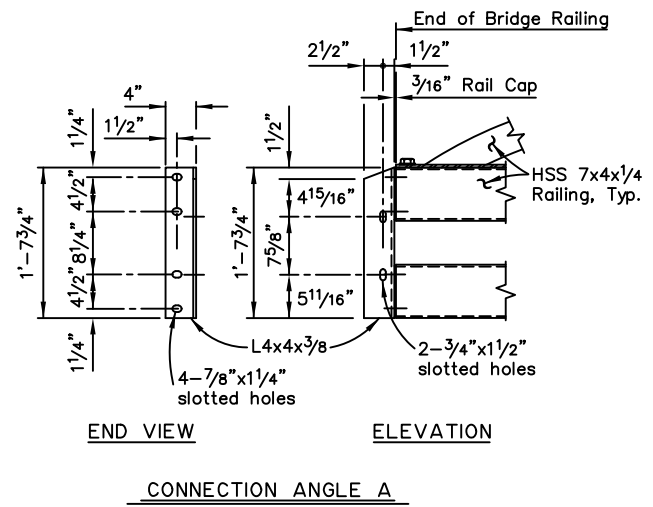
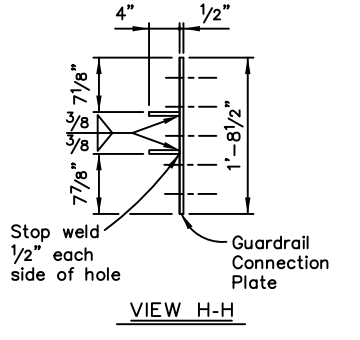
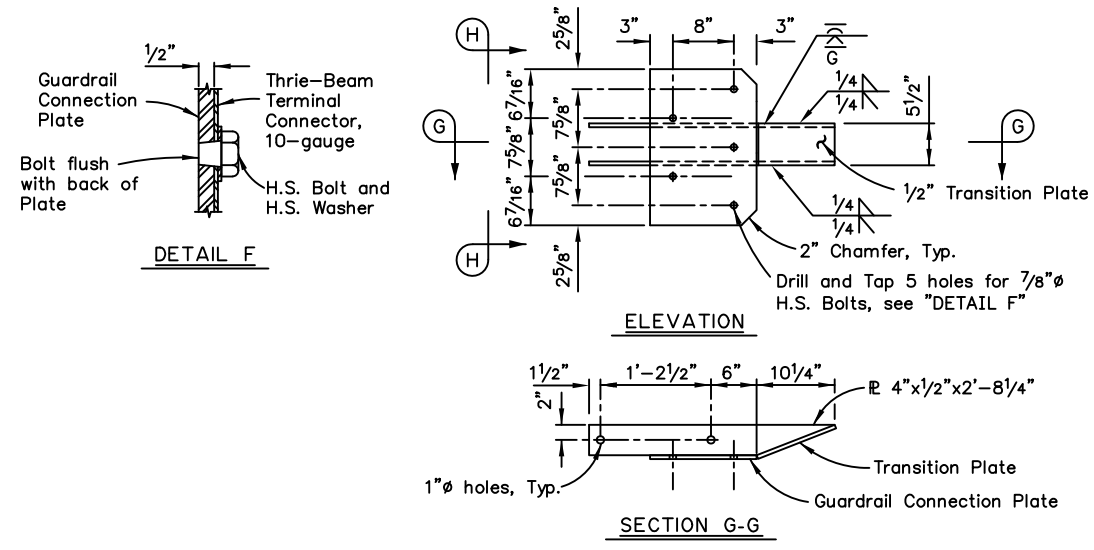
THRIE BEAM STEEL BLOCKOUT - LONG



12 holes for 12 - 5/8" x 2" Guardrail Bolts (FBB02) and 12 - Rectangular Guardrail Plate Washers (FWR03) opposite roadway face



- NOTES:**
- Conform to G-00, G-05 and G-10 of the Standard Plans for all Thrie Beam Transition details not shown.
 - Thrie Beam Transition part numbers are listed in parentheses and referenced in the "Task Force 13 Guide to Standardize Roadside Hardware."
 - Contractor to select the Thrie-Beam Terminal Connector Original, Alternate 1 (Shown), or Alternate 2 that fits over and under the Nested Thrie-Beam Guardrail components without field modifications.
 - Recessed Guardrail Nuts on all 5/8" Bolts unless otherwise indicated.



No Scale

State of Alaska DOT&PF
ALASKA STANDARD PLAN
MASH 3-TUBE BRIDGE RAIL
THRIE BEAM TRANSITION

DocuSigned by:
Adopted as an Alaska Standard Plan by:
087718E00CC647E...
Lauren Little, P.E.
Chief Engineer

Adoption Date: 04/04/2025
Last Code and Stds. Review By: SEM Date: 04/04/2025
Next Code and Standards Review Date: 04/04/2035