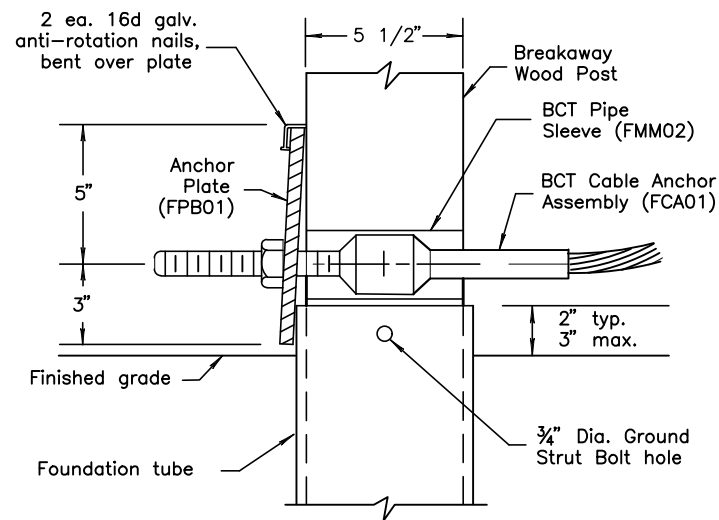
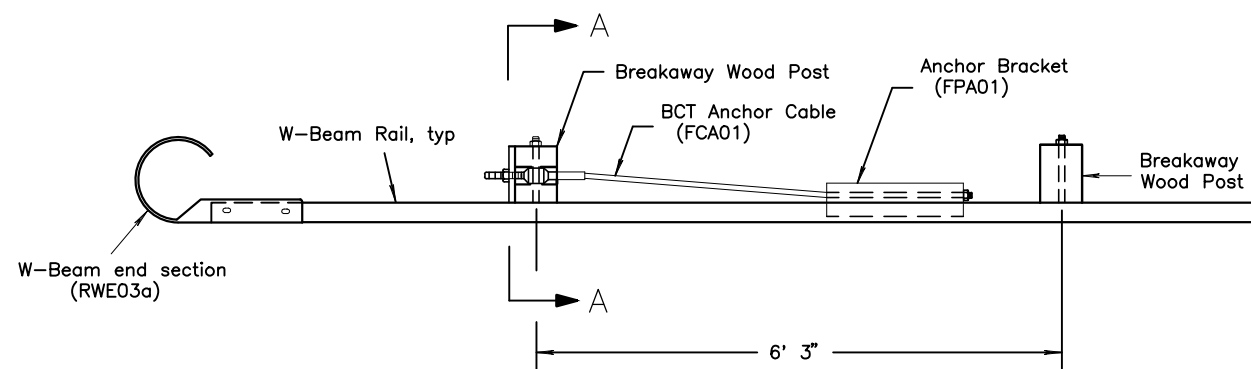


ELEVATION

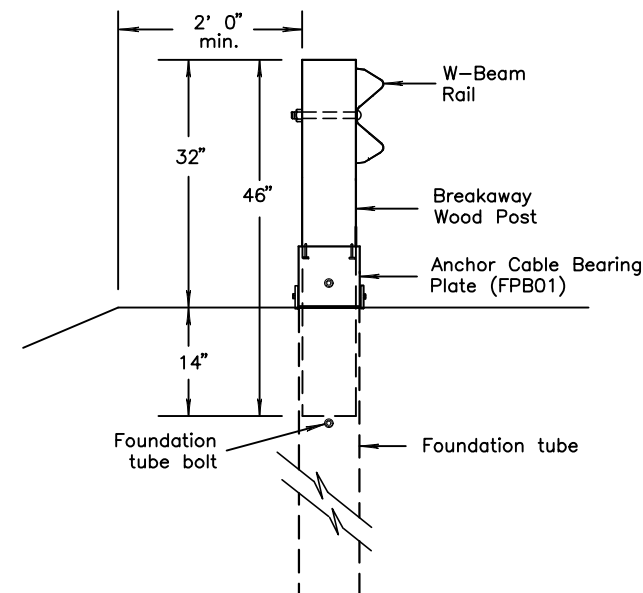


DETAIL 1

(Ground strut not shown for clarity)



PLAN VIEW



SECTION A-A

CONSTRUCTION NOTES

1. All covered hardware must comply with Task Force 13 (TF13) Guide to Standardized Roadside Safety Hardware online publication. Designators are given in parenthesis, when possible.
2. End section bolts and nuts have the same material requirements as splice bolts.
3. Foundation tube bolts are are 7/8" diameter ASTM A307 hex head. Foundation tube bolts require an ASTM A563 A nut and two ASTM F844 7/8" diameter flat washers. Install one washer under bolt head and one under nut.
4. Anchor bracket and strut bolts are are 5/8" diameter ASTM A307 hex head. Foundation tube bolts require ASTM A563 A nut and two ASTM F844 7/8" diameter flat washers. Install one washer under bolt head and one under nut.

State of Alaska DOT&PF
ALASKA STANDARD PLAN

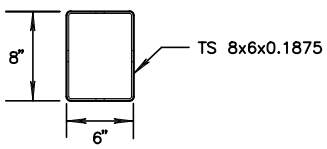
W31 DOWNSTREAM
END ANCHOR

Adopted as an Alaska Standard Plan by: *Carolyn Morehouse*
Carolyn Morehouse, P.E.
Chief Engineer

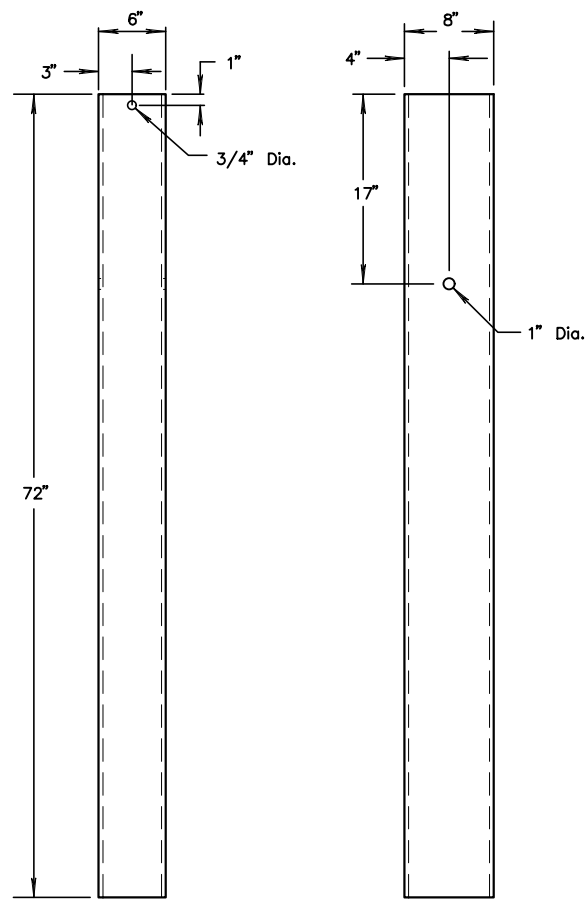
Adoption Date: 7/17/2020

Last Code and Stds. Review
By: KLK Date: 7/8/2020

Next Code and Standards Review Date: 7/8/2030



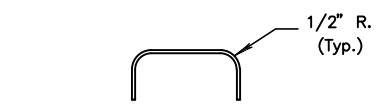
PLAN VIEW



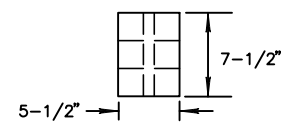
FRONT VIEW

SIDE VIEW

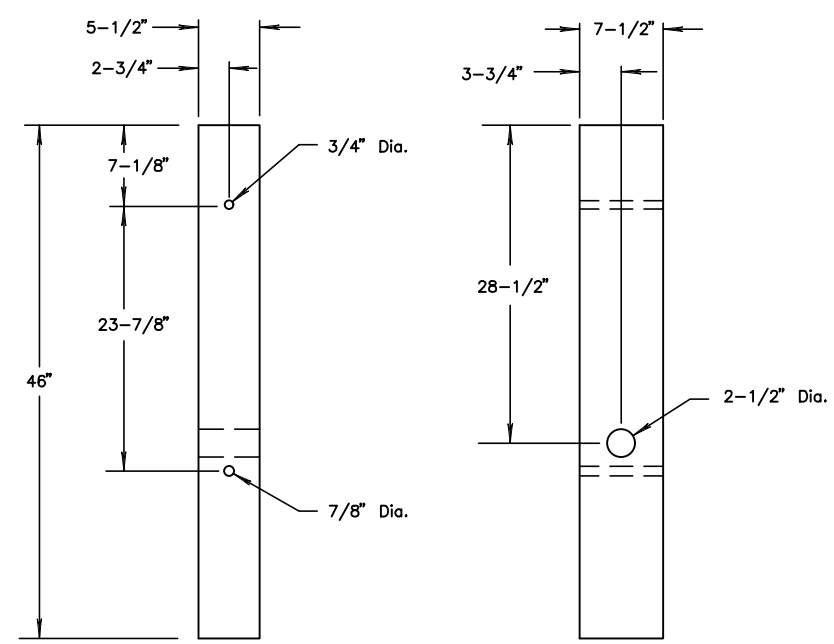
FOUNDATION TUBE



GROUND STRUT SECTION



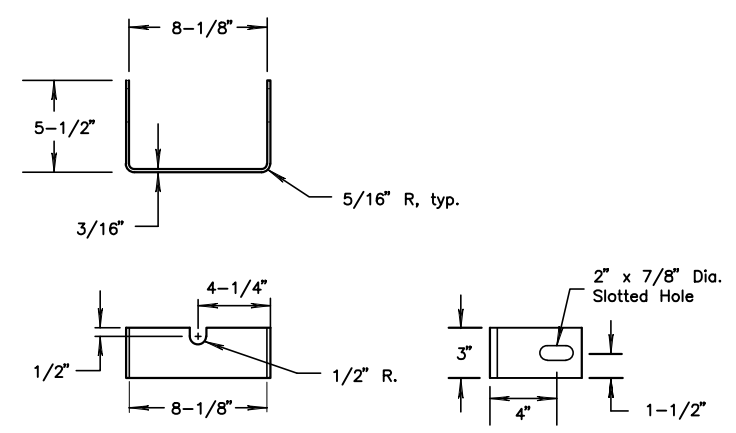
PLAN VIEW



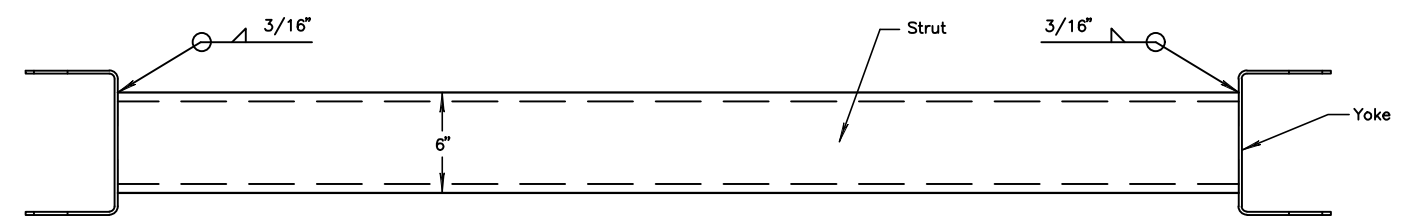
FRONT VIEW

SIDE VIEW

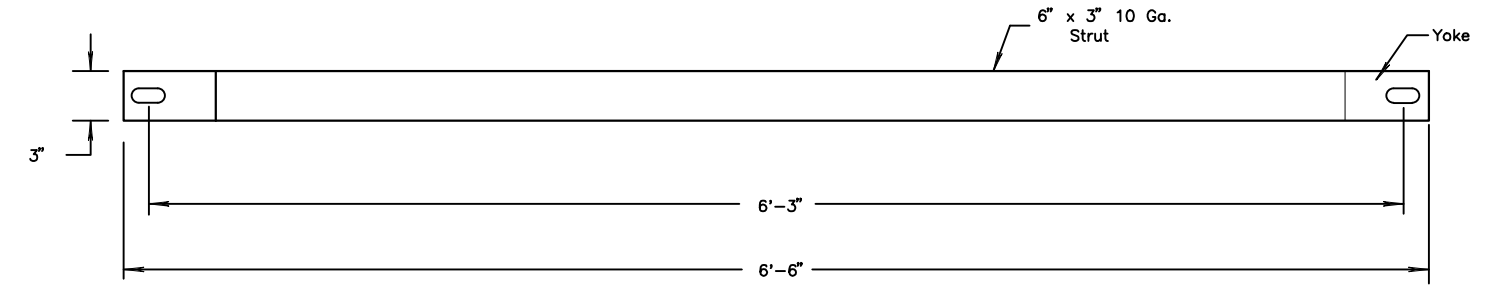
BREAKAWAY WOOD POST



YOKE DETAIL



PLAN VIEW



FRONT VIEW

GROUND STRUT DETAIL

CONSTRUCTION NOTES

- All covered hardware must comply with Task Force 13 (TF13) Guide to Standardized Roadside Safety Hardware online publication. Designators are given in parenthesis, when possible.

State of Alaska DOT&PF
ALASKA STANDARD PLAN

W31 DOWNSTREAM
END ANCHOR

Adopted as an Alaska Standard Plan by: *Carolyn Morehouse*
Carolyn Morehouse, P.E.
Chief Engineer

Adoption Date: 7/17/2020

Last Code and Stds. Review
By: KLK Date: 7/8/2020

Next Code and Standards Review Date: 7/8/2030

G-14.01