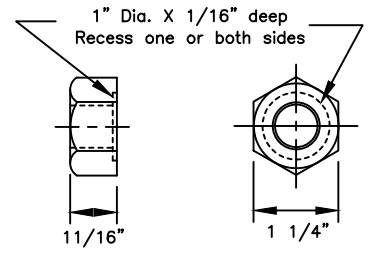
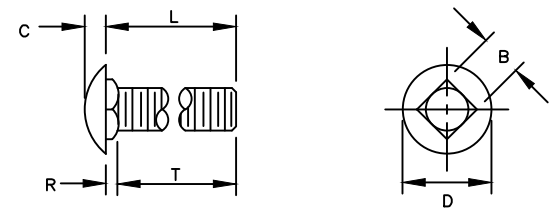


B	C	D	L (Length)	R	T (Thread Length)
15/16"	5/16"	1 5/16" or 1 7/16"	As Required	7/32"	As Required

5/8" BUTTONHEAD BOLT  
(FBB01-05)

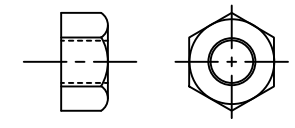


5/8" Dia. RECESSED HEX NUT  
(FBB01-05)



B	C	D	L (Length)	R	T (Thread Length)
5/8"	5/16"	1 5/16"	As Required	3/16"	As Required

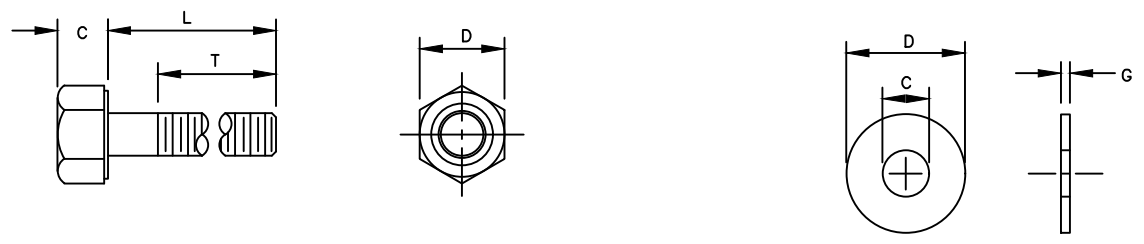
5/8" Dia. CARRIAGE BOLT  
(FBC10-20)



STANDARD HEX NUT

**GENERAL NOTES:**

- All covered hardware shall comply with the Task Force 13 (TF13) Guide to Standardized Roadside Safety Hardware online publication. Designators given when possible in parentheses.

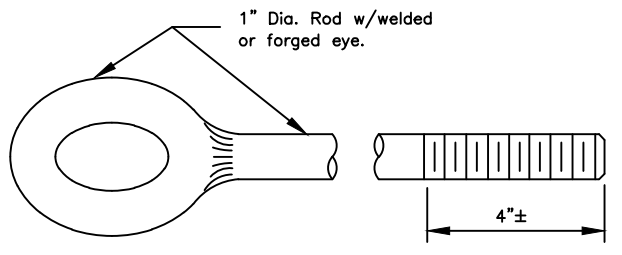


Bolt Size	C	D	L (Length)	T (Thread Length)
5/16"	—	—	1 1/2"	7/8"
5/16"	—	—	1"	1"
3/8"	—	—	7 1/2"	1 1/2"
1/2"	—	—	1 1/2"	1 1/2"
1/2"	—	—	1 1/4"	1 1/4"
5/8" H.S.	5/16"	7/8"	8"	1 1/2"
5/8"-11	—	—	1 1/2"	1 1/2"
3/4"	—	—	1 1/2"	1 1/2"
3/4"	—	—	As Required	2"
3/4" H.S.	15/32"	1 1/4"	2"	1 1/2"

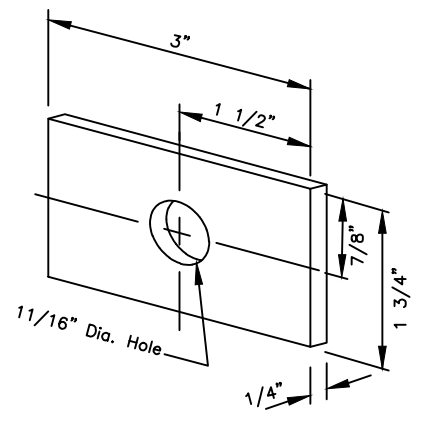
STANDARD HEX BOLTS

For Bolt #	C	D	G
3/8"	7/16"	1"	5/64"
1/2"	17/32"	1 1/16"	3/32"
1/2" H.S.	17/32"	1 1/16"	3/32"
5/8"	11/16"	1 3/4"	9/64"
3/4"	13/16"	1 15/32"	9/64"
3/4" H.S.	13/16"	2"	5/32"
1"	1 1/16"	2"	9/64"

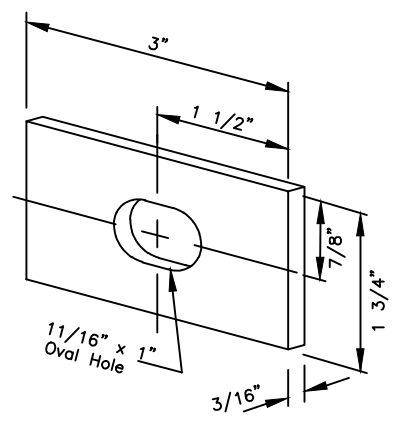
STANDARD STEEL WASHERS



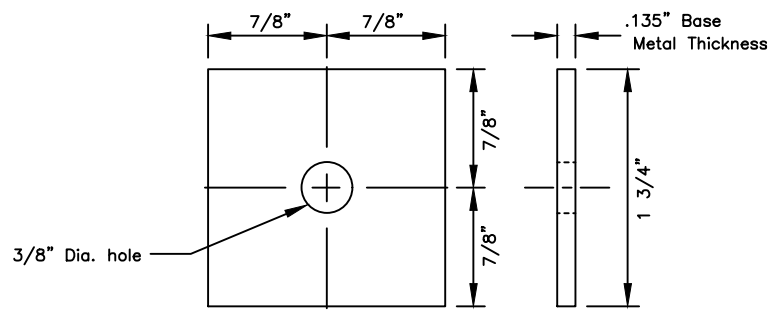
EYE BOLT



FLAT PLATE WASHER



RECTANGULAR POST BOLT WASHER  
(FWR03)



SQUARE STEEL WASHER  
(FWR01)

State of Alaska DOT&PF  
ALASKA STANDARD PLAN

STANDARD GUARDRAIL  
HARDWARE  
(NUTS, BOLTS & WASHERS)

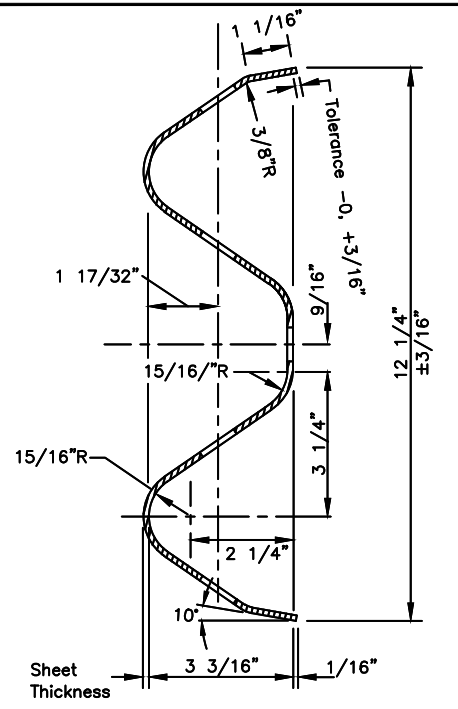
Adopted as an Alaska  
Standard Plan by: *Carolyn Morehouse*  
Carolyn Morehouse, P.E.  
Chief Engineer

Adoption Date: 7/17/2020

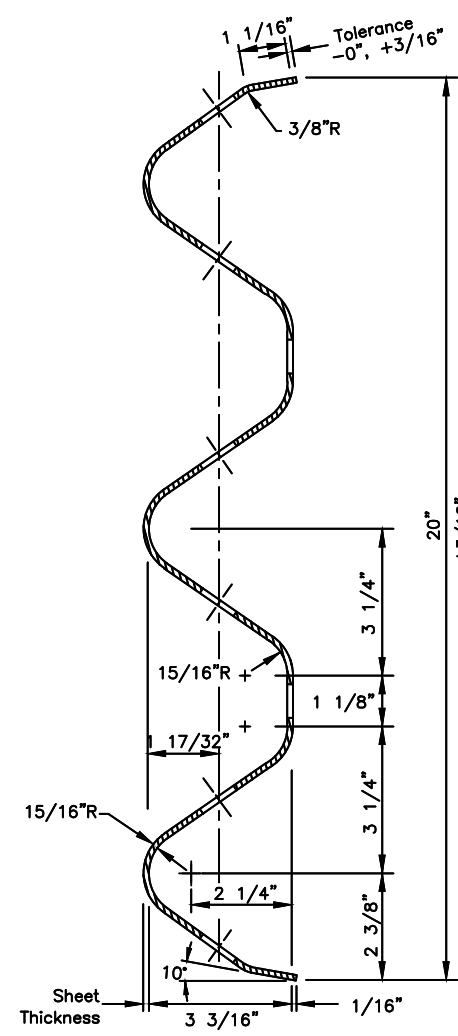
Last Code and Stds. Review  
By: KLK Date: 7/8/2020  
Next Code and Standards Review Date: 7/8/2030

**GENERAL NOTES:**

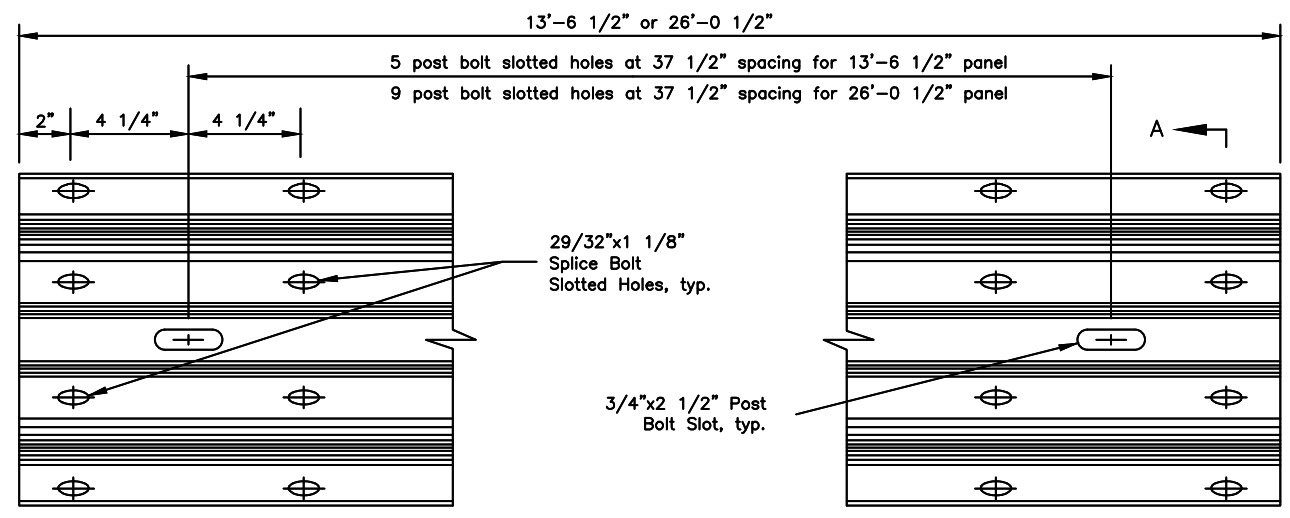
1. All covered hardware shall comply with the Task Force 13 (TF13) Guide to Standardized Roadside Safety Hardware online publication. Designators given when possible in parentheses.
2. Install back-up plates between blockouts and w-beam or thrie-beam rail at intermediate (non-splice) posts when steel blockouts are used but not with wood, rubber, plastic, or other approved blockouts.



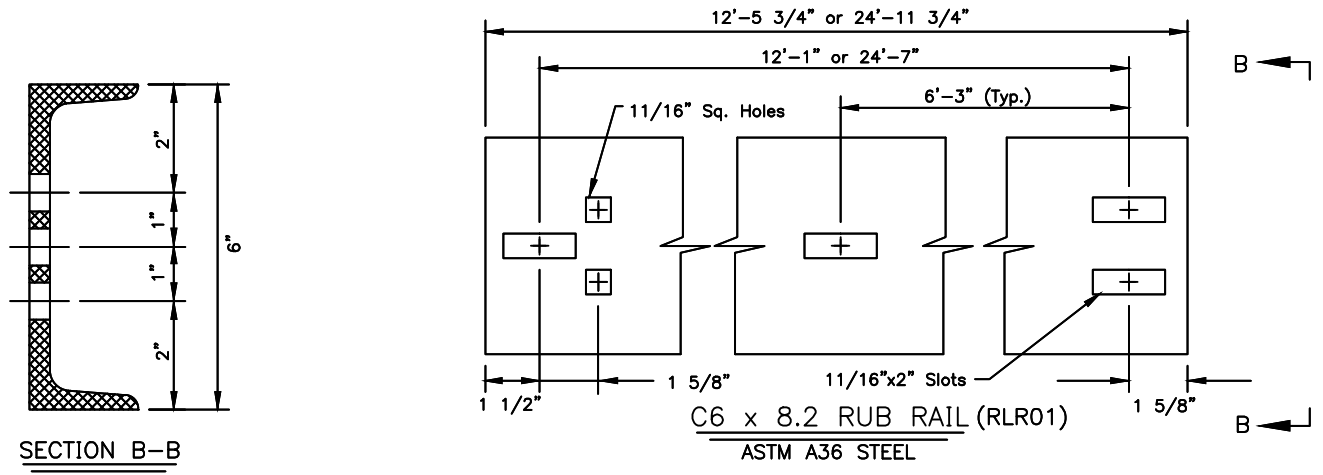
**SECTION A-A**  
(cross section same as RWM02a-b)



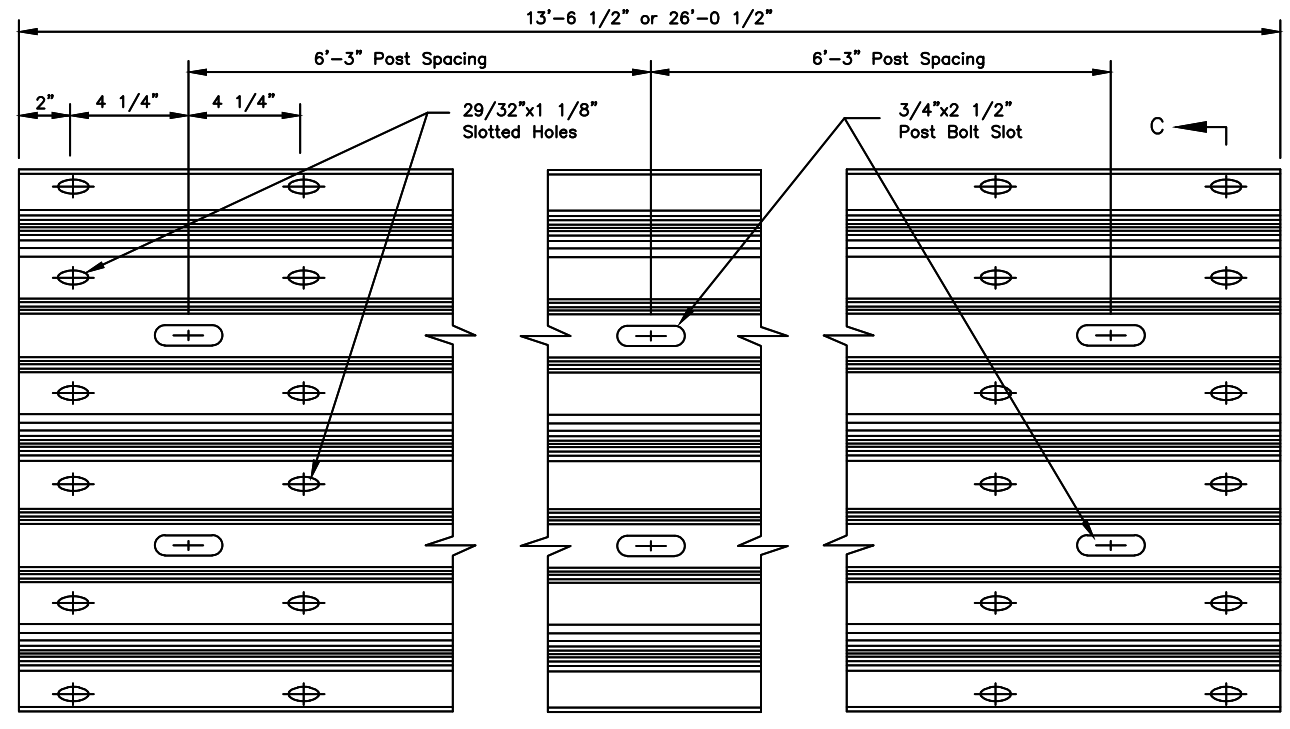
**SECTION C-C**  
(RTM01a-02b)



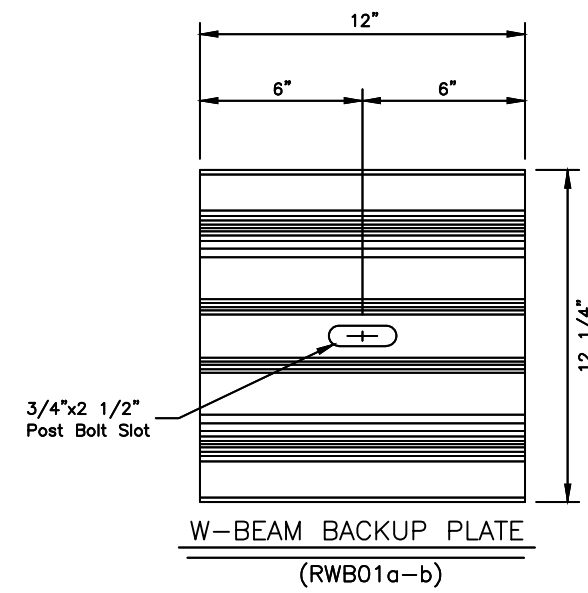
**STANDARD W-BEAM PANEL (RWM04a-b)**



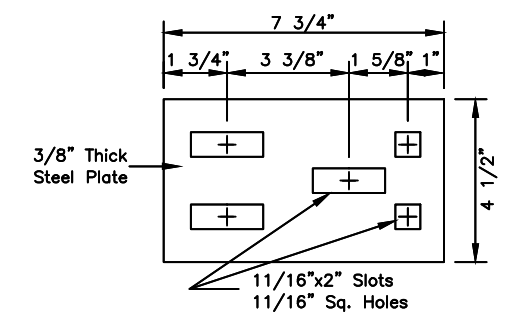
**C6 x 8.2 RUB RAIL (RLR01)**  
ASTM A36 STEEL



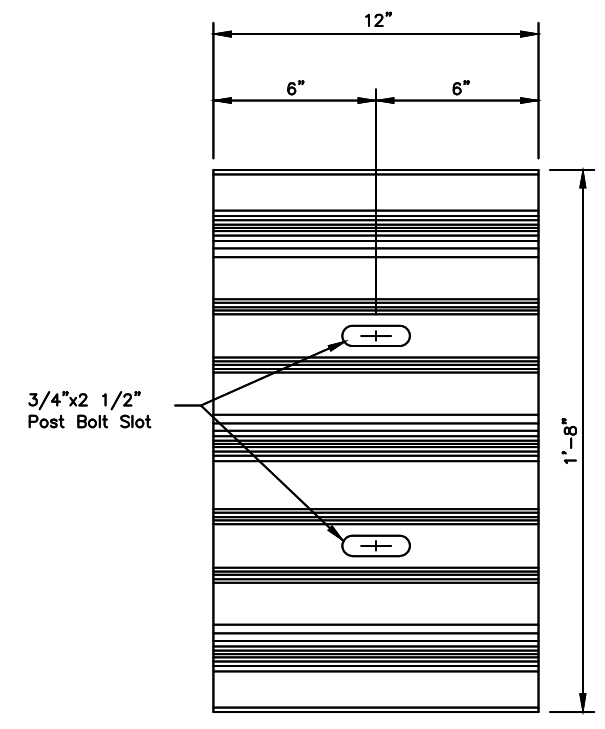
**STANDARD THRIE BEAM PANEL (RTM01a-02b)**



**W-BEAM BACKUP PLATE (RWB01a-b)**



**SPLICE PLATE (RLR01)**  
ASTM A36 STEEL



**THRIE BEAM BACKUP PLATE (RTB01a-02b)**

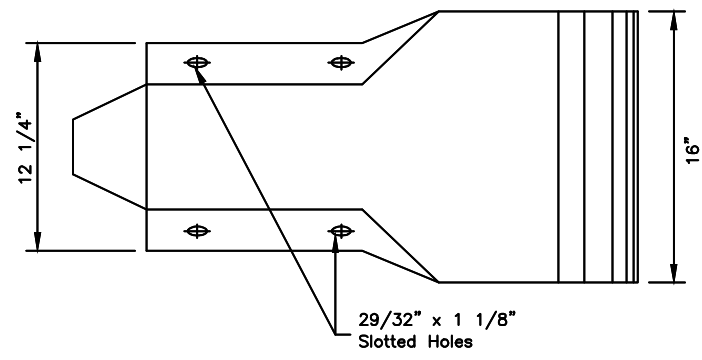
State of Alaska DOT&PF  
ALASKA STANDARD PLAN  
STANDARD GUARDRAIL  
HARDWARE  
(RAILS AND SPLICES)  
Adopted as an Alaska Standard Plan by: *Carolyn Morehouse*  
Carolyn Morehouse, P.E.  
Chief Engineer  
Adoption Date: 7/17/2020

Last Code and Stds. Review  
By: KLK Date: 7/8/2020  
Next Code and Standards Review Date: 7/8/2030

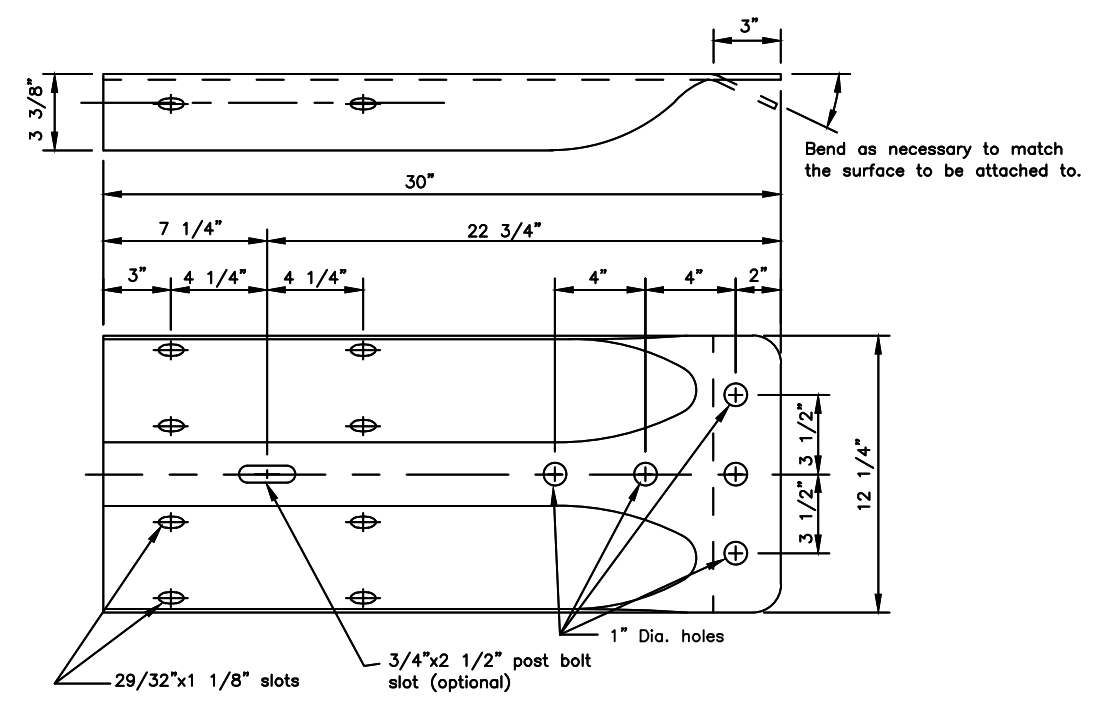
G-00.05

**GENERAL NOTES:**

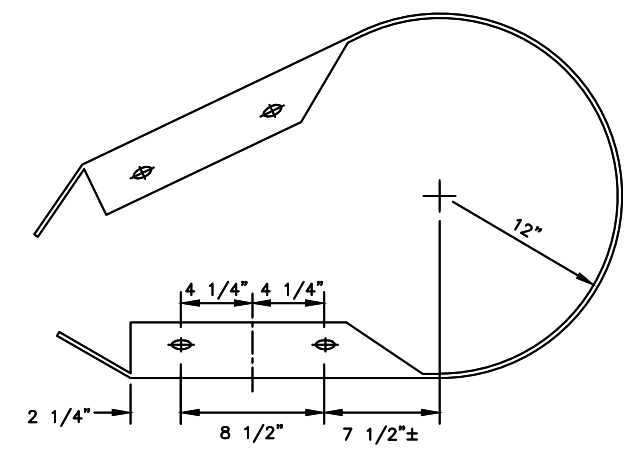
1. W-Beam and Thrie Beam Terminal Connectors shall conform to AASHTO M 180, Class B, Type II.
2. W-Beam end sections shall conform to AASHTO M 180, Class A, Type II.
3. All covered hardware shall comply with the Task Force 13 (TF13) Guide to Standardized Roadside Safety Hardware online publication. Designators given when possible in parentheses.



PROFILE

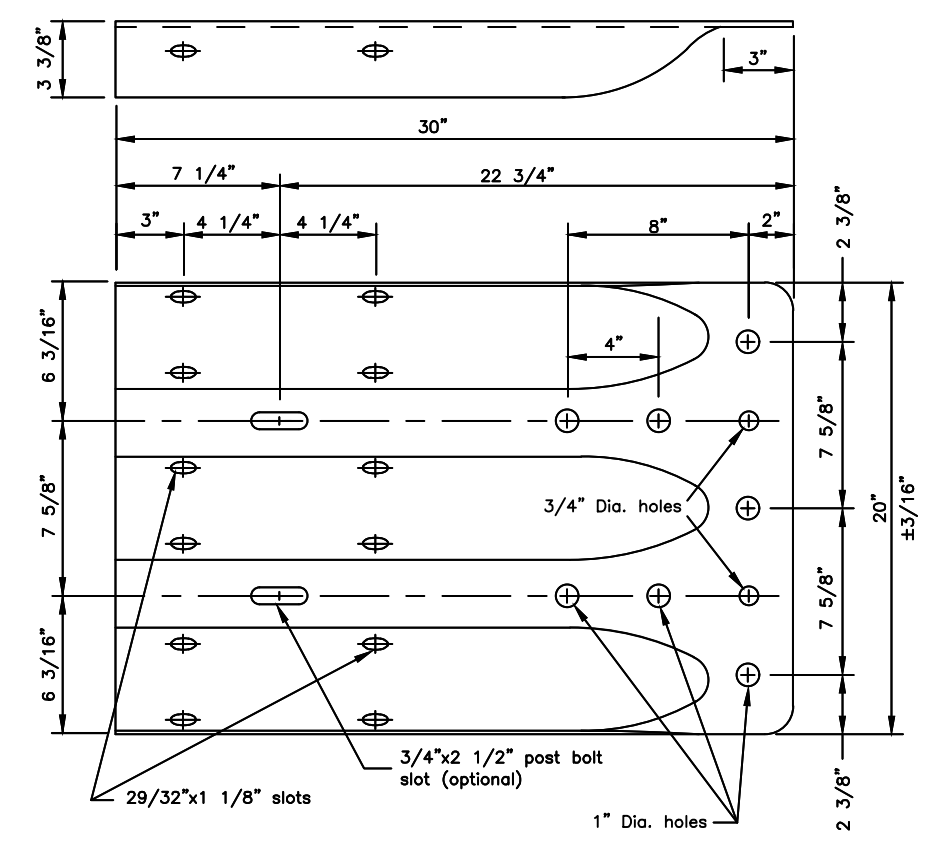


STANDARD W-BEAM TERMINAL CONNECTOR  
(RWE02)



W-BEAM PLAN VIEW  
\*Radius to be specified on the plans

STANDARD W-BEAM END SECTION  
(RWE06)



STANDARD THRIE BEAM TERMINAL CONNECTOR  
(RTE01b)

State of Alaska DOT&PF  
ALASKA STANDARD PLAN

STANDARD GUARDRAIL  
HARDWARE  
(TERMINAL CONNECTORS)

Adopted as an Alaska Standard Plan by: *Carolyn Morehouse*  
Carolyn Morehouse, P.E.  
Chief Engineer

Adoption Date: 7/17/2020

Last Code and Stds. Review  
By: KLK Date: 7/8/2020  
Next Code and Standards Review Date: 7/8/2030

G-00.05



