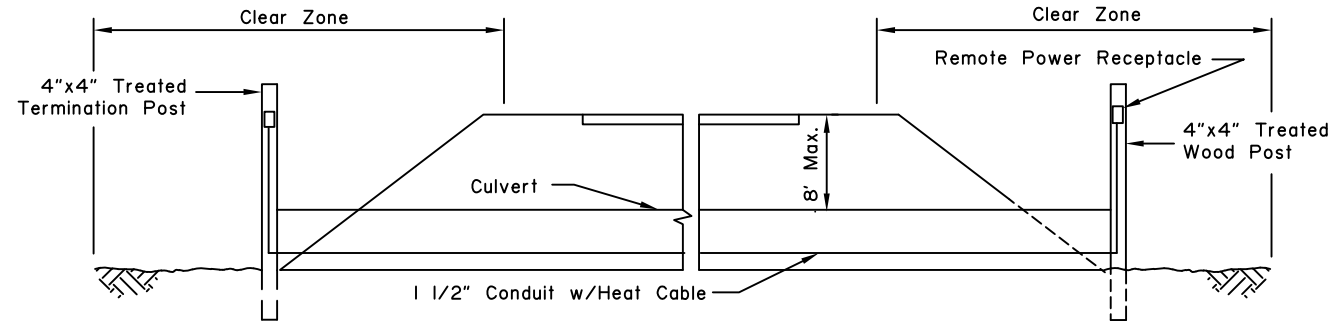
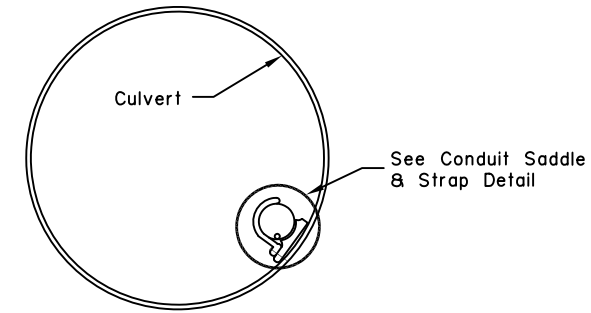


GENERAL NOTES:

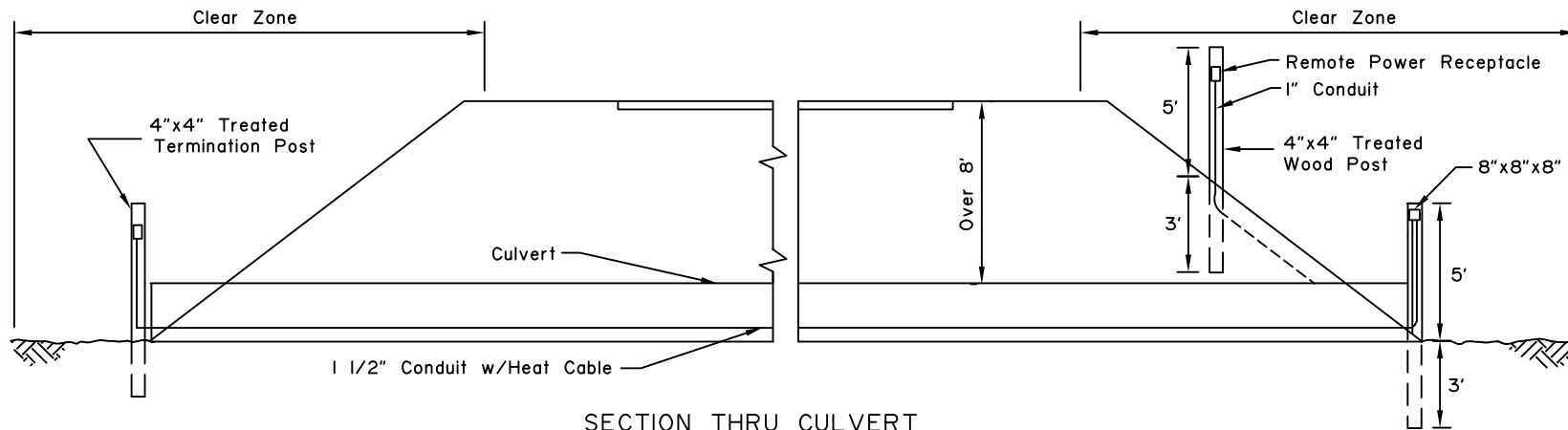
- Type FD Cast Device Box w/green pilot light shall be located a minimum of 6" above high water.



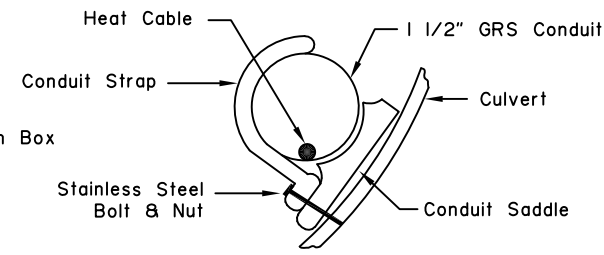
SECTION THRU CULVERT
(Low Fill)



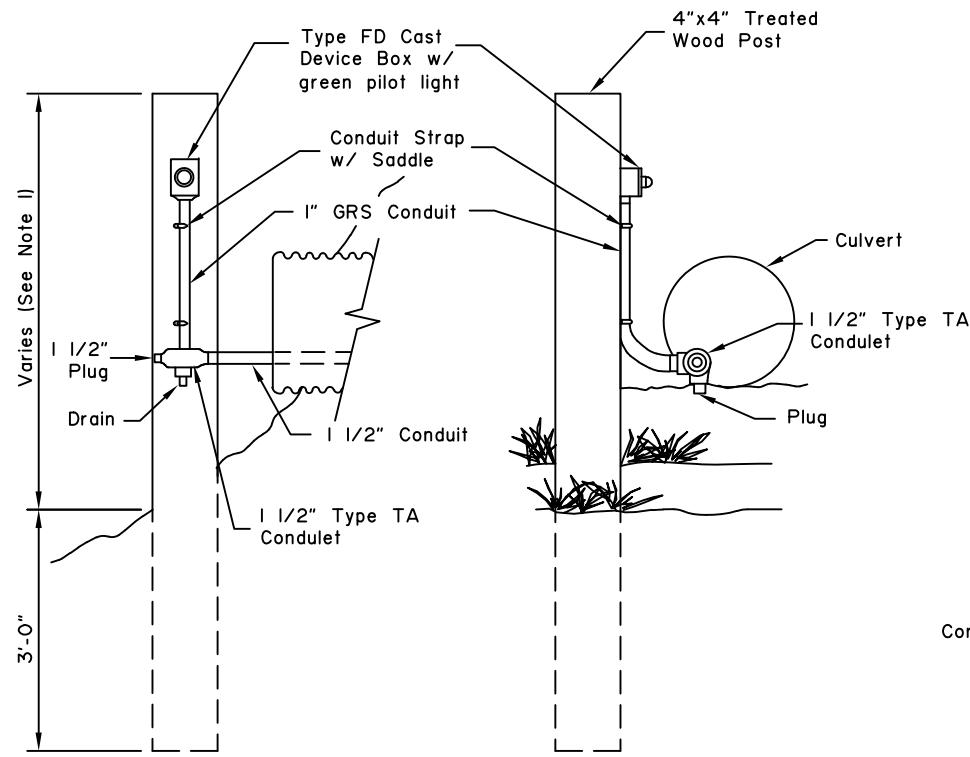
CULVERT CROSS SECTION



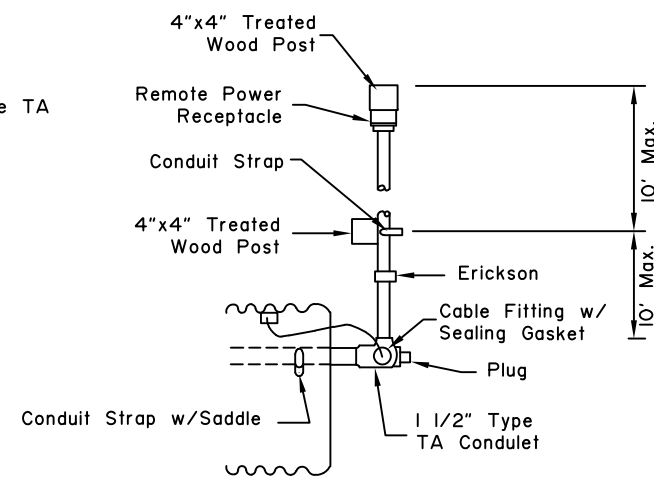
SECTION THRU CULVERT
(High Fill)



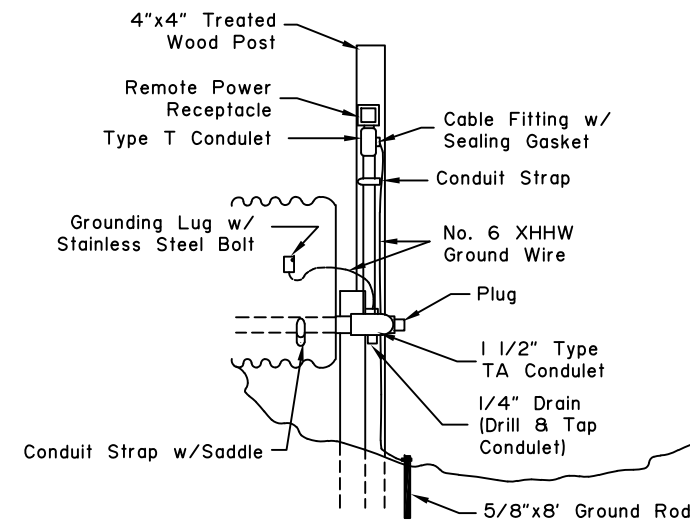
CONDUIT SADDLE &
STRAP DETAIL



FRONT VIEW PROFILE VIEW
TERMINATION POST DETAIL



PLAN VIEW



ELEVATION

REMOTE CULVERT ENTRY DETAIL

State of Alaska DOT&PF
ALASKA STANDARD PLAN
REMOTE THAW WIRE
INSTALLATION

Adopted as an Alaska Standard Plan by: *Kenneth J. Fisher*
Kenneth J. Fisher, P.E.
Chief Engineer

Adoption Date: 02/08/2019

Last Code and Stds. Review By: Date:

Next Code and Standards Review date: 02/08/2029