

ADJACENT PROPERTY OWNERS:
 STATE OF ALASKA
 ALASKA DEPARTMENT OF NATURAL
 RESOURCES

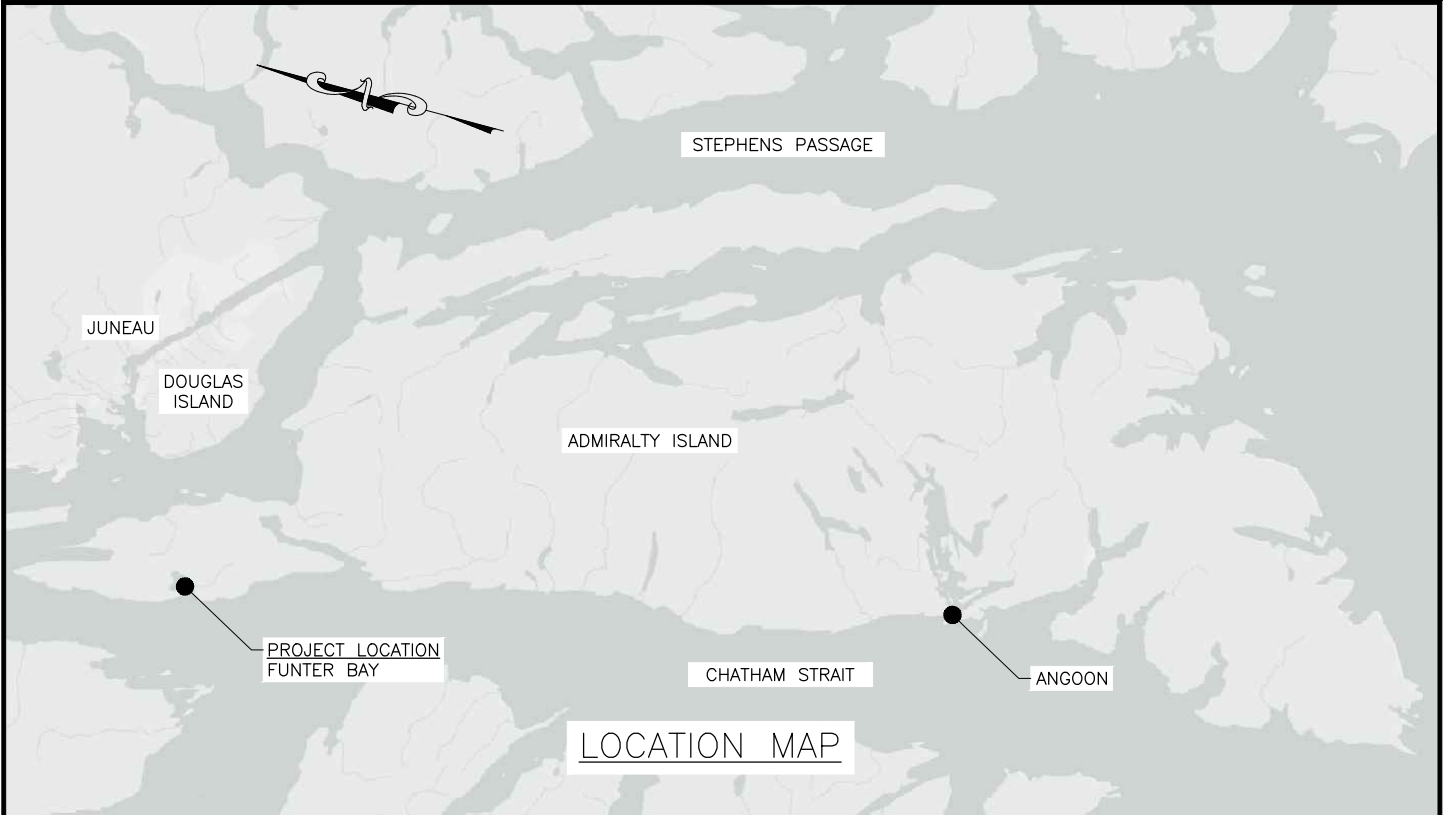
WATER BODIES:
 FUNTER BAY, LYNN CANAL

KEY AND REGIONAL MAPS

APPLICATION BY:
 ALASKA DEPARTMENT OF TRANSPORTATION AND
 PUBLIC FACILITIES
 DESIGN & ENGINEERING SERVICES DIVISION
 SOUTHCOAST REGION

FUNTER BAY CANNERY
 FLOAT FACILITY REPAIRS
 PROJECT NO. SHARB00651
AT: FUNTER BAY, ALASKA
LOCATED IN: TOWNSHIP 42S,
 RANGE 64E, SECTION 02
 COPPER RIVER MERIDIAN

DATE: March 2026 **SHEET** 1 **OF** 7

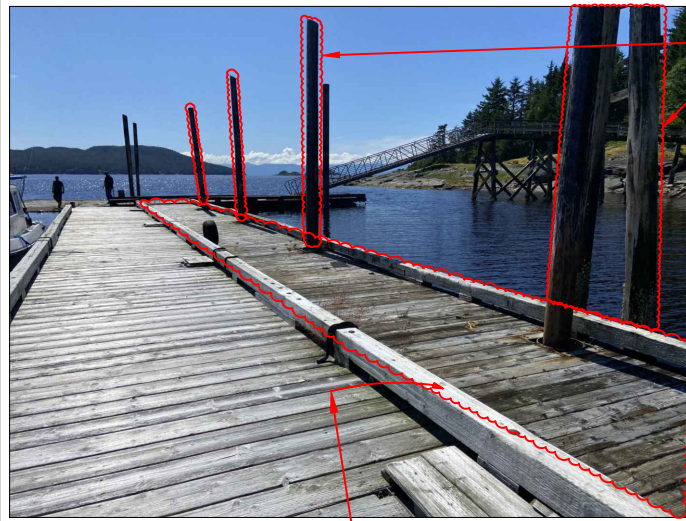


ADJACENT PROPERTY OWNERS:
 STATE OF ALASKA
 ALASKA DEPARTMENT OF NATURAL RESOURCES

WATER BODIES:
 FUNTER BAY, LYNN CANAL

VICINITY AND
 LOCATION MAPS
 APPLICATION BY:
 ALASKA DEPARTMENT OF TRANSPORTATION AND
 PUBLIC FACILITIES
 DESIGN & ENGINEERING SERVICES DIVISION
 SOUTHCOAST REGION

FUNTER BAY CANNERY
 FLOAT FACILITY REPAIRS
 PROJECT NO. SHARB00651
 AT: FUNTER BAY, ALASKA
 LOCATED IN: TOWNSHIP 42S,
 RANGE 64E, SECTION 02
 COPPER RIVER MERIDIAN
 DATE: March 2026 SHEET **2** OF **7**



REMOVE (6) EXISTING TIMBER PILES, TYP.

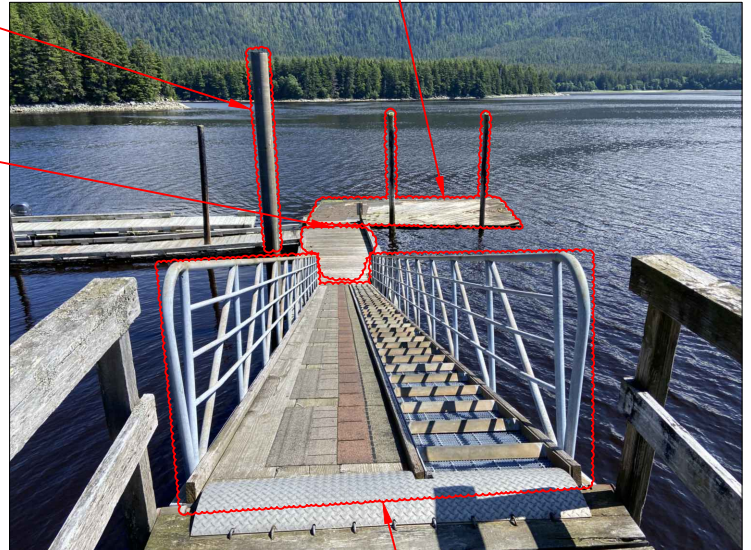
REMOVE & DISPOSE
10' X 100' FLOAT

REMOVE & DISPOSE EXISTING
24' X 36' SEAPLANE FLOAT
& (2) TIMBER PILES

RELOCATE 10' X 125' FLOAT
W/ (5) NEW STEEL PILES

REMOVE & DISPOSE
EXISTING STEEL PILE

REMOVE & REPLACE EXISTING 10' X 50'
FLOAT W/ NEW TIMBER 10' X 50'
FLOAT & (2) STEEL PILES



REFURBISH EXISTING
6' X 50' GANGWAY

REFURBISH 6' X 119' APPROACH



ADJACENT PROPERTY OWNERS:
STATE OF ALASKA
ALASKA DEPARTMENT OF NATURAL RESOURCES

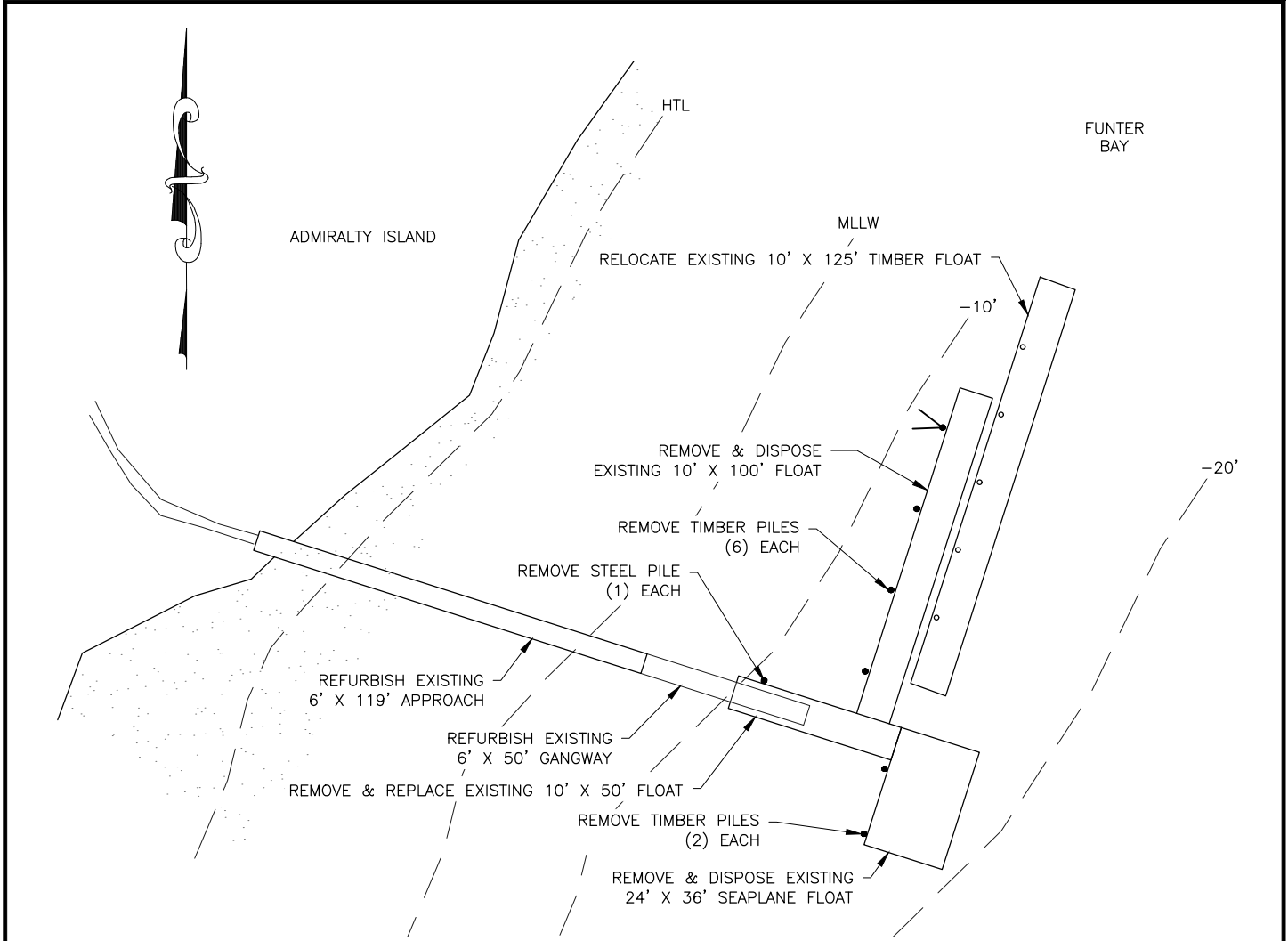
WATER BODIES:
FUNTER BAY, LYNN CANAL

REFERENCE IMAGES

APPLICATION BY:

ALASKA DEPARTMENT OF TRANSPORTATION AND
PUBLIC FACILITIES
DESIGN & ENGINEERING SERVICES DIVISION
SOUTHCOAST REGION

FUNTER BAY CANNERY
FLOAT FACILITY REPAIRS
PROJECT NO. SHARB00651
AT: FUNTER BAY, ALASKA
LOCATED IN: TOWNSHIP 42S,
RANGE 64E, SECTION 02
COPPER RIVER MERIDIAN
DATE: March 2026 SHEET **3** OF **7**



PILE INFORMATION						
STRUCTURE	EXISTING PILES			NEW PILES		
	MATERIAL	DIAMETER	QUANTITY	MATERIAL	DIAMETER	QUANTITY
EXISTING 10' X 50' FLOAT	STEEL	12"	1	STEEL	12-3/4"	3
EXISTING SEAPLANE FLOAT	TIMBER	12"	2	-	-	-
EXISTING 10' X 100' FLOAT	TIMBER	12"	6	-	-	-
RELOCATED 10' X 125' FLOAT	-	-	0	STEEL	12-3/4"	6

ADJACENT PROPERTY OWNERS:
STATE OF ALASKA
ALASKA DEPARTMENT OF NATURAL RESOURCES

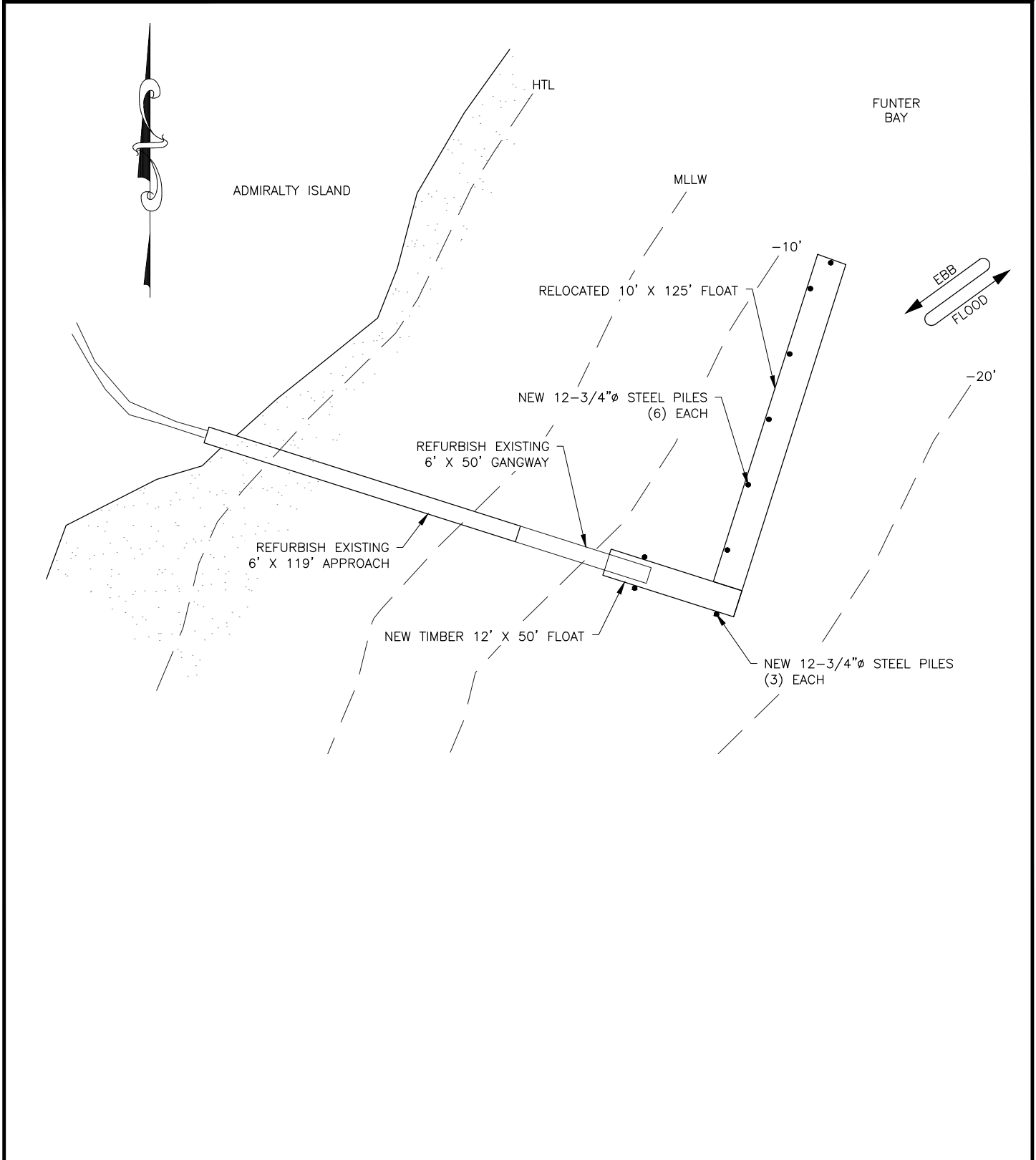
WATER BODIES:
FUNTER BAY, LYNN CANAL

EXISTING SITE PLAN AND
DEMOLITION PLAN
APPLICATION BY:

ALASKA DEPARTMENT OF TRANSPORTATION AND
PUBLIC FACILITIES
DESIGN & ENGINEERING SERVICES DIVISION
SOUTHCOAST REGION

FUNTER BAY CANNERY FLOAT
FACILITY REPAIRS
PROJECT NO. SHARB00651
AT: FUNTER BAY, ALASKA
LOCATED IN: TOWNSHIP 42S,
RANGE 64E, SECTION 02
COPPER RIVER MERIDIAN

DATE: March 2026 SHEET **4** OF **7**



ADJACENT PROPERTY OWNERS:
 STATE OF ALASKA
 ALASKA DEPARTMENT OF NATURAL RESOURCES

WATER BODIES:
 FUNTER BAY, LYNN CANAL

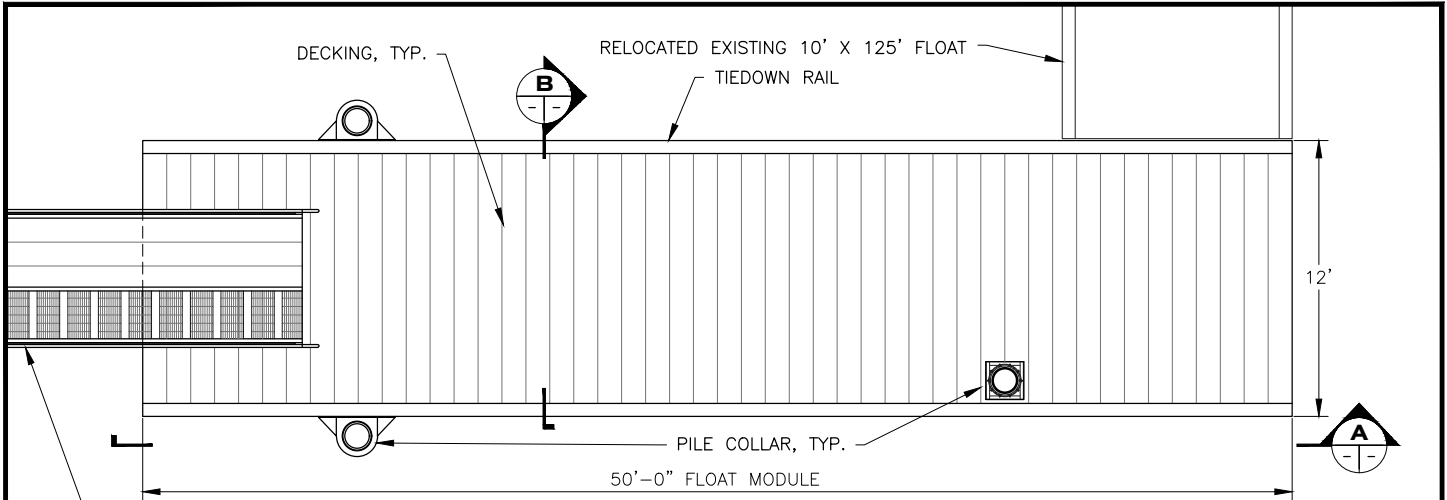
NEW SITE PLAN

APPLICATION BY:
 ALASKA DEPARTMENT OF TRANSPORTATION AND
 PUBLIC FACILITIES
 DESIGN & ENGINEERING SERVICES DIVISION
 SOUTHCOAST REGION

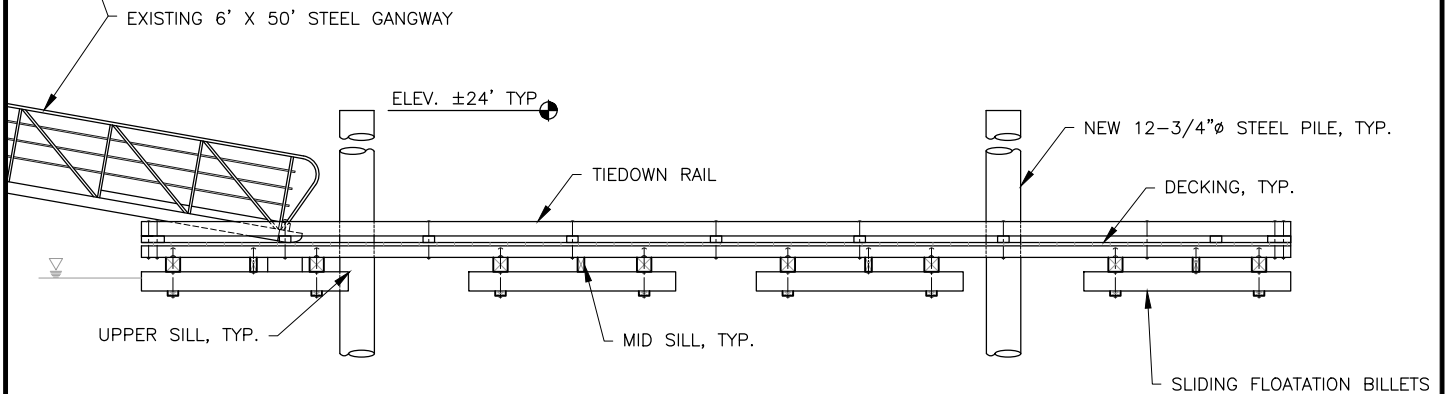
**FUNTER BAY CANNERY FLOAT
 FACILITY REPAIRS**
 PROJECT NO. SHARB00651

AT: FUNTER BAY, ALASKA
LOCATED IN: TOWNSHIP 42S,
 RANGE 64E, SECTION 02
 COPPER RIVER MERIDIAN

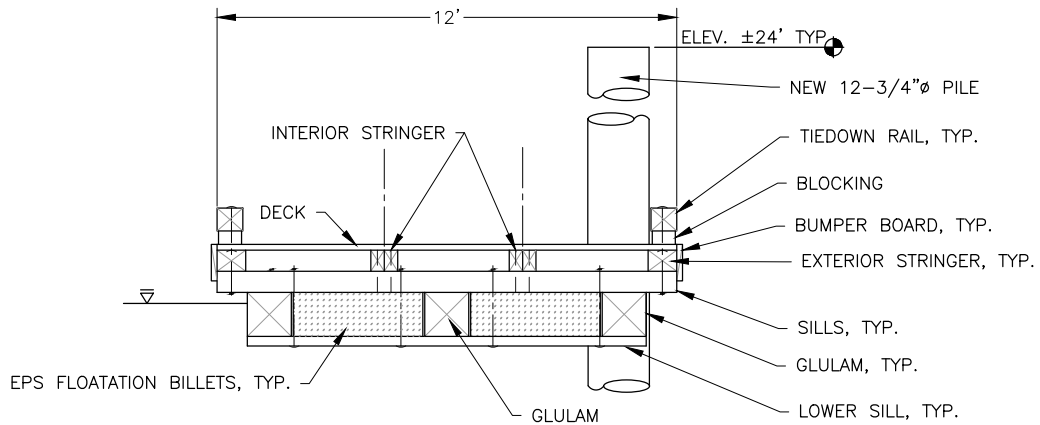
DATE: March 2026 SHEET **5** OF **7**



TYPICAL GANGWAY FLOAT PLAN



A GANGWAY FLOAT TYPICAL ELEVATION



B FLOAT SECTION

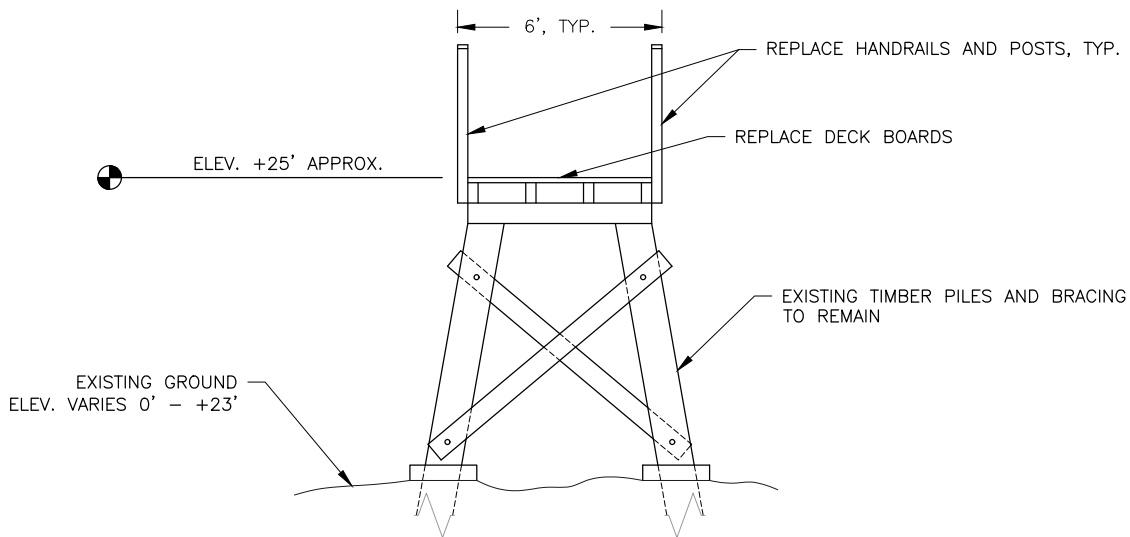
ADJACENT PROPERTY OWNERS:
STATE OF ALASKA
ALASKA DEPARTMENT OF NATURAL RESOURCES

WATER BODIES:
FUNTER BAY, LYNN CANAL

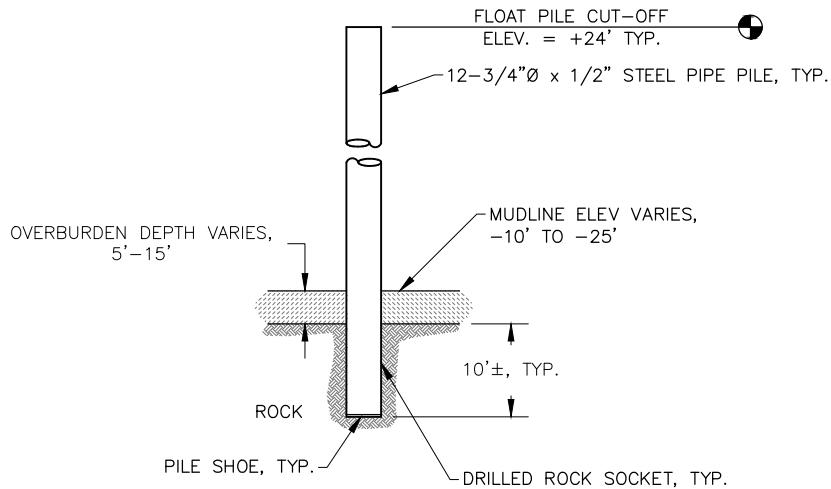
GANGWAY FLOAT TYPICAL PLAN AND ELEVATION

APPLICATION BY:
ALASKA DEPARTMENT OF TRANSPORTATION AND PUBLIC FACILITIES
DESIGN & ENGINEERING SERVICES DIVISION
SOUTHCOAST REGION

FUNTER BAY CANNERY
FLOAT FACILITY REPAIRS
PROJECT NO. SHARB00651
AT: FUNTER BAY, ALASKA
LOCATED IN: TOWNSHIP 42S,
RANGE 64E, SECTION 02
COPPER RIVER MERIDIAN
DATE: March 2026 SHEET **6** OF **7**



APPROACH REFURBISHMENT
TYPICAL SECTION



TYPICAL PILE SOCKET DETAIL
NTS

ADJACENT PROPERTY OWNERS:
STATE OF ALASKA
ALASKA DEPARTMENT OF NATURAL RESOURCES

WATER BODIES:
FUNTER BAY, LYNN CANAL

MISCELLANEOUS DETAILS

APPLICATION BY:

ALASKA DEPARTMENT OF TRANSPORTATION AND
PUBLIC FACILITIES
DESIGN & ENGINEERING SERVICES DIVISION
SOUTHCOAST REGION

FUNTER BAY CANNERY FLOAT
FACILITY REPAIRS
PROJECT NO. SHARB00651

AT: ####, ALASKA
LOCATED IN: TOWNSHIP 42S,
RANGE 64E, SECTION 02
COPPER RIVER MERIDIAN

DATE: March 2026 SHEET 7 OF 7