

STATE	PROJECT	SHEET NO.	TOTAL SHEETS
ALASKA	RS-0943 (13)	/	/

STATE OF ALASKA DEPARTMENT OF HIGHWAYS

PLAN AND PROFILE PROPOSED HIGHWAY PROJECT

PROJECT SUMMARY
Width of pavement 24'
Length of Project 32,134.08 = 6086 miles

RS-0943 (13) ZIMOVIA HIGHWAY PAVING AS BUILT PLANS

*Contractor: Red Samm Mining
Proj. Engr: D. DeKaser
Begin: 9-2-75
End: 5-20-76*

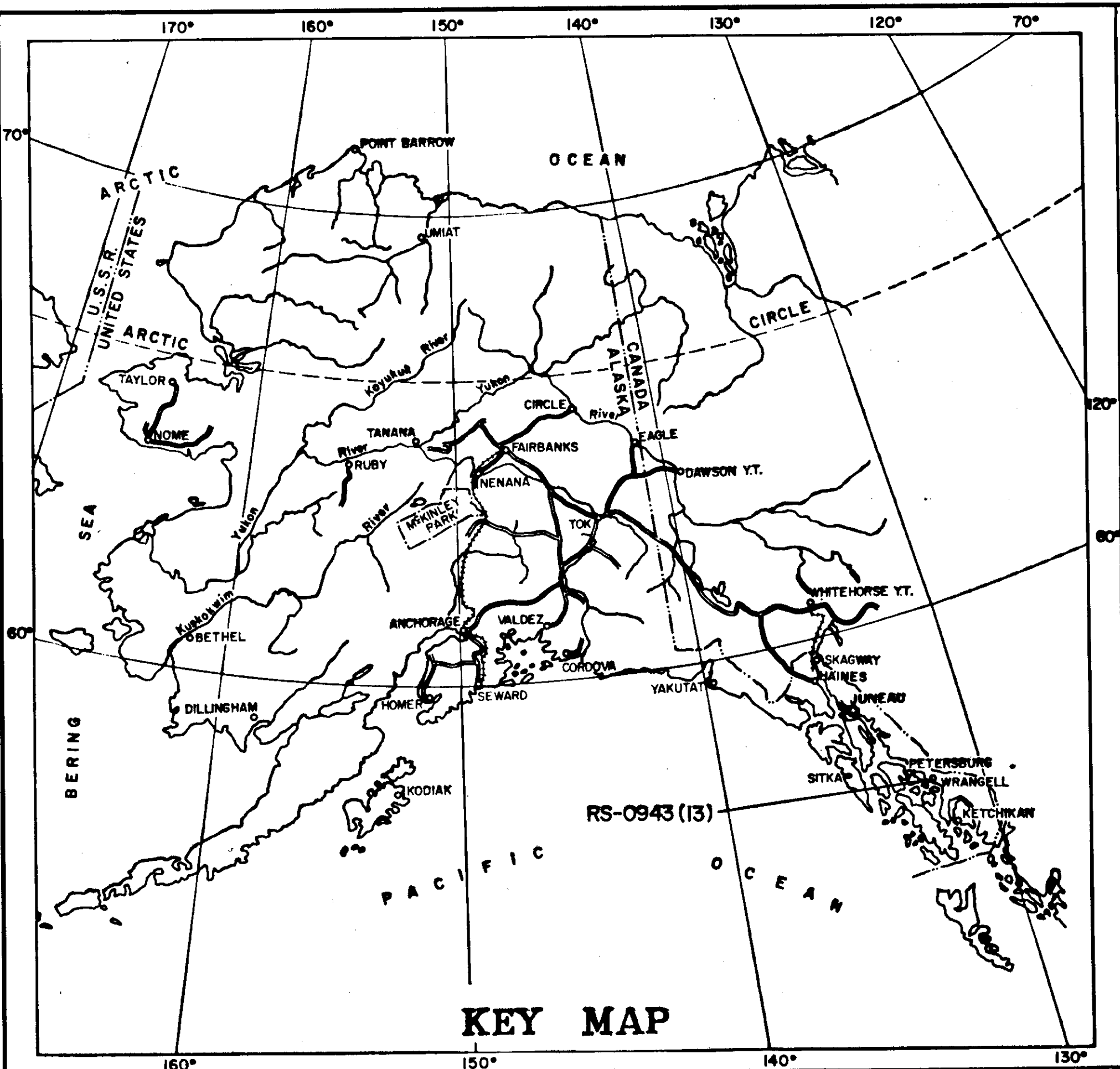
ESTIMATE OF QUANTITIES

ITEM NO.	ITEM	UNIT	QUANTITY
110(1)	Mobilization	L.S.	All Req'd
111(1)	Temporary Erosion and Pollution	C.S.	All Req'd
			-0-
113(1)	Flagging	M.H.	360 271.5
301(1) (1A)	Crushed Aggregate Base Course Grading "C"	Ton	1,021 1,065
401(1)	Hot Asphalt Pavement	Ton	8,588 8,088.83
401(2)	Asphalt Cement AR-10	Ton	636
402(2) (3)	CRS-2 Cationic Emulsified Asphalt for Tack Coat CSS-1	Ton	35 24.27
614(3)	Adjust Existing Monuments & Cases	Ea.	10

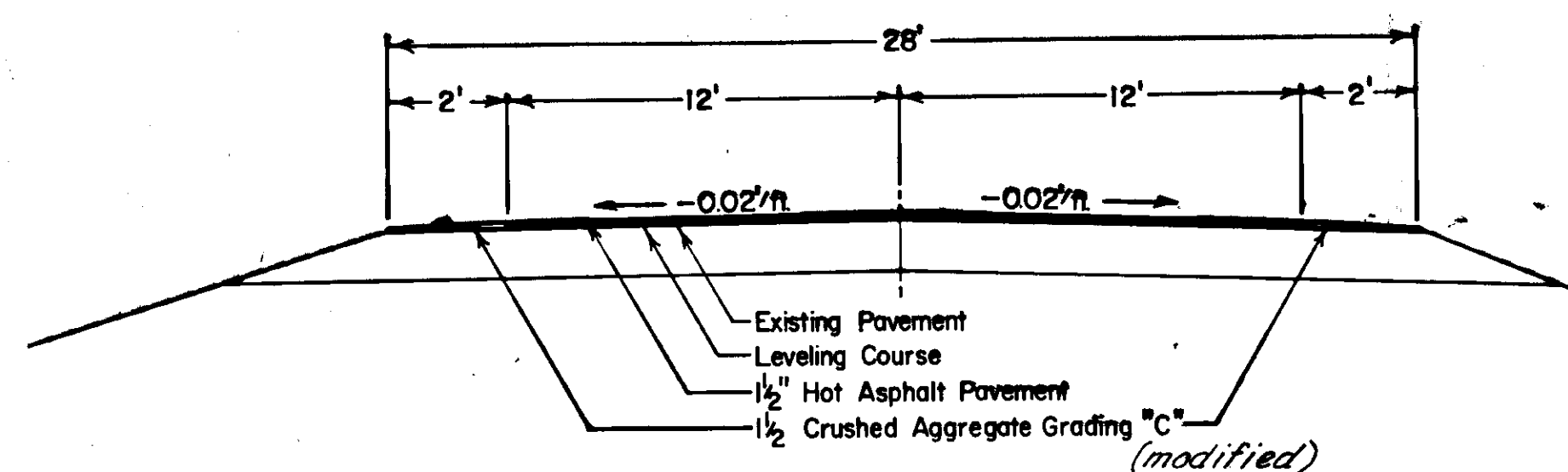
The following standard drawings shall apply to this project: C-00.01, C-10.00, C-11.01

BASIS OF ESTIMATE

ITEM NO.	ESTIMATING FACTOR
301(1)	1.96 Ton/C.Y.
401(1)	112 lbs/Sq.Yd.
401(2)	7.4% of 401(1) = 256 gal./Ton
402(2)	0.10 gal./Sq.Yd. = 253 gal./Ton



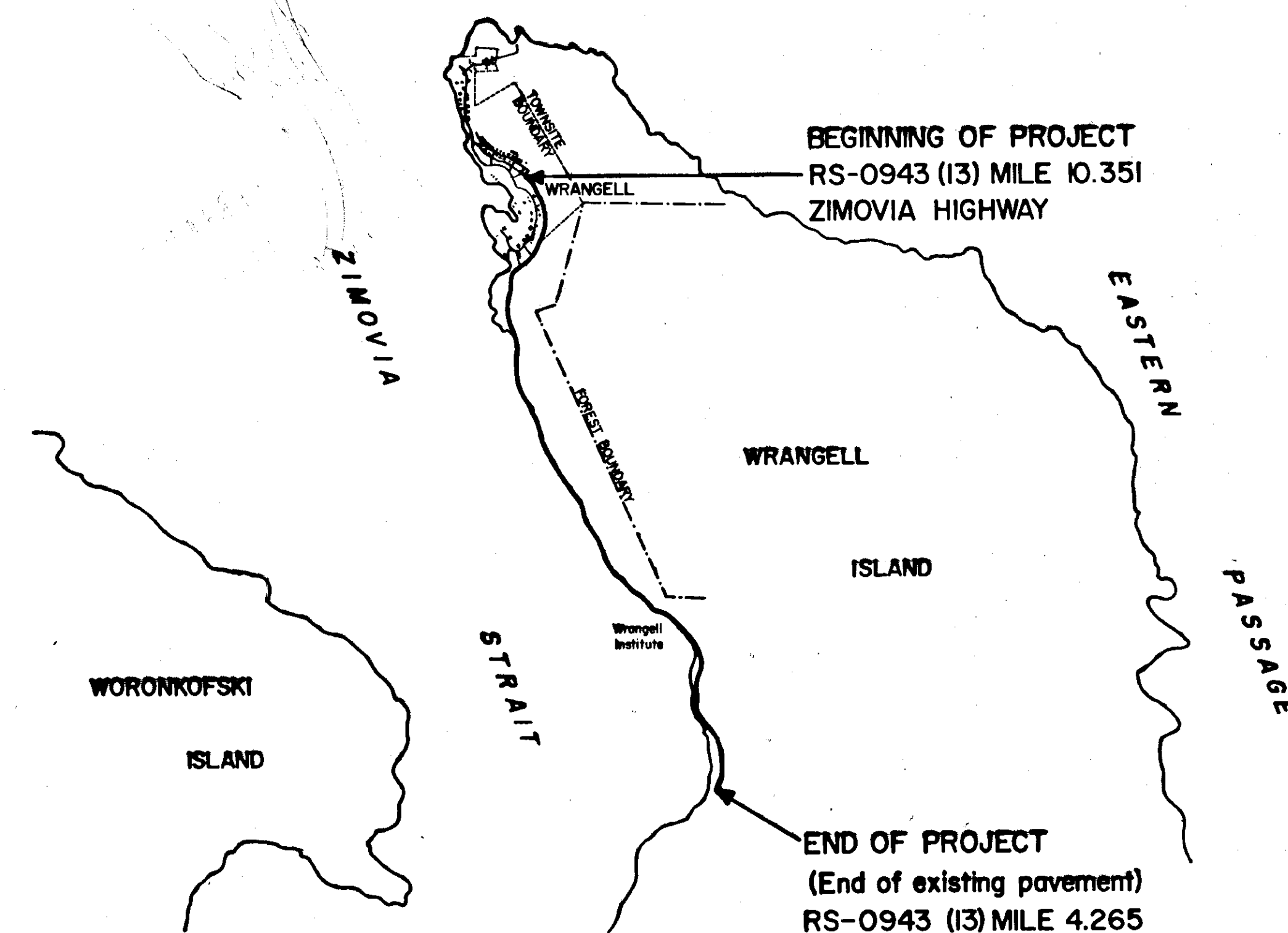
TYPICAL SECTION



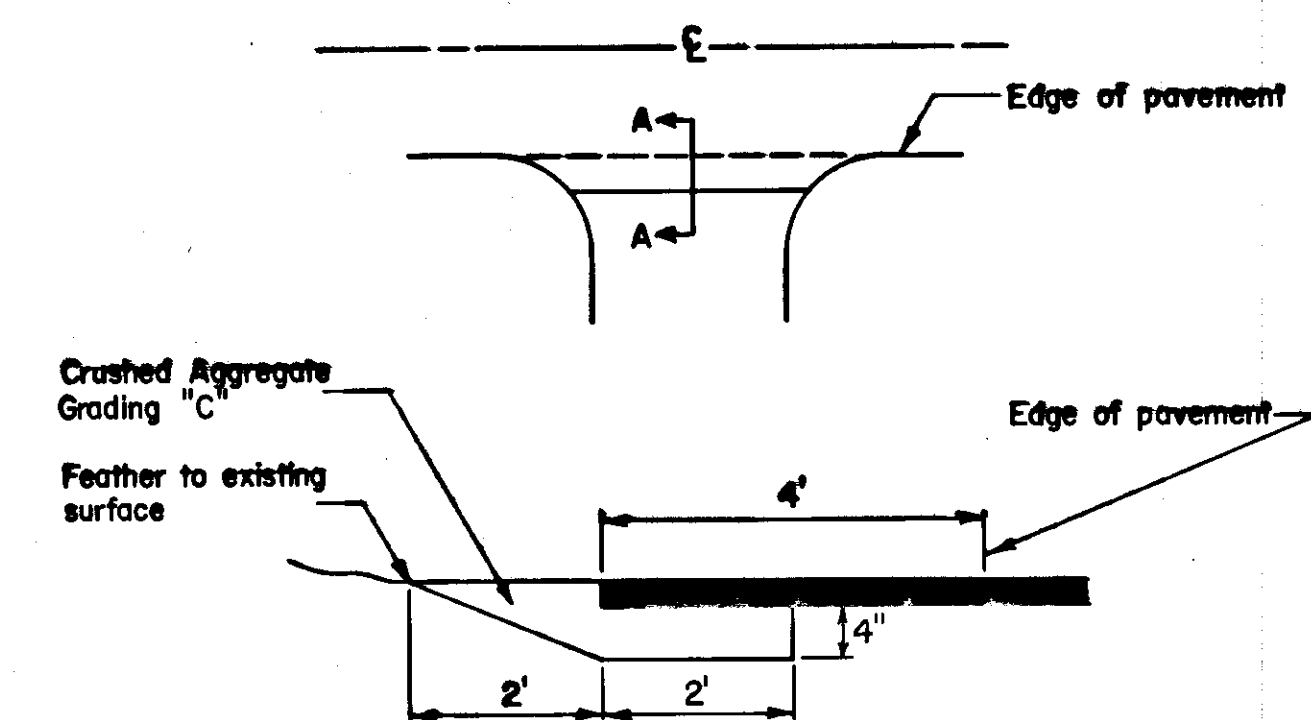
**BENNETT STREET TO SAWMILL
MILE POINT 10.351 TO MILE POINT 4.265**

MONUMENTS & CASES

STATION	LOCATION
MP 9.478 P.C.	Adjust
MP 9.517 P.T.	Adjust
MP 9.617 P.C.	Adjust
MP 9.659 P.T.	Adjust
MP 9.781 P.C.	Adjust
MP 9.902 P.T.	Adjust
MP 10.101 P.C.	Adjust
MP 10.159 P.T.	Adjust
MP 10.307 P.C.	Adjust
MP 10.343 P.T.	Adjust



TYPICAL INTERSECTION AND APPROACH SURFACING



SECTION A-A

Note: Any excavation req'd shall not be measured or paid for but will be considered incidental to other items of work in the bid schedule.

STATE OF ALASKA
DEPARTMENT OF HIGHWAYS

APPROVED
Schmidl
SOUTHEASTERN DISTRICT ENGINEER

Date 4-3-75

STATE OF ALASKA
DEPARTMENT OF HIGHWAYS

APPROVED
W. M. ...
COMMISSIONER OF HIGHWAYS

Date 4-9-75