

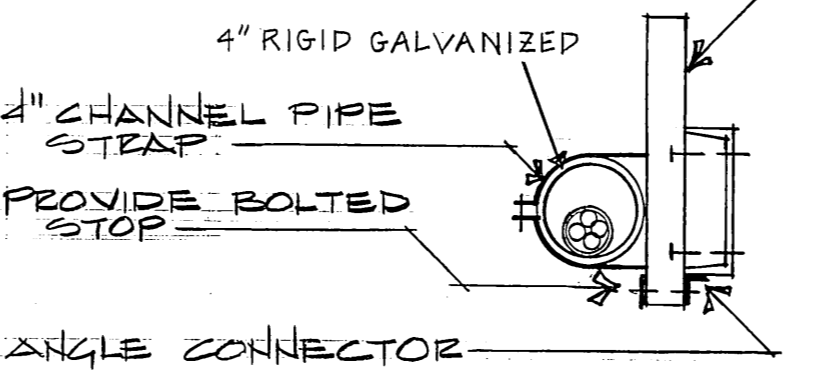
NOTE

1. ALL COMPONENTS NOTED AS "CALVANIZED" SHALL BE HOT DIPPED CALVANIZED AFTER FABRICATION OR STAINLESS STEEL.

LEGEND

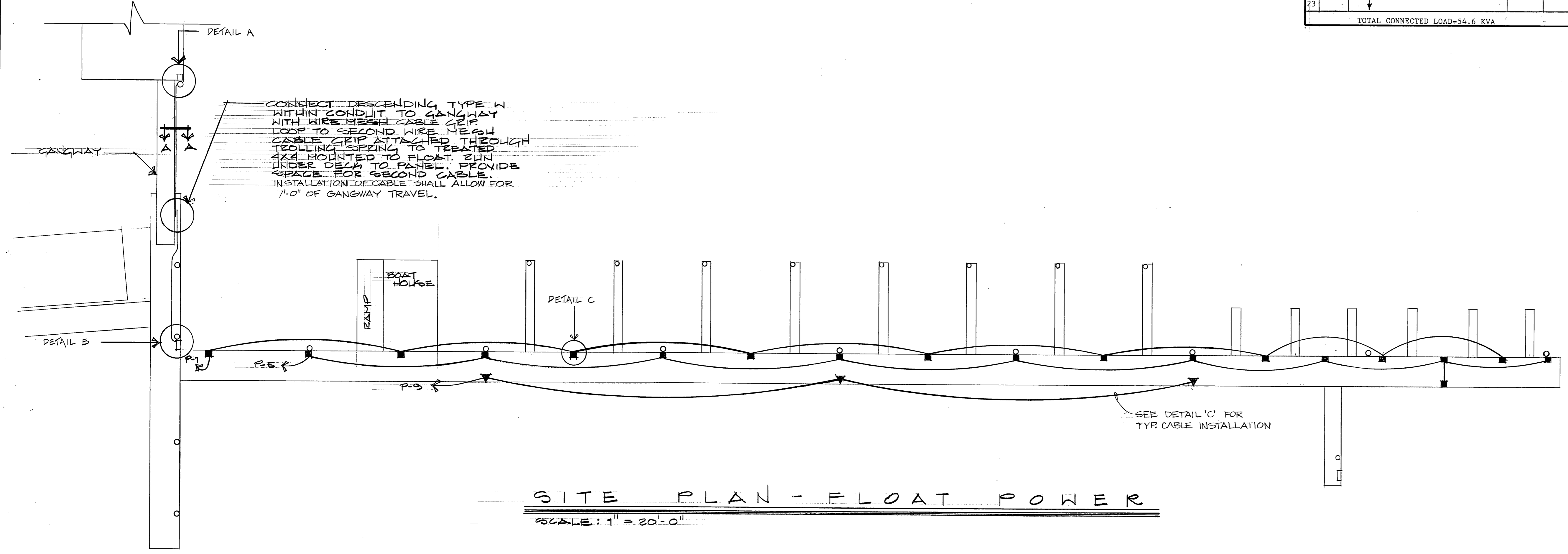
- PILING
- 120 VOLT POWER PEDESTAL
- ▲ 120/240 VOLT POWER PEDESTAL
- △ EQUIPMENT GROUND CONNECTION
- TYPE W CABLE

1 1/2" GALVANIZED CHANNEL
ELECTOR 1 1/2" LONG
MOUNT 30" O.C.
1/2" - 1/2" BOLTS AS SHOWN



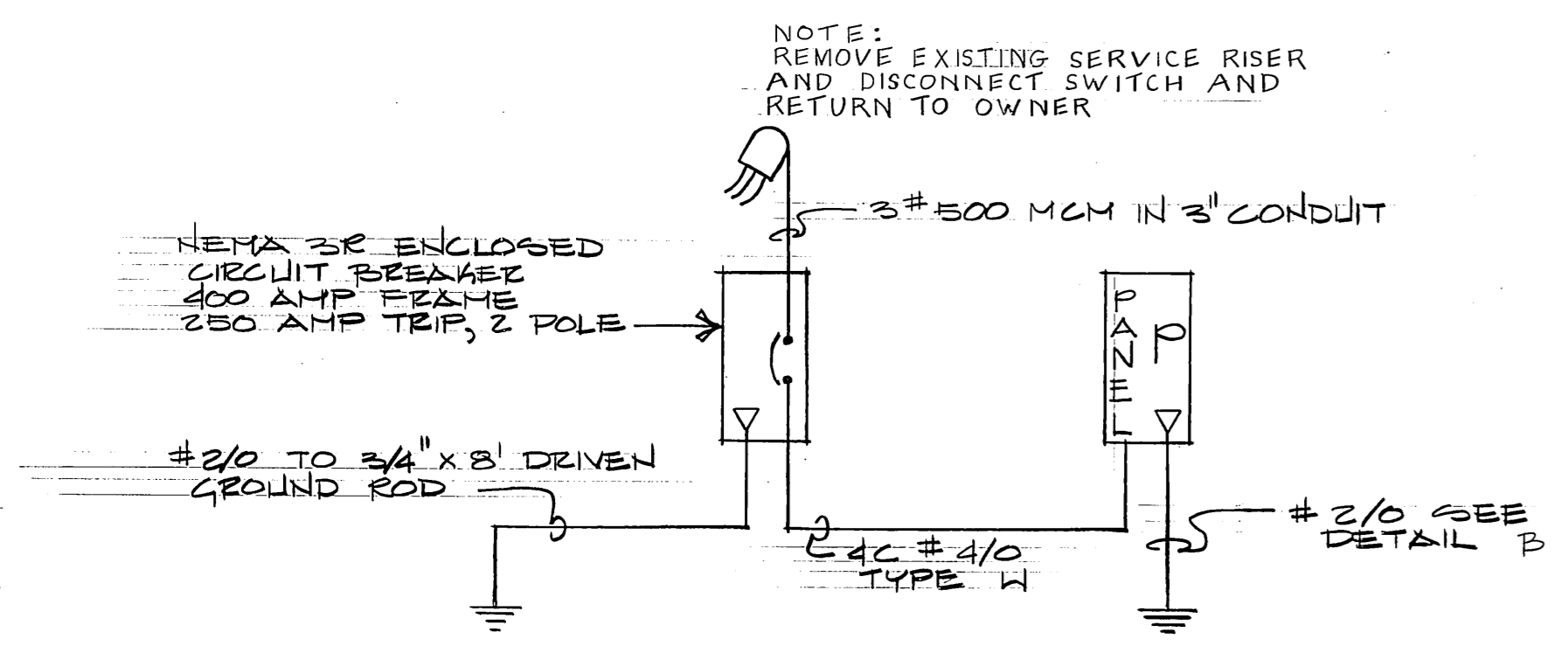
SECTION A-A
SCALE: 1 1/2" = 1'-0"

PANEL P		SIZE	VOLTS/PHASE		MAIN	LOCATION	MOUNT			
		400 AMPS	120-240/1Ø		LUGS ONLY-2 EA	FLOAT	SEE DETAIL			
Ckt. NO.	WIRE NO. - SIZE	DESCRIPTION	BREAKER AMP/POLE	KVA			BREAKER AMP/POLE	DESCRIPTION	WIRE NO./SIZE	Ckt. NO.
				CKT.	AØ	BØ				
1	4-1/0W	120 VOLT PEDESTALS-ODD	100/2	8.1	8.1			FUTURE		2
3	-----			8.1		8.1				4
5	4-1/0W	120 VOLT PEDESTALS-EVEN	100/2	8.4	8.4					6
7	-----			8.4		8.4				8
9	4-1/0W	120/240 VOLT PEDESTALS	125/2	10.8	10.8					10
11	-----			10.8		10.8				12
13		SPACE								14
15										16
17										18
19										20
21										22
23										24
TOTAL CONNECTED LOAD=54.6 KVA				27.3	27.3					

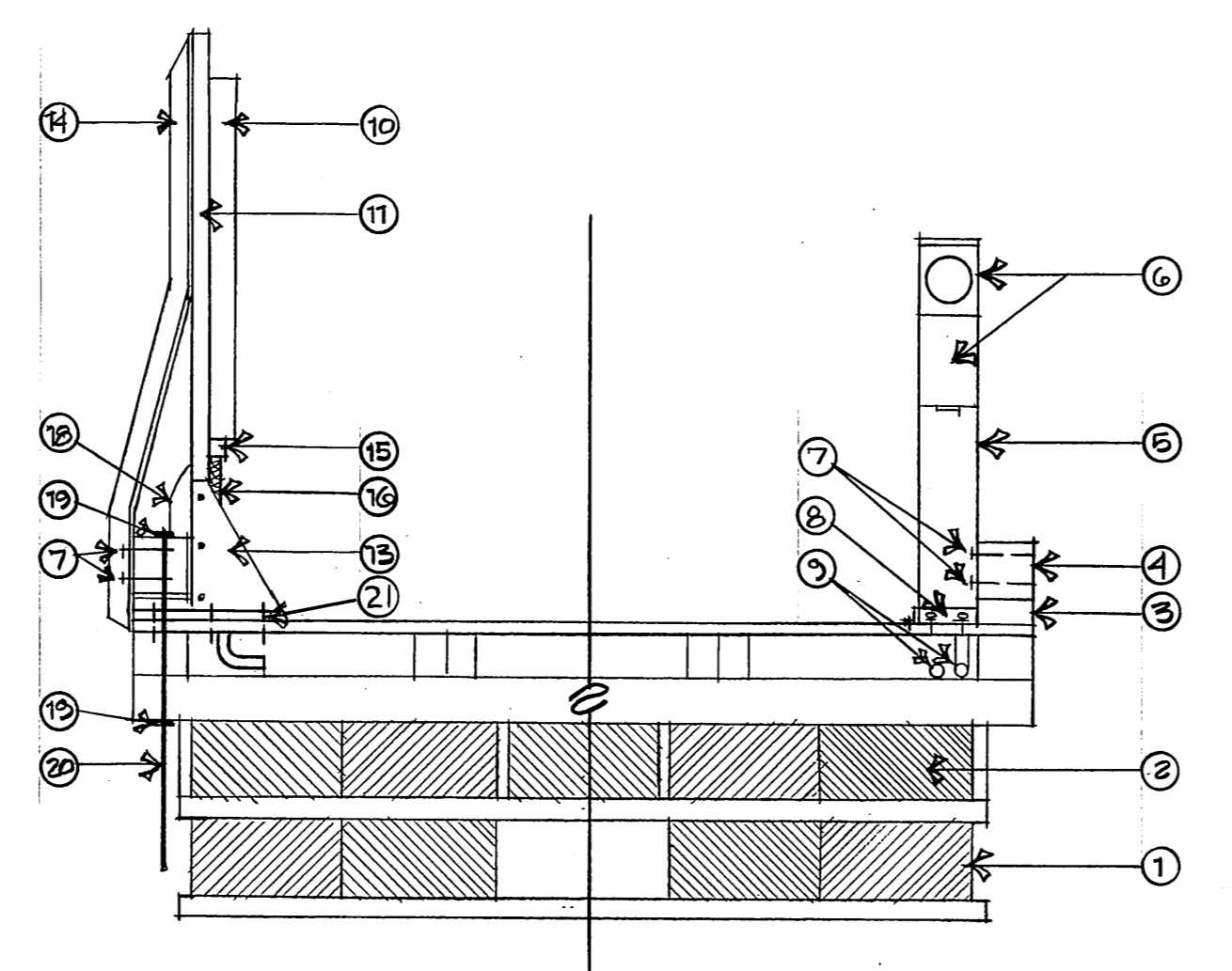


SITE PLAN - FLOAT POWER
SCALE: 1" = 20'-0"

<p>STAMP</p>	DO NOT SCALE THIS DRAWING - USE DIMENSIONS	
	STATE OF ALASKA DEPARTMENT OF TRANSPORTATION AND PUBLIC FACILITIES HARBOR DESIGN AND CONSTRUCTION	
	ELECTRICAL PLAN AND DETAILS	
	<p>SCALE NOTED</p> <p>DESIGNED PK</p> <p>CHECKED BKH</p>	<p>SURVEYED</p> <p>DRAWN PK</p> <p>DATE 6/83</p>
PROJECT NUMBER K-78131	SHEET 2 OF 3	

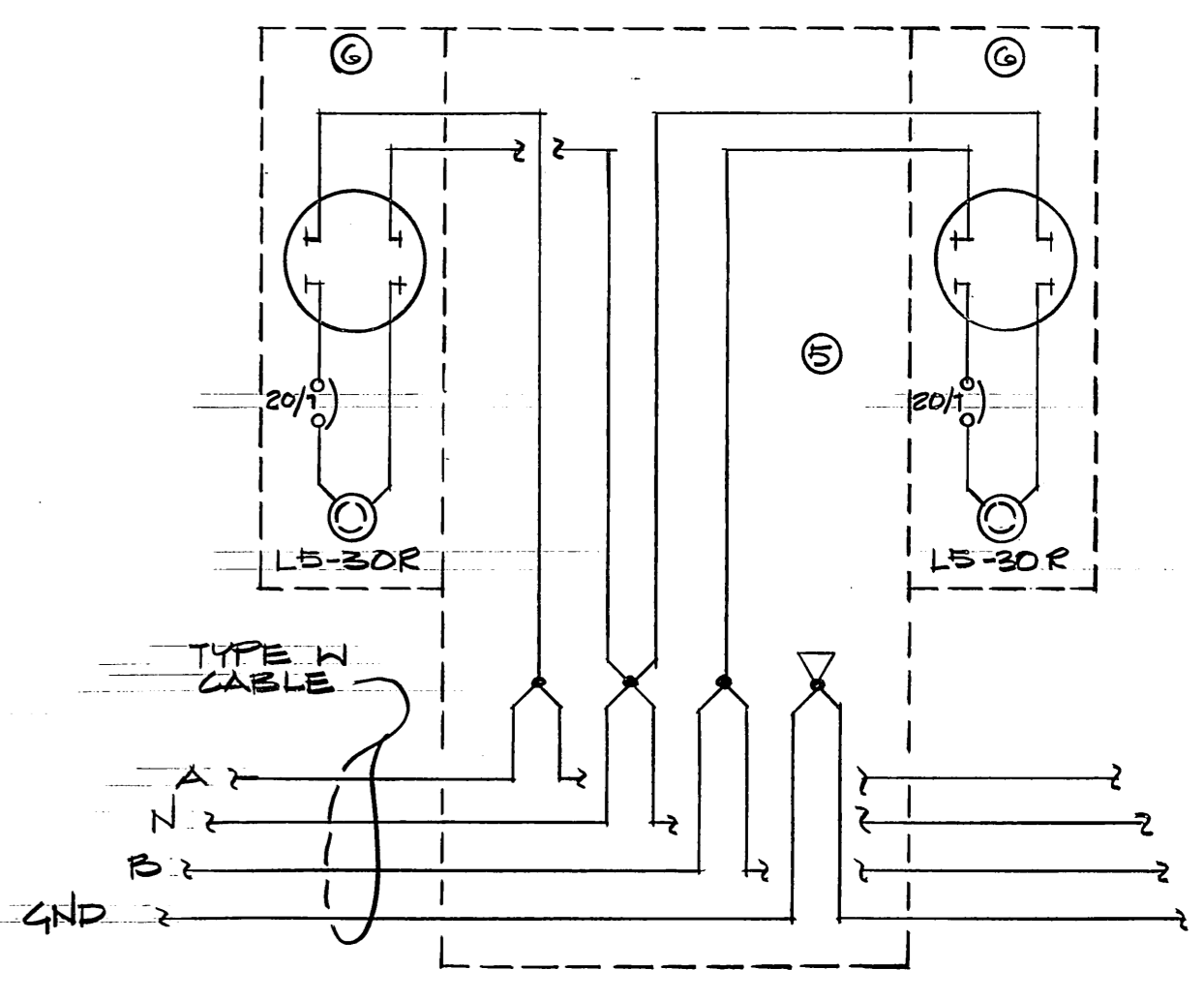
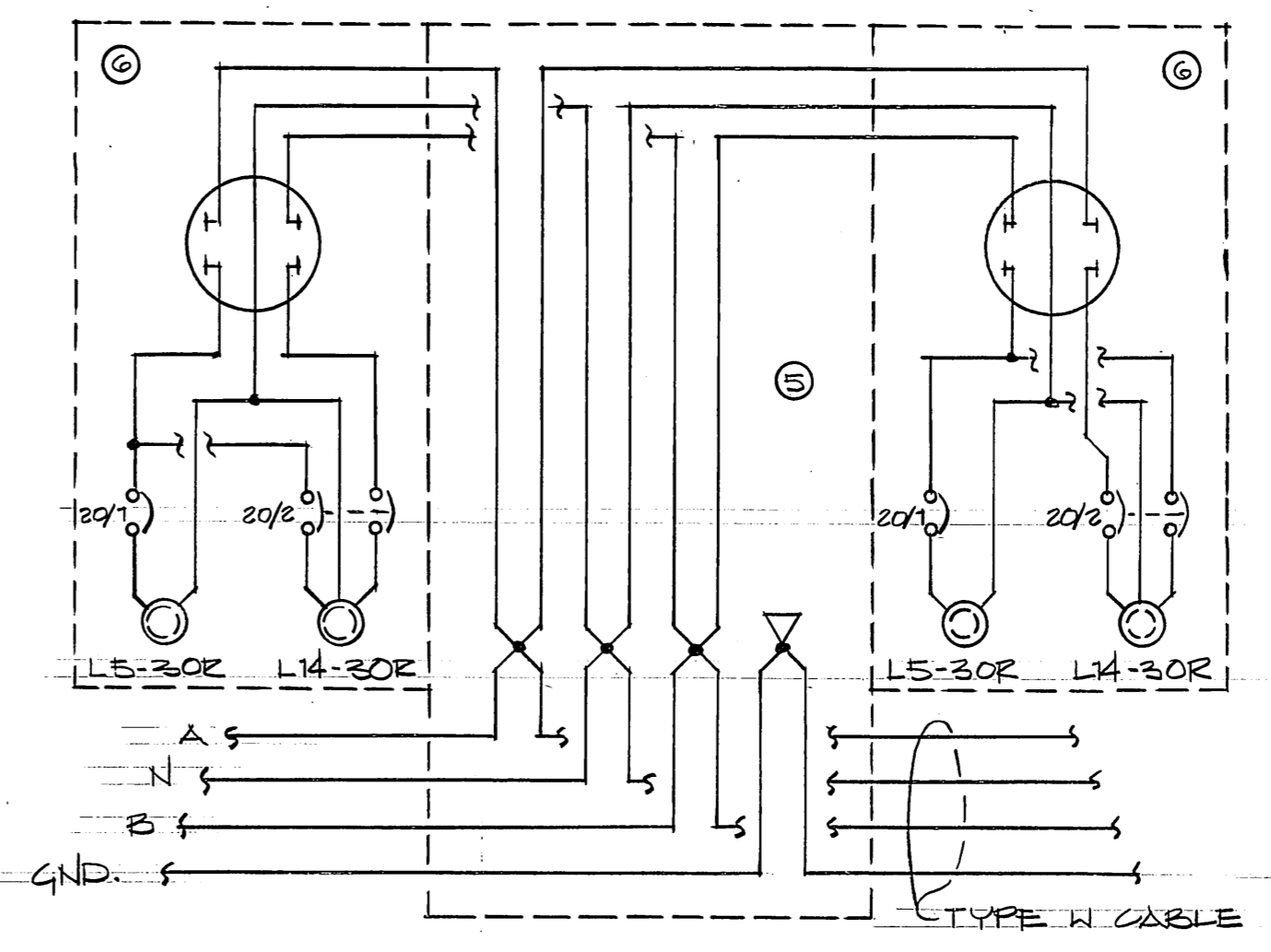


SINGLE LINE DIAGRAM
NO SCALE



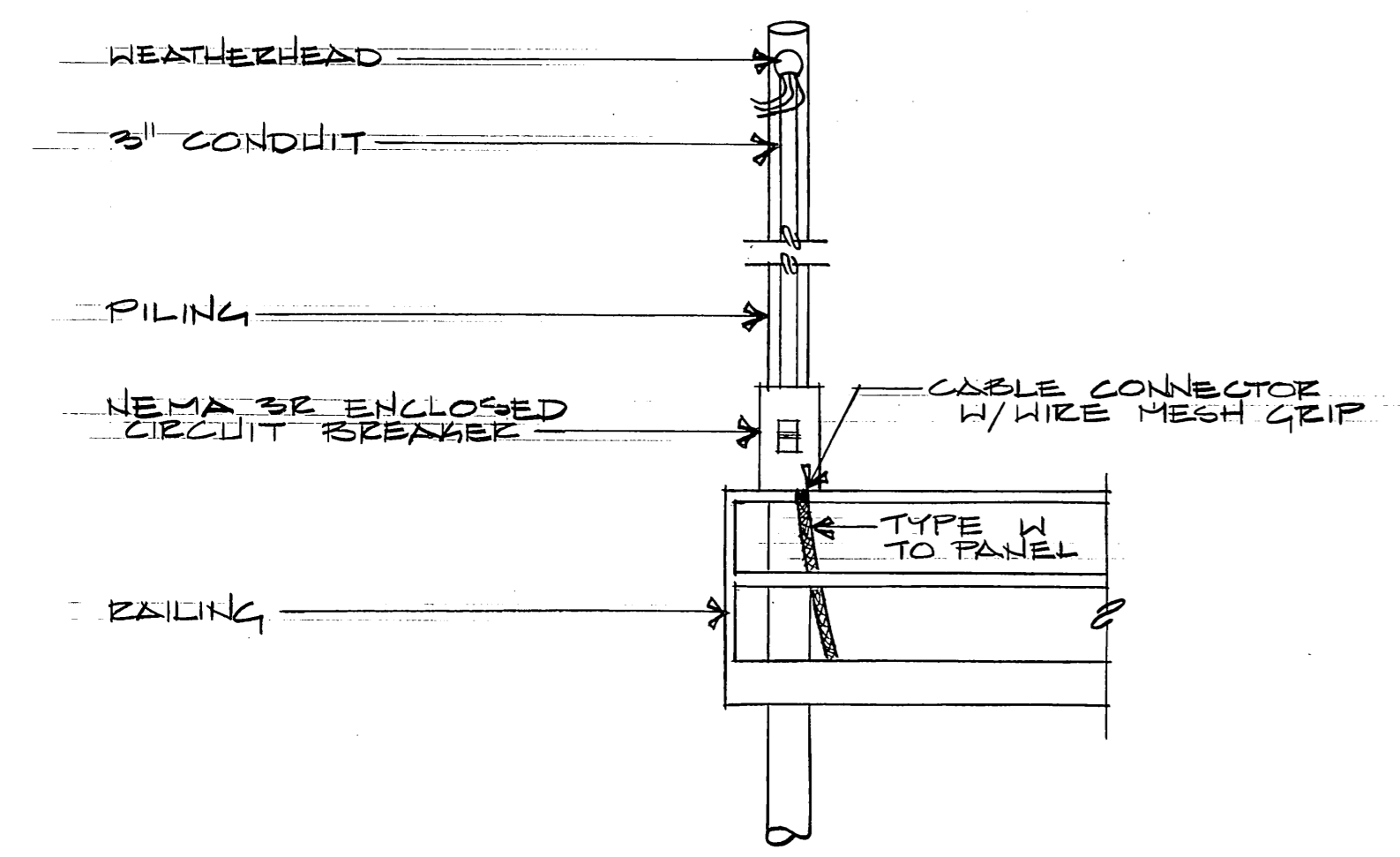
PANEL MOUNTING DETAIL B

PEDESTAL MOUNTING DETAIL C



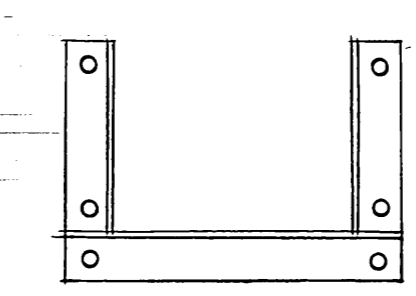
120/240 VOLT PEDESTAL RISER
NO SCALE

120 VOLT PEDESTAL RISER
NO SCALE

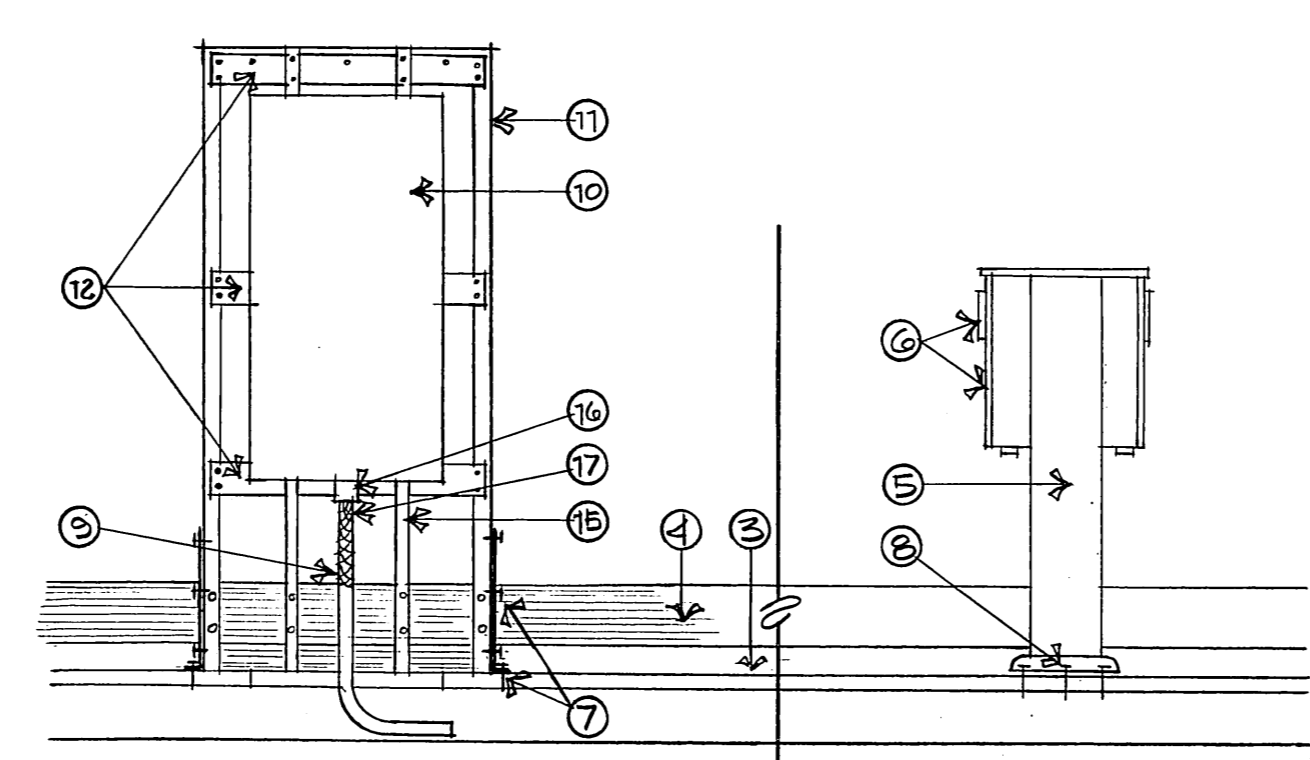


SERVICE RISER DETAIL A
SCALE: 1/4" = 1'-0"

- ① FLOAT
- ② FLOTATION MATERIAL - (ALL HELDED & GALVANIZED)
- ③ 4X8 SPACER
- ④ 8X8 BULLRAIL
- ⑤ 8X10 PEDESTAL
- ⑥ POLEHEAD W/METER BASE, CIRCUIT BREAKER & RECEPTACLE
- ⑦ 5/8" BOLTS GALVANIZED
- ⑧ PEDESTAL BASE - SEE DETAIL
- ⑨ TYPE W CABLE
- ⑩ PANEL BOARD
- ⑪ 2 1/2" X 2 1/2" X 1/4" ANGLE STEEL STAND
- ⑫ 4" X 1/4" FLAT STEEL PLATE
- ⑬ GUSSET, 1/4" FLAT STEEL PLATE
- ⑭ 2 1/2" X 2 1/2" X 1/4" ANGLE STEEL BRACE
- ⑮ 1 1/2" X 1 1/2" CHANNEL RECTOR, GALVANIZED
- ⑯ CABLE CONNECTOR
- ⑰ WIRE MESH GRIP
- ⑱ #2/0 INSULATED GROUNDING CONDUCTOR
- ⑲ GROUND CLAMP
- ⑳ 3/4" X 8'-0" GROUND ROD
- ㉑ SPACE FASTENERS



PEDESTAL BASE
SCALE: 1/2" = 1'-0"



PANEL MOUNTING DETAIL B

PEDESTAL MOUNTING DETAIL C

STAMP		DO NOT SCALE THIS DRAWING - USE DIMENSIONS	
		STATE OF ALASKA DEPARTMENT OF TRANSPORTATION AND PUBLIC FACILITIES HARBOR DESIGN AND CONSTRUCTION	
		ELECTRICAL DETAILS	
SCALE NOTED	SURVEYED	APPROVED	
DESIGNED PK	DRAWN PK	_____	
CHECKED BCH	DATE 6/83	_____	
PROJECT NUMBER K-78131	SHEET 3 OF 3		