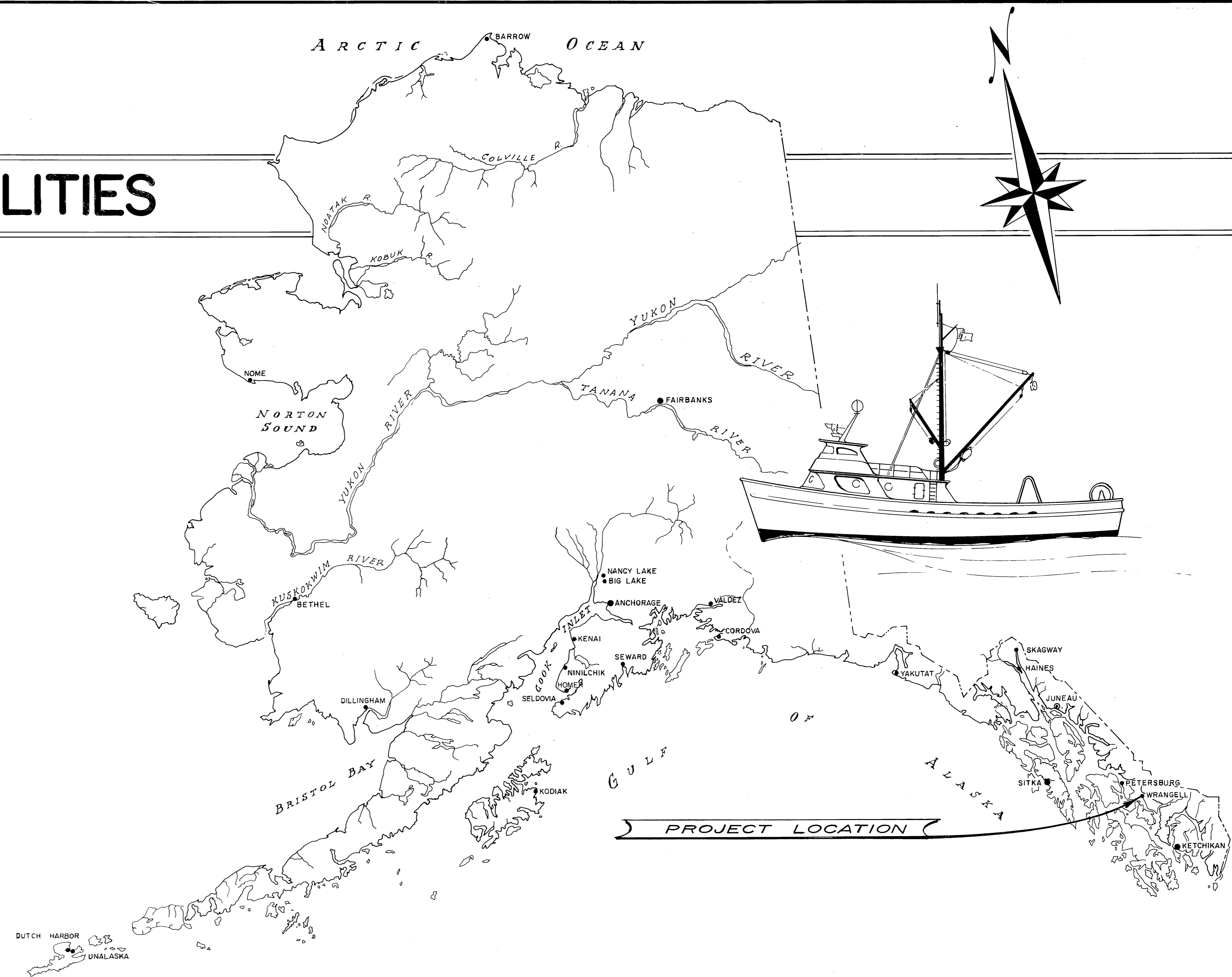


# WRANGELL BOAT HARBOR FACILITIES

PROJECT NO. 375131



### WORK SUMMARY

Items of work include: Removal and disposal of a 10'x158' mooring float, construction and installation of a new 12'x158' (1896 sq. ft.) breakwater float, reconstruction (superstructure) of an existing 10'x673' (6730 sq. ft.) mooring float, construction and installation of 1891 sq. ft. of 6' finger floats, construction and installation of 2203 sq. ft. of stall floats, furnish and drive 5 wood float piles (250 L.F.) and furnish and drive 4 steel float piles (200 L.F.)

As Constructed

STATE OF ALASKA — DEPARTMENT OF PUBLIC WORKS  
**DIVISION OF WATER & HARBORS**

#### INDEX TO SHEETS

1	TITLE & LOCATION	
2	SITE PLAN & FLOAT LAYOUT	
3	12' BREAKWATER FLOAT	
4	FLOAT RECONSTRUCTION	
5	6' FLOAT	
6	STALL FLOATS	

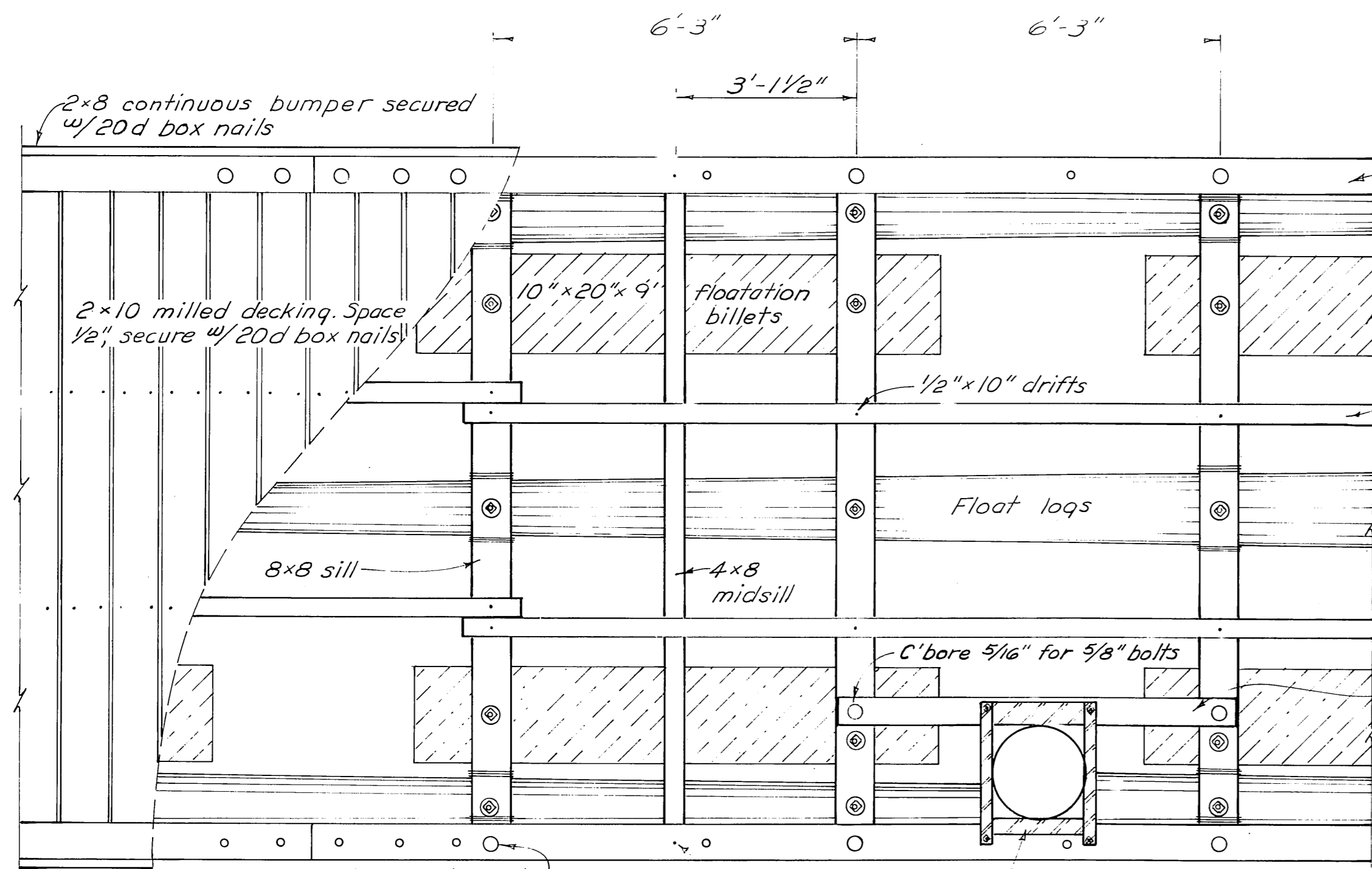
APPROVED

*Wm. Statter*  
 DIRECTOR

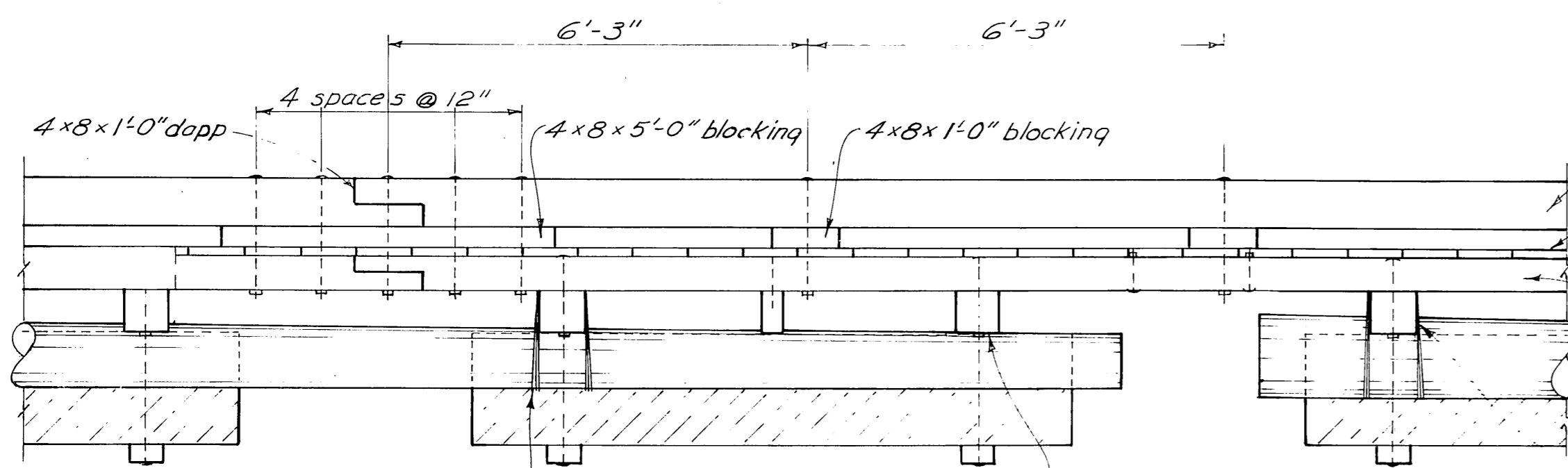
DATE 1/9/75

SHEET 1 OF 6





**PLAN**  
1/2" = 1'-0"

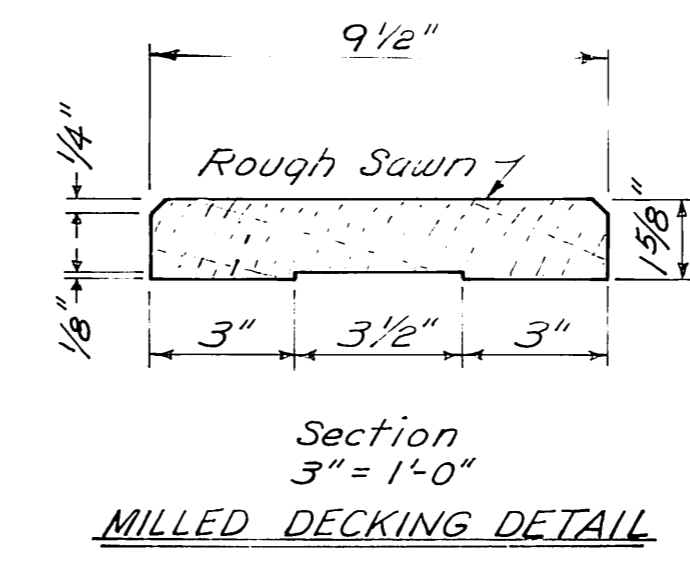


**ELEVATION**  
1/2" = 1'-0"

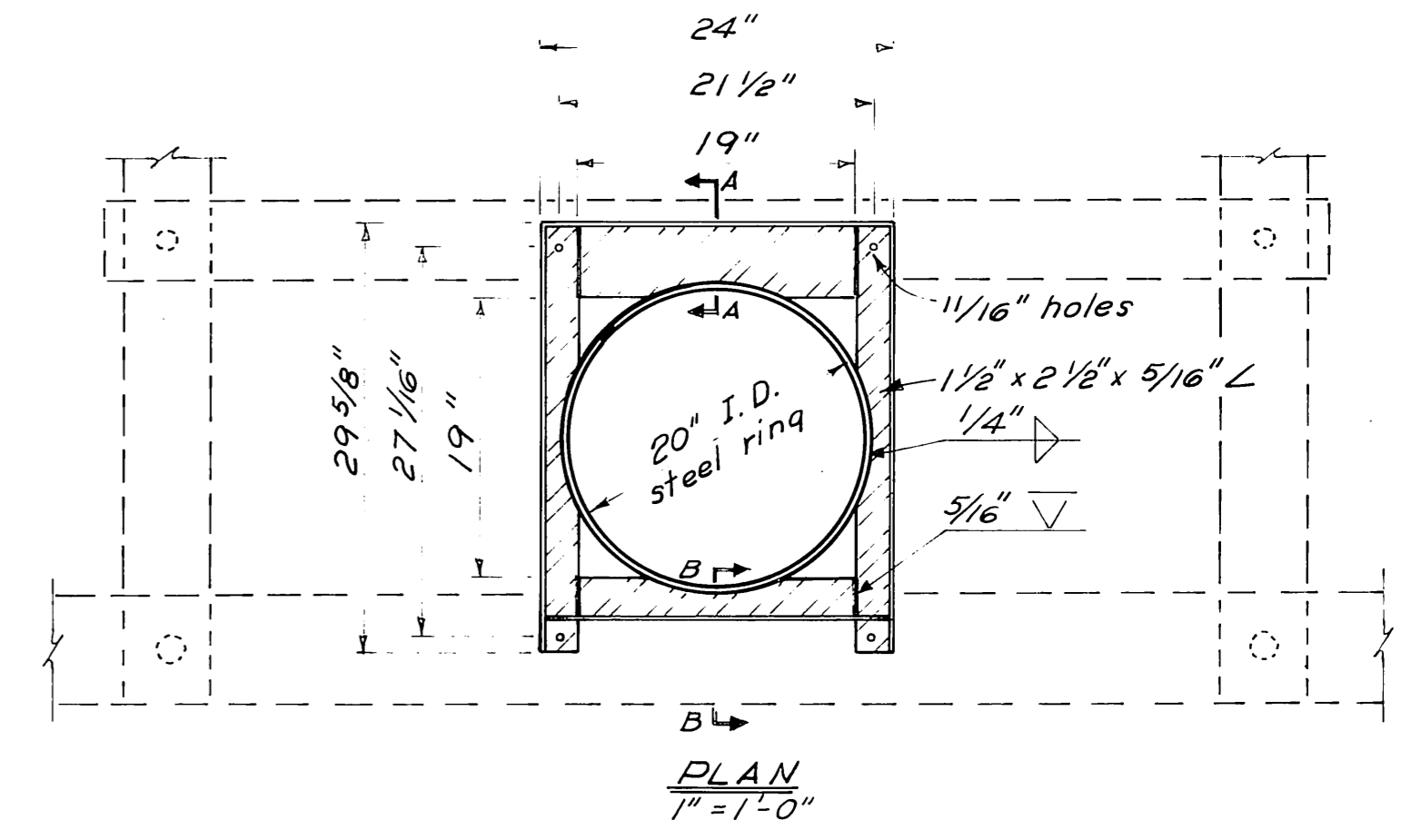
6x8 exterior stringers & tiedown rails to be dapp joined @ 25' intervals except as shown on float layout Sh. 2.

4x6 interior stringers to be lapp joined in 26' lengths except as shown on float layout Sh. 2.

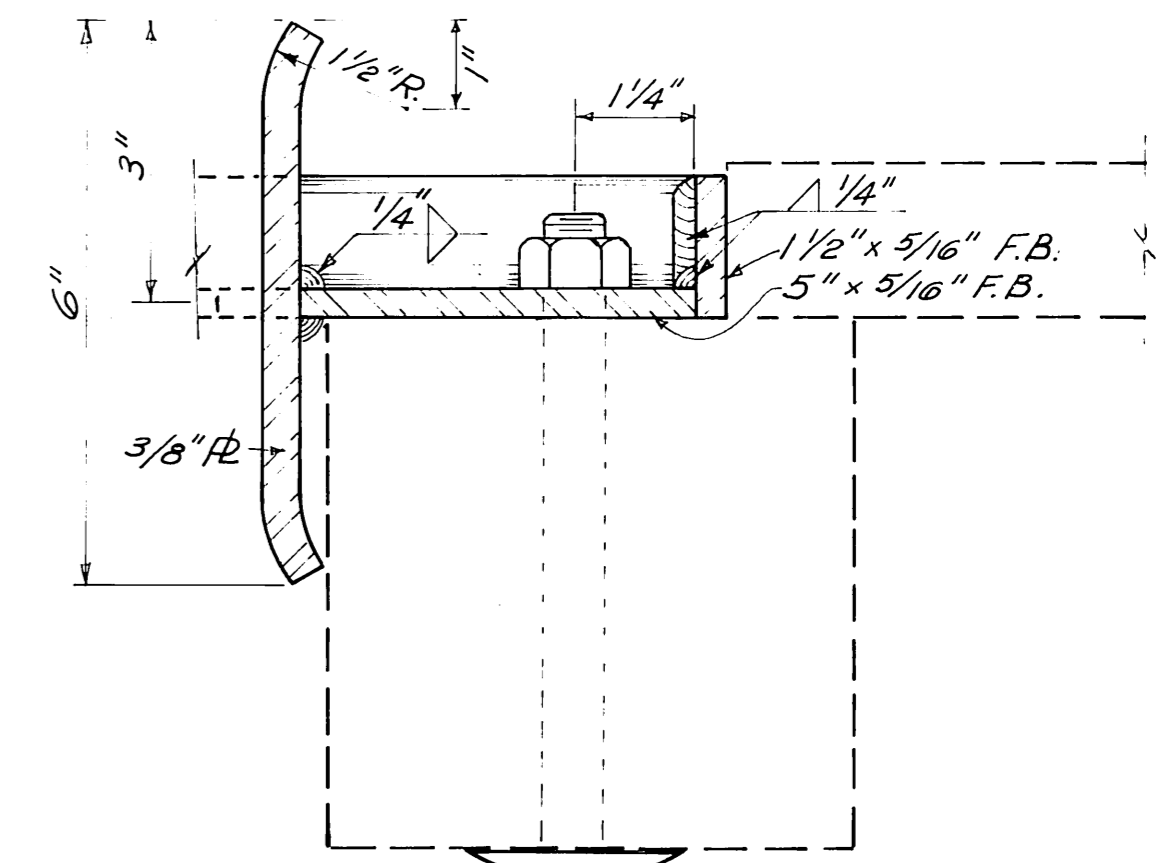
6x6x7-0 pile collar stringer



**MILLED DECKING DETAIL**  
Section 3" = 1'-0"

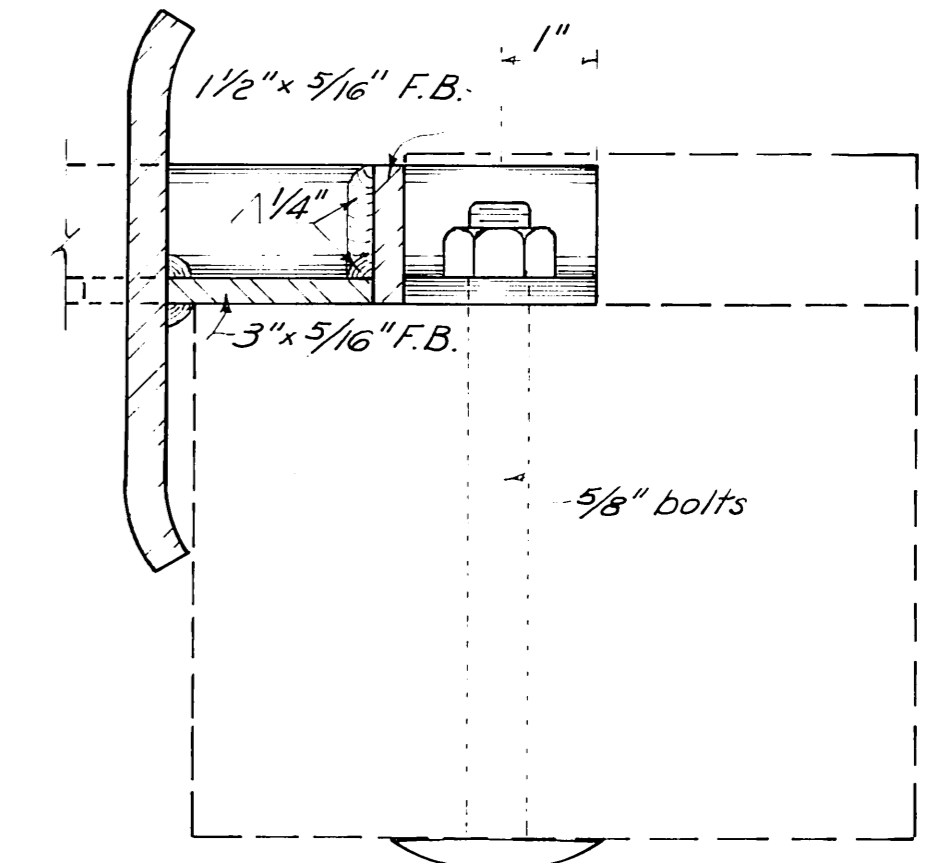


**PLAN**  
1" = 1'-0"



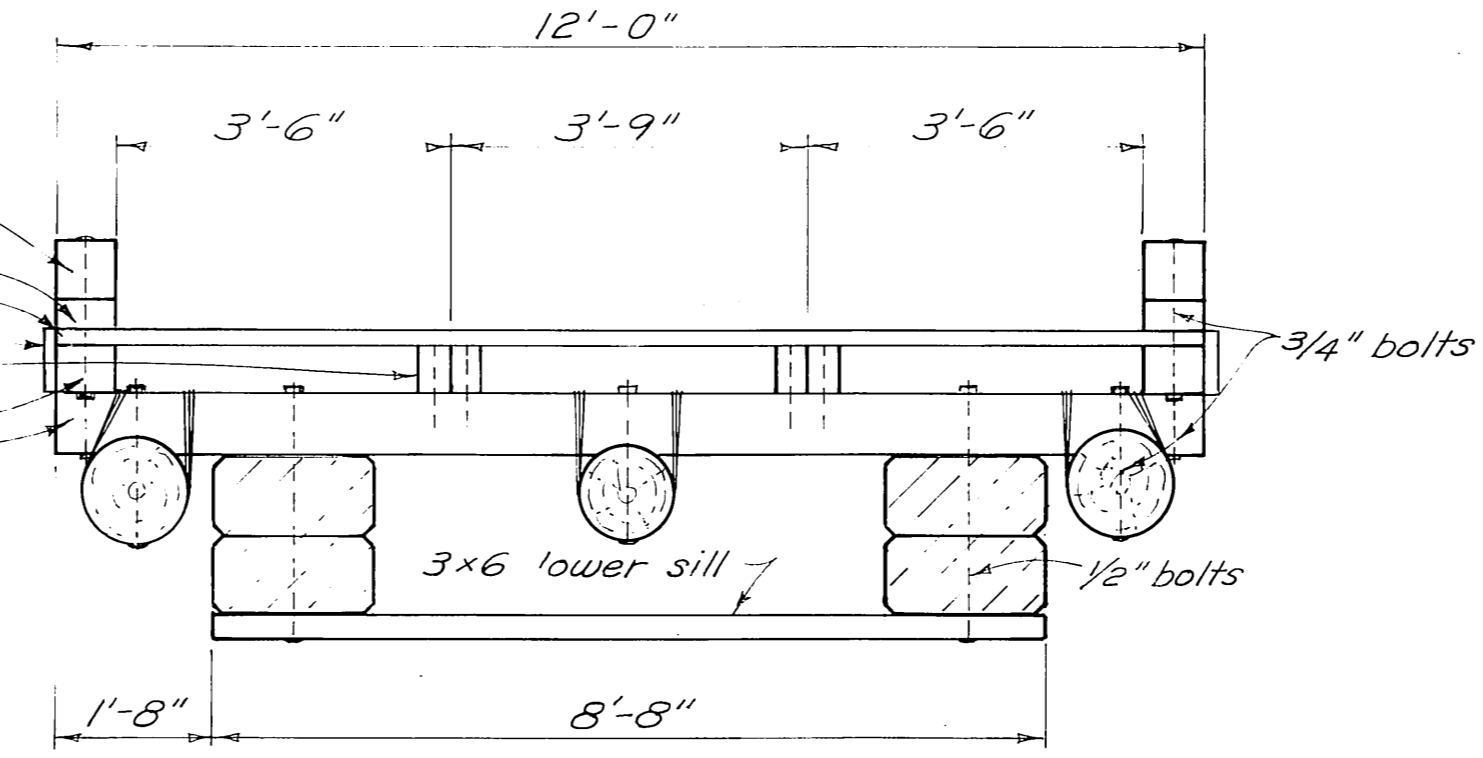
**SECTION A-A**  
Half Size

NOTE: All mat'l mild steel. Hot dip galv. after fab.

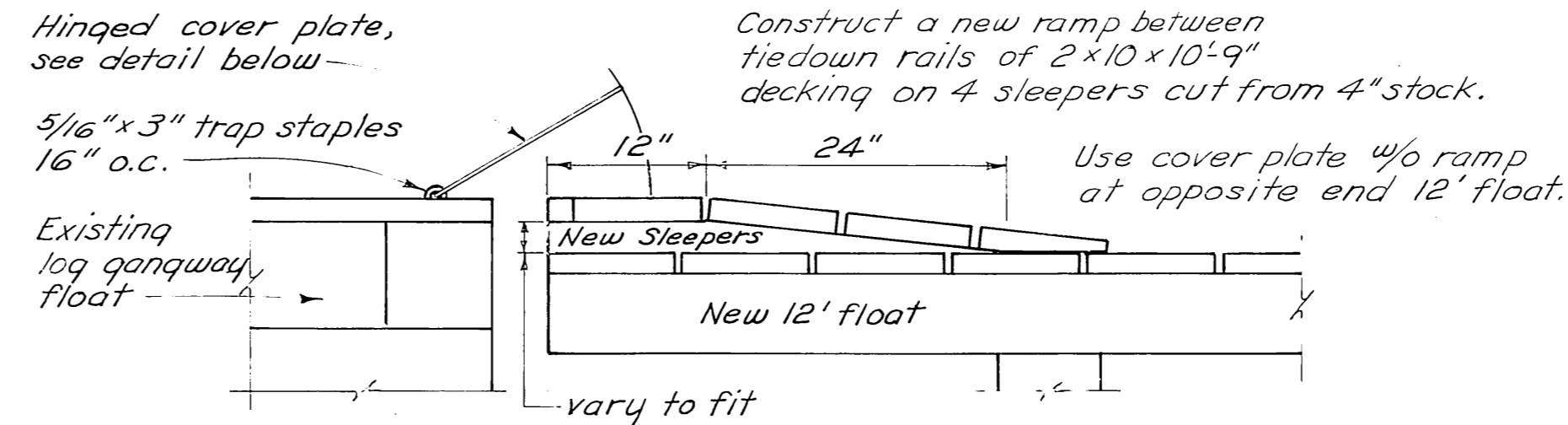


**SECTION B-B**  
Half Size

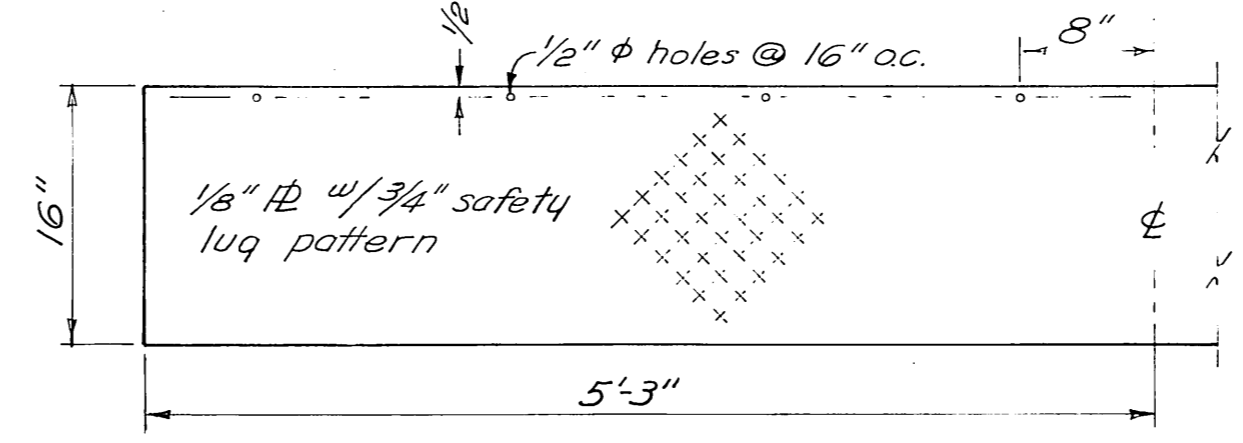
**STEEL PILE COLLAR DETAILS**



**SECTION**  
1/2" = 1'-0"



**FLOAT TRANSITION**  
1" = 1'-0"



**COVER PLATE**  
1" = 1'-0"

MATERIALS		
ITEM	DRESSING	TREATMENT
8x8 tiedown rail	S4S	0.5 lb. penta.
4x8 blocking	S4S	" "
2x10 decking	Milled	" "
2x8 bumpers	S4S	" "
6x8 exterior stringers	S4S	8 lb. creos.
4x6 interior stringers	S2E	" "
6x6 collar stringers	S2E	" "
4x6 collar member	S2E	" "
3x6 collar plates	Rough	" "
8x8 & 4x8 sills	S4S	12 lb. creos.
3x6 lower sills	Rough	" "
Float logs	Class A	20 lb. creos.

DRILLING SCHEDULE	
SHOP DRILL	FIELD DRILL
Tiedown rail ~ all holes.	Tiedown rail blocking ~ all holes.
Stringers ~ holes for stringer to sill bolts, drifts & spikes.	Ext. stringer ~ holes for tiedown rail & pile collar plate bolts.
Pile collar stringers ~ all holes.	Sills ~ holes for all stringer to sill bolts & spikes.
Sills ~ holes for flotation billets & logs.	Pile collar member ~ all holes for nails.

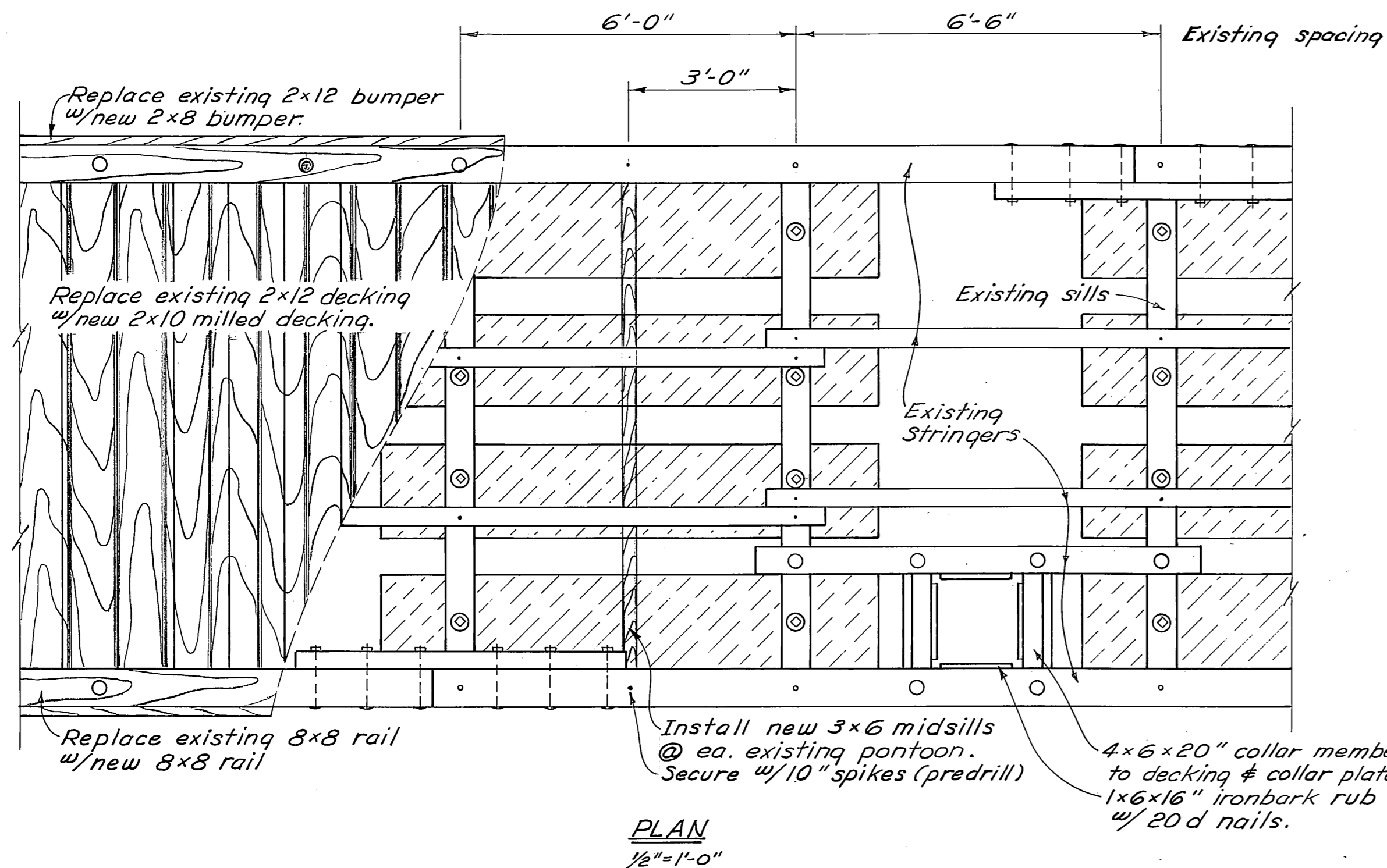
Drill holes for flotation billet bolts 1/8" oversize.  
Drill holes for all other bolts 1/16" oversize.  
Drill holes for drifts & spikes 1/16" undersize.

DO NOT SCALE THIS DRAWING - USE DIMENSIONS

STATE OF ALASKA  
DEPARTMENT OF PUBLIC WORKS  
DIVISION OF WATER AND HARBORS

**WRANGELL  
12' BREAKWATER FLOAT**

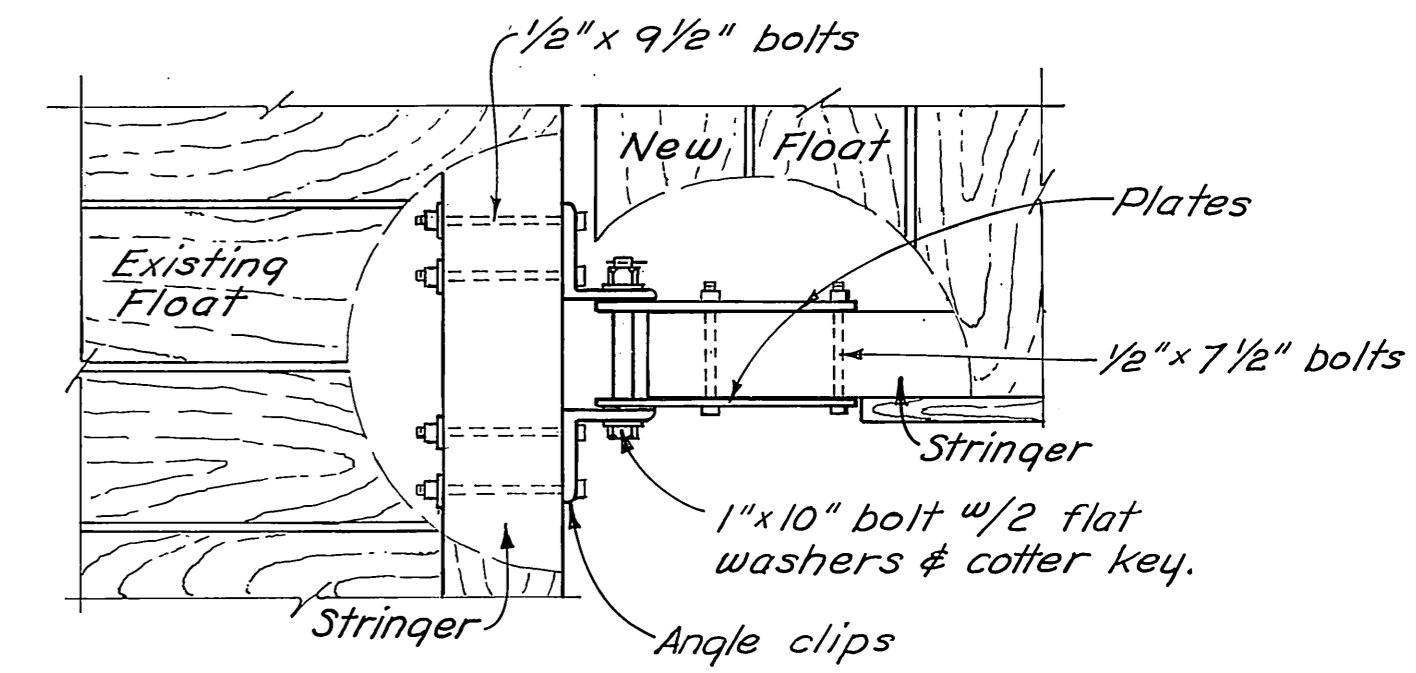
SCALE: As Noted	SURVEYED:	APPROVED:
DESIGNED: D.C.M.	DRAWN: [Signature]	Don Statter DIRECTOR
CHECKED: [Signature]	DATE: Nov. 1974	
PROJECT NUMBER: 3-75/31	SHEET: 3	OF: 6



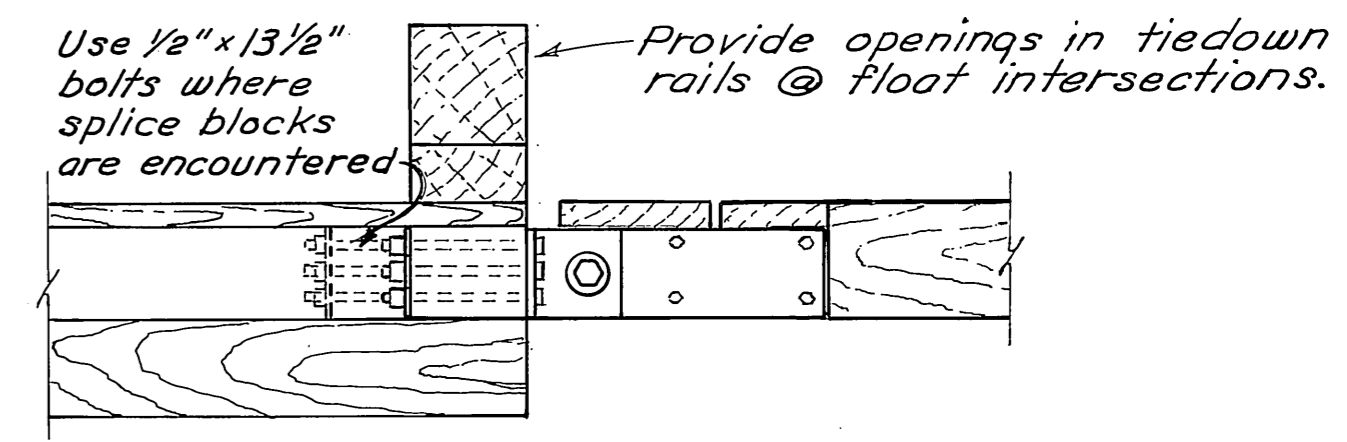
**PLAN**  
1/2" = 1'-0"

**NOTES**

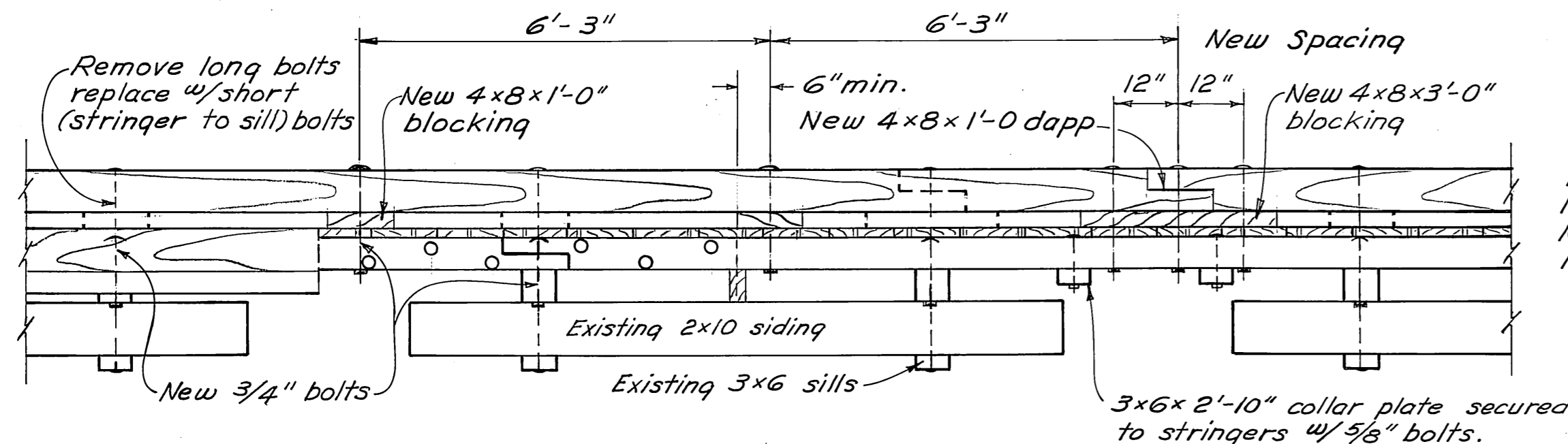
- 1 Existing tiedown rails, scupper blocks, decking and bumpers to be removed and replaced with new penta. treated material.
- 2 New creo. treated midsills shall be installed at each existing pontoon.
- 3 All existing flotation billets that are found to be broken or damaged shall be replaced.
- 4 Flotation replacement requires the removal and reinstallation of the existing bolts, siding, and lower sills.
- 5 Several pile collars shall be repaired, details are shown on this sheet, repairs are called out on float layout sheet 2.
- 6 Field c'bore all existing bolt heads facing decking.



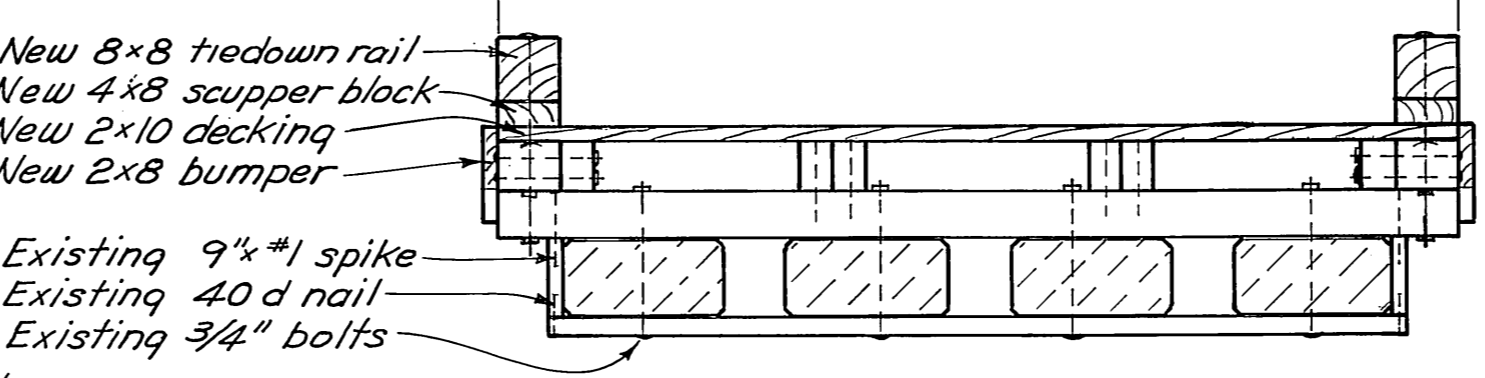
**PLAN**  
1" = 1'-0"



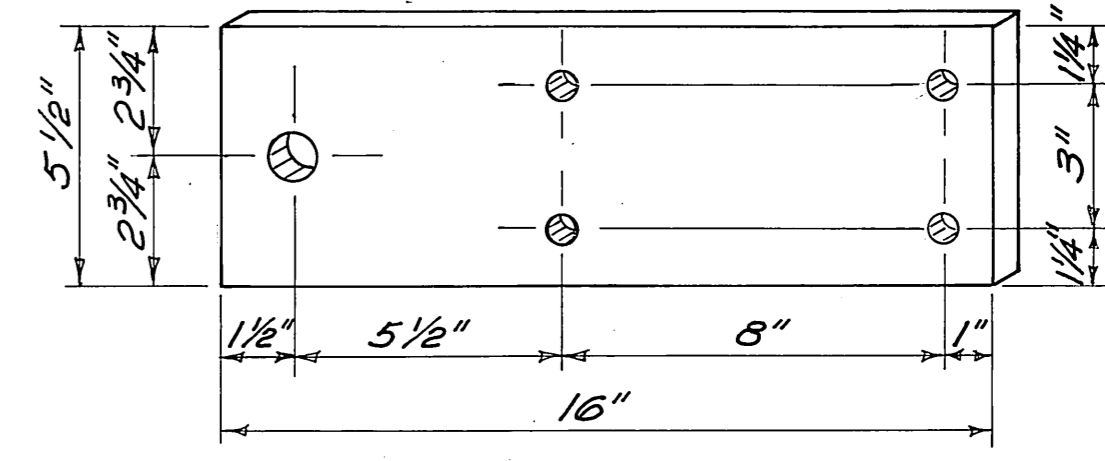
**ELEVATION**  
1" = 1'-0"



**ELEVATION**  
1/2" = 1'-0"

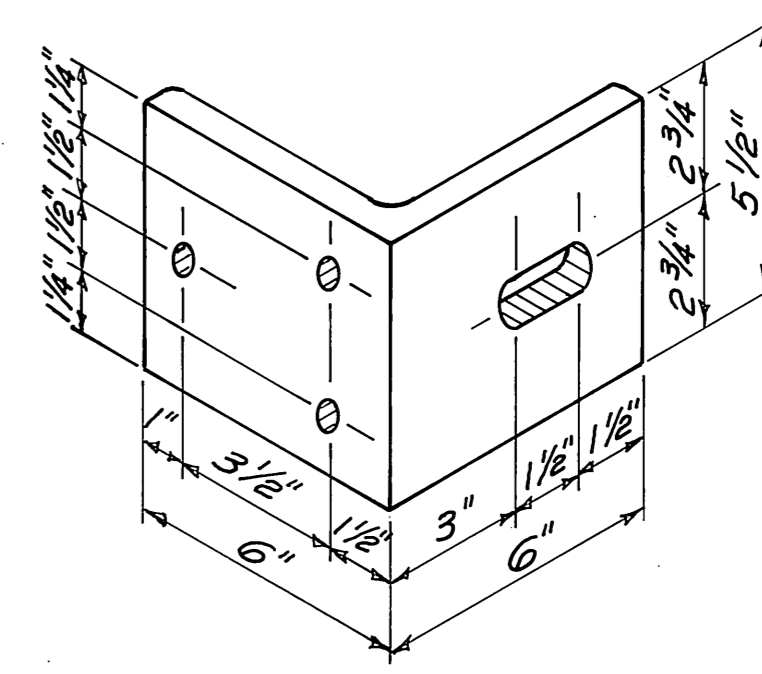


**SECTION**  
1/2" = 1'-0"



**PLATE DETAIL**  
3" = 1'-0"

Fabricate from 1/2" plate.



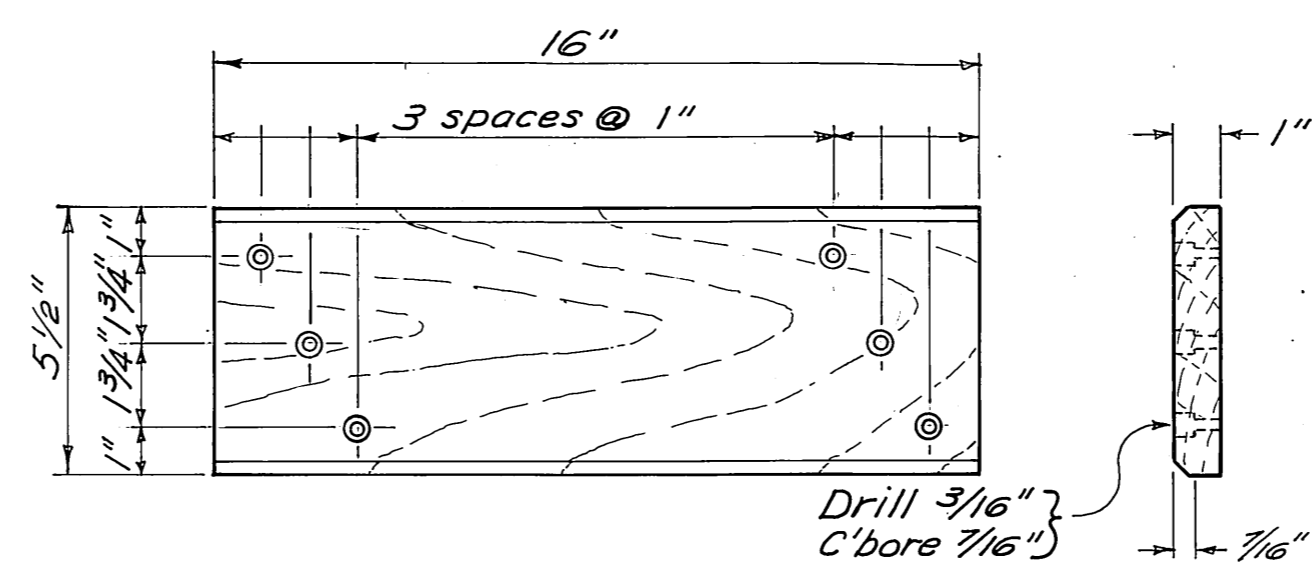
**ANGLE CLIP DETAIL**  
3" = 1'-0"

Fabricate from 5/8"x6" equal leg angle.

ITEM	MATERIALS	DRESSING	TREATMENT
8x8 tiedown rail	S4S		0.5 lb. penta
4x8 blocking	S4S		" "
2x10 decking	Milled		" "
2x8 bumper	S4S		" "
3x6 midsills	S2E		12 lb. creo.
4x6 collar member	S2E		" "
3x6 collar plate	S2E		" "

DRILLING	SCHEDULE
<b>SHOP DRILL</b>	<b>FIELD DRILL</b>
Tiedown rail ~ all holes.	Tiedown rail blocking ~ all holes.
	Midsills ~ holes for stringer to midsill spikes.

Drill holes for bolts 1/16" oversize.  
Drill holes for spikes 1/16" undersize.

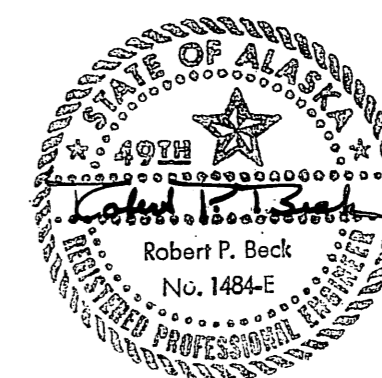


**IRONBARK RUB STRIP DETAIL**  
3" = 1'-0"

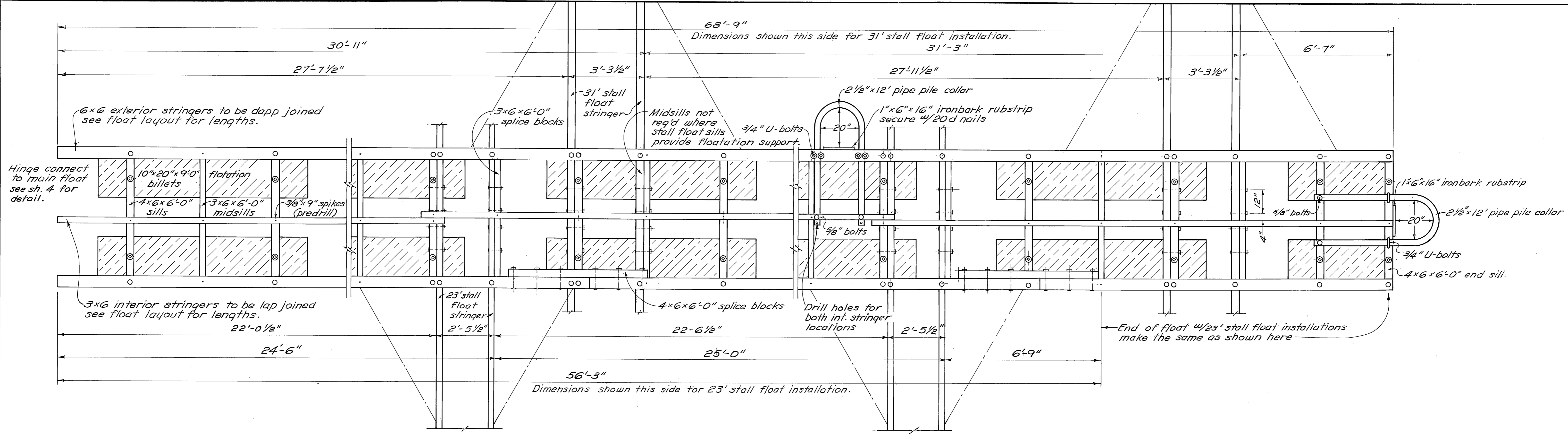
**HINGE CONNECTION DETAILS**

DO NOT SCALE THIS DRAWING - USE DIMENSIONS  
STATE OF ALASKA  
DEPARTMENT OF PUBLIC WORKS  
DIVISION OF WATER AND HARBORS

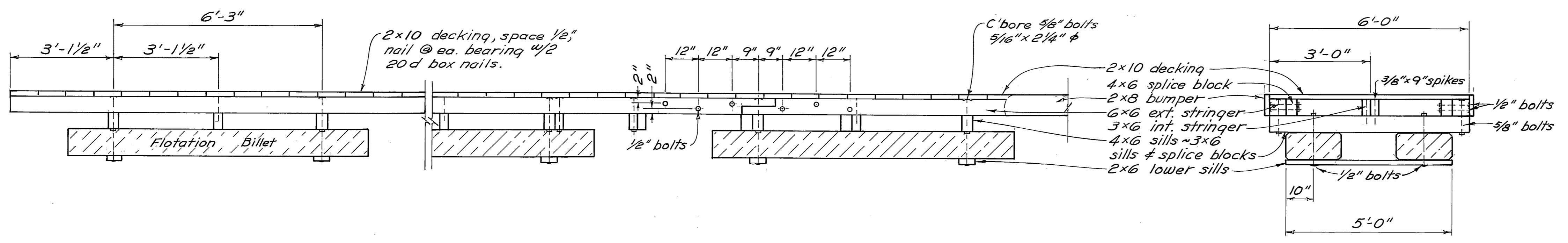
**WRANGELL  
FLOAT RECONSTRUCTION  
HINGE CONNECTION**



SCALE: As Noted	SURVEYED:	APPROVED:
DESIGNED: Robert P. Beck	DRAWN: ES	Don Statter
CHECKED: D.C.W.	DATE: Nov. 1974	DIRECTOR
PROJECT NUMBER: 3-75131	SHEET 4 OF 6	



PLAN



ELEVATION

SECTION

ITEM	MATERIALS	
	DRESSING	TREATMENT
2x10 decking	Milled	0.5 lb. penta.
2x8 bumpers	S4S	" "
6x6 exterior stringers	S4S	8 lb. creos.
3x6 interior stringers	S2E	" "
4x6 splice blocks	S2E	" "
3x6 #4x6 sills	Rough	12 lb. creos.
3x6 splice blocks	S2E	" "
2x6 lower sills	Rough	" "

SHOP DRILL	DRILLING	
	DRILLING	SCHEDULE
Stringers ~ holes for stringer to sill bolts, drifts & spikes.	Stringers ~ holes for pile collar & stall float bolts.	FIELD DRILL
holes for stringer to splice block bolts.	Sills ~ holes for all stringer to sill bolts & spikes.	
Sills ~ holes for flotation billet bolts.	Splice Blocks ~ all holes.	

Drill holes for flotation billet bolts 1/8" oversize.  
 Drill holes for all other bolts 1/16" oversize.  
 Drill holes for spikes 1/16" undersize.  
 Counterbore for all bolt heads facing decking.

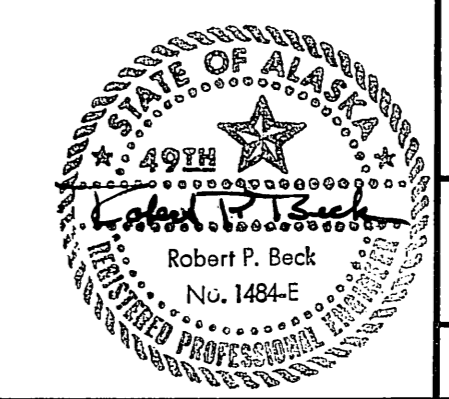
DO NOT SCALE THIS DRAWING - USE DIMENSIONS

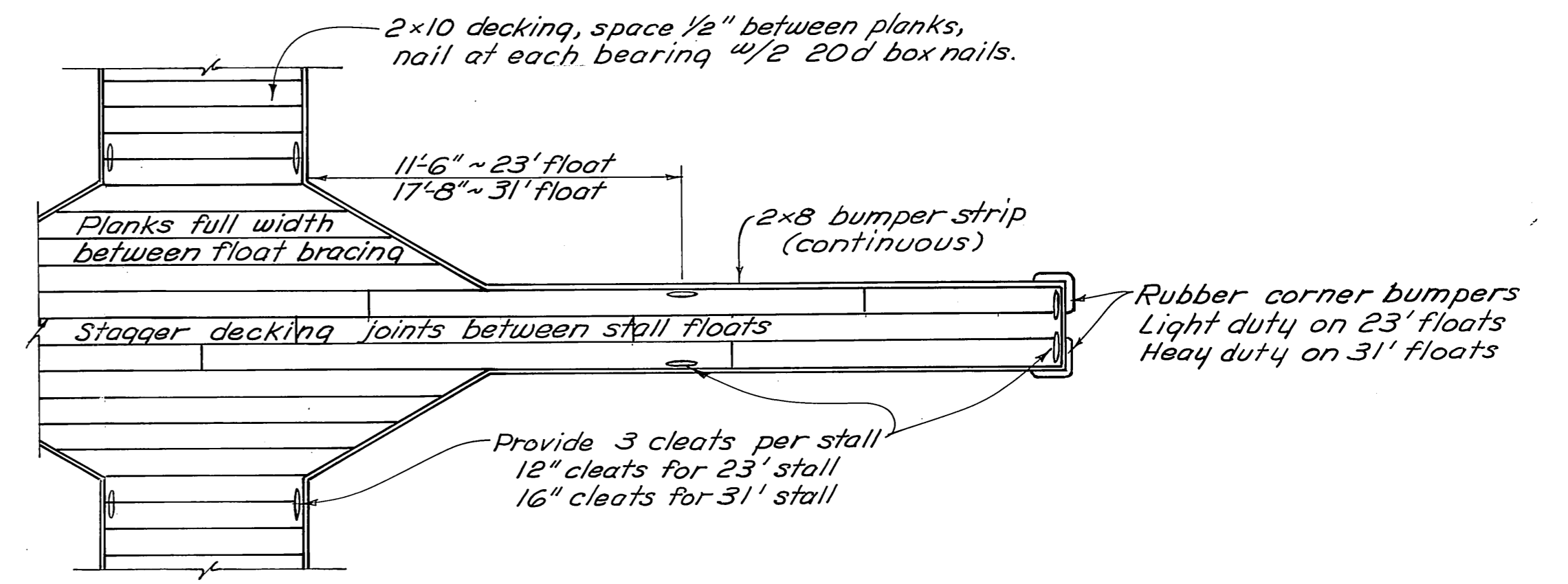
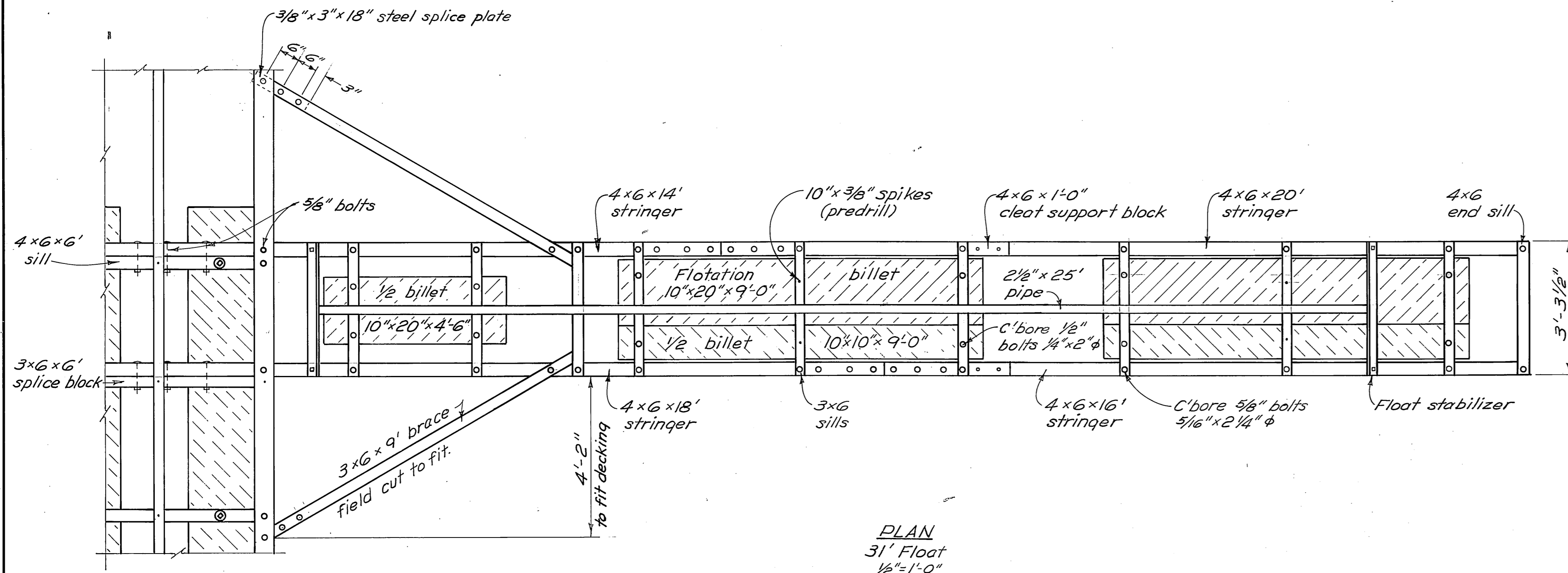
STATE OF ALASKA  
 DEPARTMENT OF PUBLIC WORKS  
 DIVISION OF WATER AND HARBORS

**WRANGELL**  
**6' FLOAT**

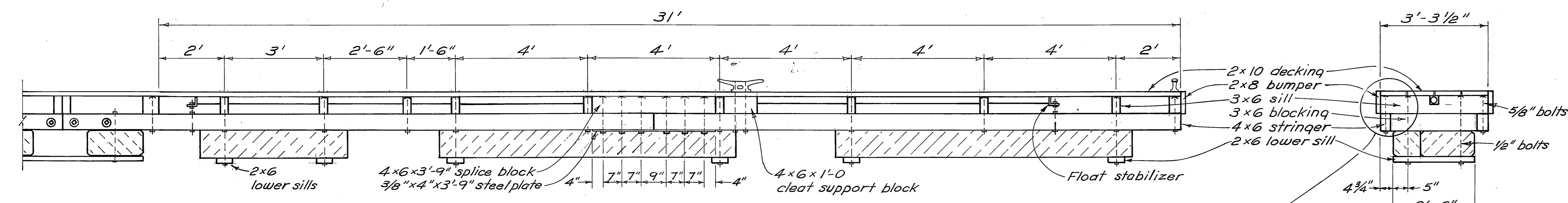
SCALE 1/2" = 1'-0" SURVEYED \_\_\_\_\_ APPROVED \_\_\_\_\_  
 DESIGNED \_\_\_\_\_ DRAWN \_\_\_\_\_  
 CHECKED D.C.W. DATE Nov. 1974 Don Statter DIRECTOR

PROJECT NUMBER 3-75131 SHEET 5 OF 6

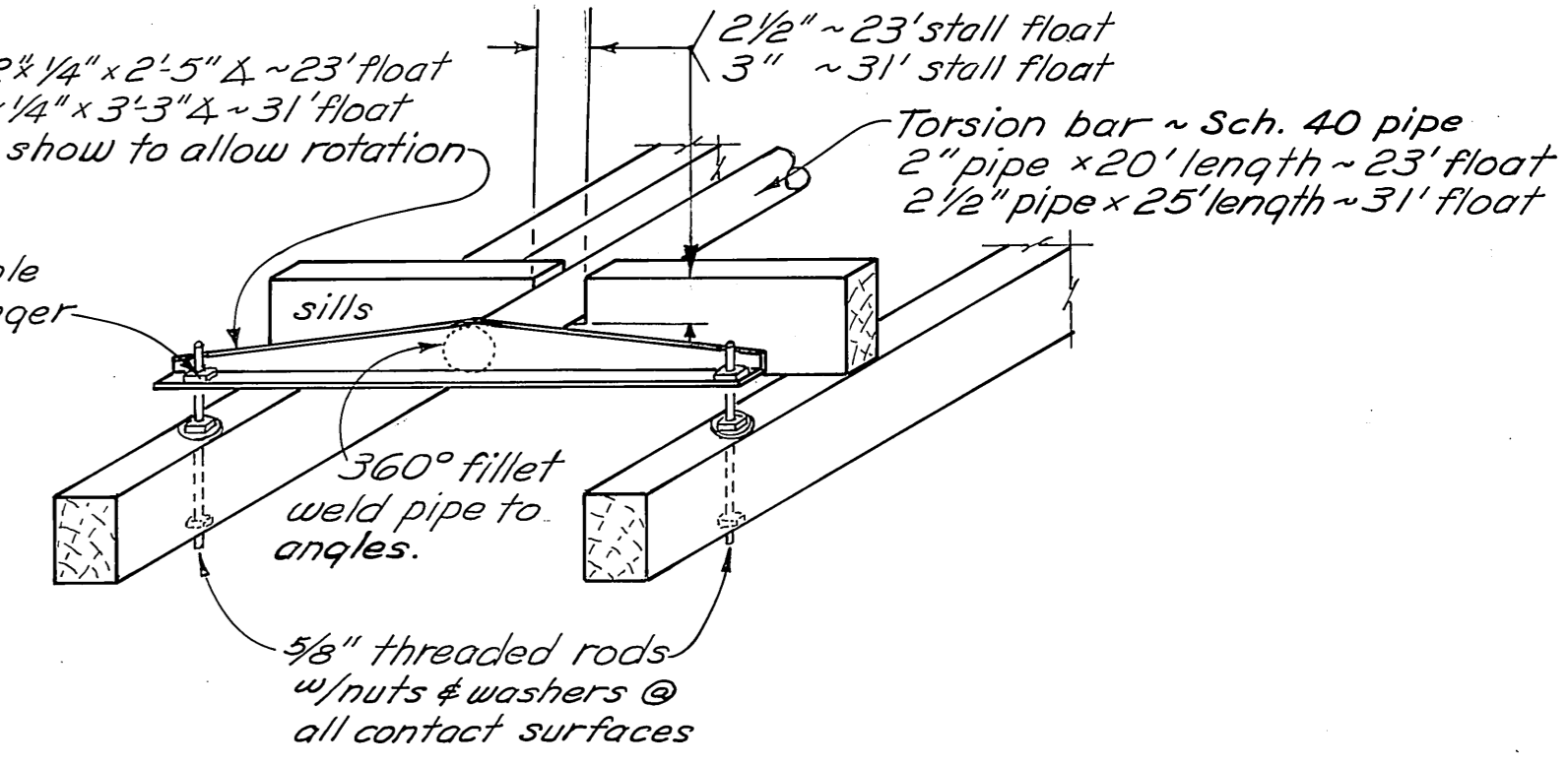




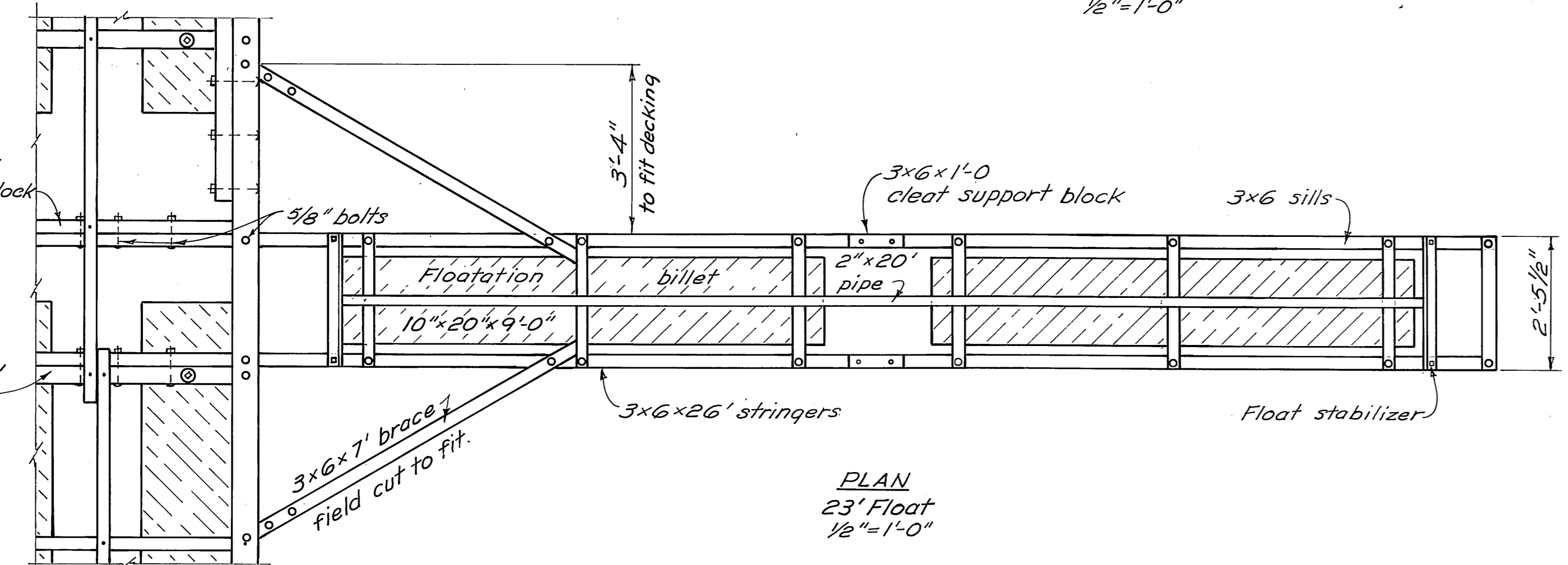
DECKING ~ CLEAT ~ BUMPER DIAGRAM 1/4"=1'-0"



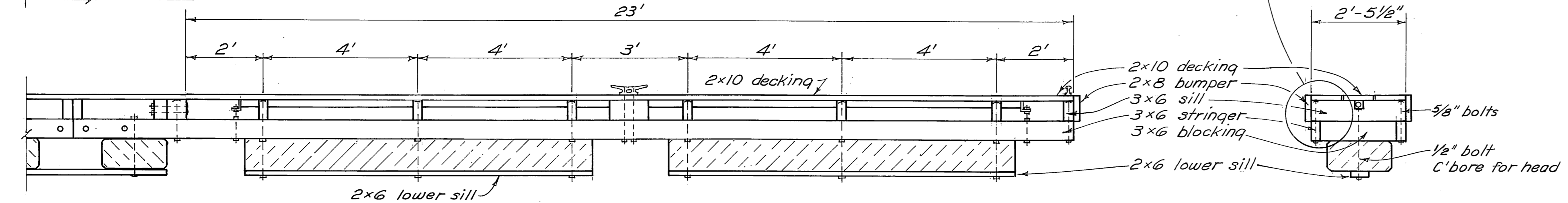
ELEVATION 31' Float 1/2"=1'-0"



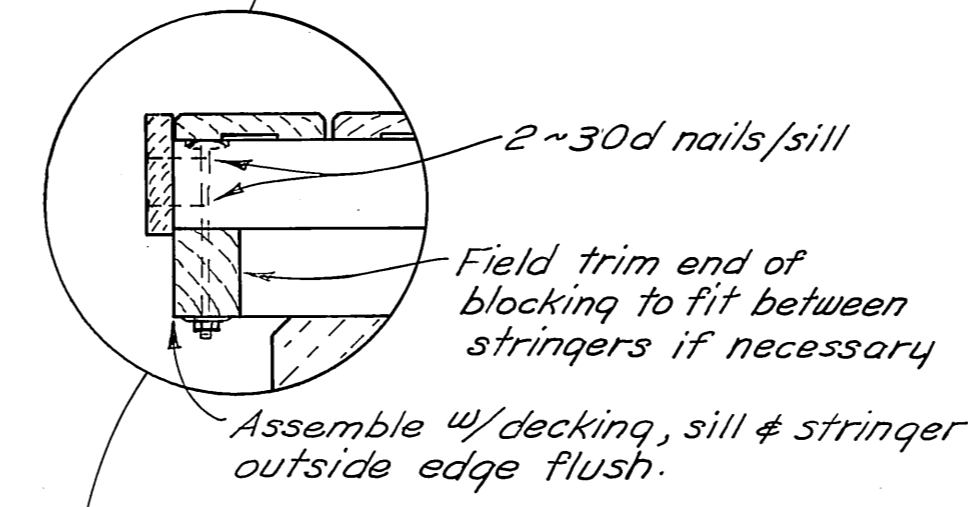
STALL FLOAT STABILIZER 1"=1'-0"



PLAN 23' Float 1/2"=1'-0"



ELEVATION 23' Float 1/2"=1'-0"



SECTION 23' Float 1/2"=1'-0"

MATERIALS		
ITEM	DRESSING	TREATMENT
2x10 decking	Milled	0.5 lb. penta.
2x8 bumper	S4S	" "
3x6 sill	S2E	8 lb. creos.
3x6 brace	S2E	" "
4x6 #3x6 stringers	Full Sawn	12 lb. creos.
3x6 blocking	S2E	" "
2x6 lower sill	Rough	" "

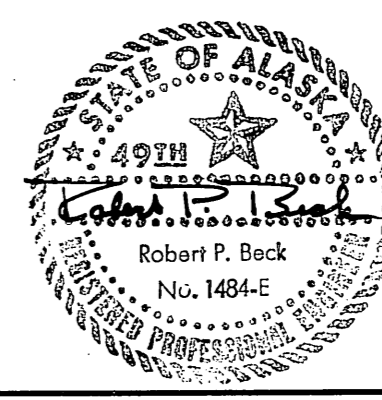
DRILLING SCHEDULE	
SHOP DRILL	FIELD DRILL
Sills ~ all holes.	Braces ~ all holes.
Stringers ~ holes for sill to stringer bolts & holes for splice block bolts.	Splice blocks ~ all holes.
Blocking ~ all holes.	Stringers ~ holes for stringer to 6' float stringer bolts & stringer to stabilizer bolts.

Drill holes for flotation billet bolts 1/8" oversize.  
Drill holes for all other bolts 1/16" oversize.  
Drill holes for spikes 1/16" undersize.  
Counter-bore for all bolt heads facing decking.

DO NOT SCALE THIS DRAWING - USE DIMENSIONS

STATE OF ALASKA  
DEPARTMENT OF PUBLIC WORKS  
DIVISION OF WATER AND HARBORS

**WRANGELL**  
**STALL FLOATS**



SCALE: As Noted	SURVEYED:	APPROVED:
DESIGNED: Robert P. Beck	DRAWN: EB	Don Statter
CHECKED: D.C.W.	DATE: Dec. 1974	DIRECTOR
PROJECT NUMBER: 3-75/31	SHEET 6 OF 6	