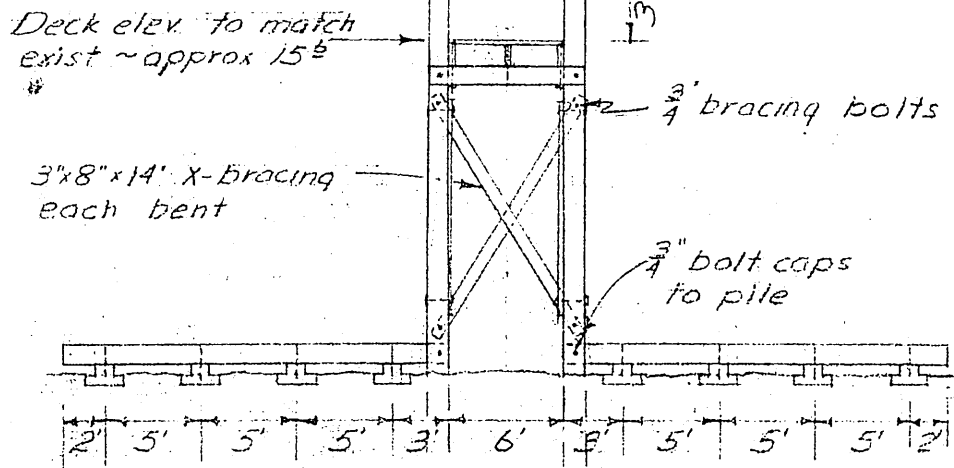
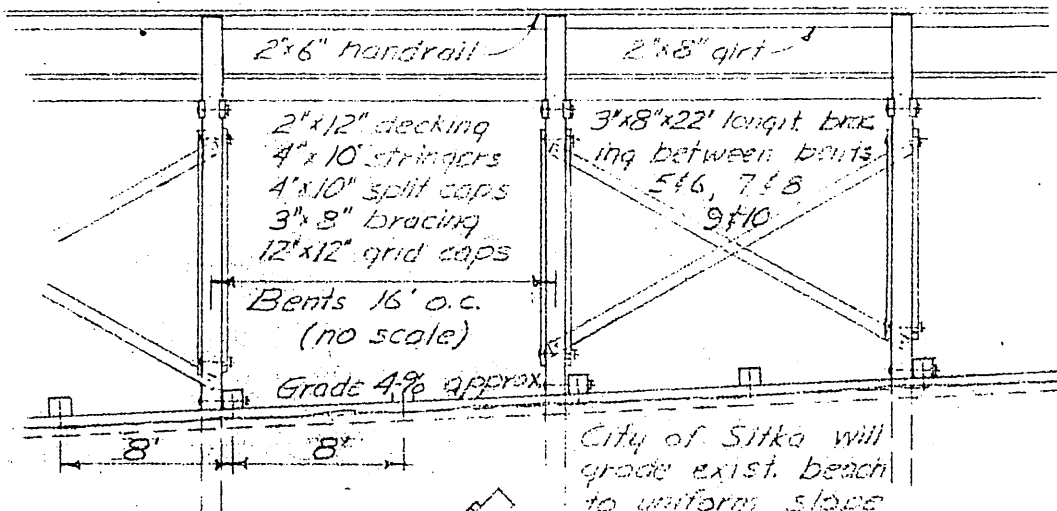


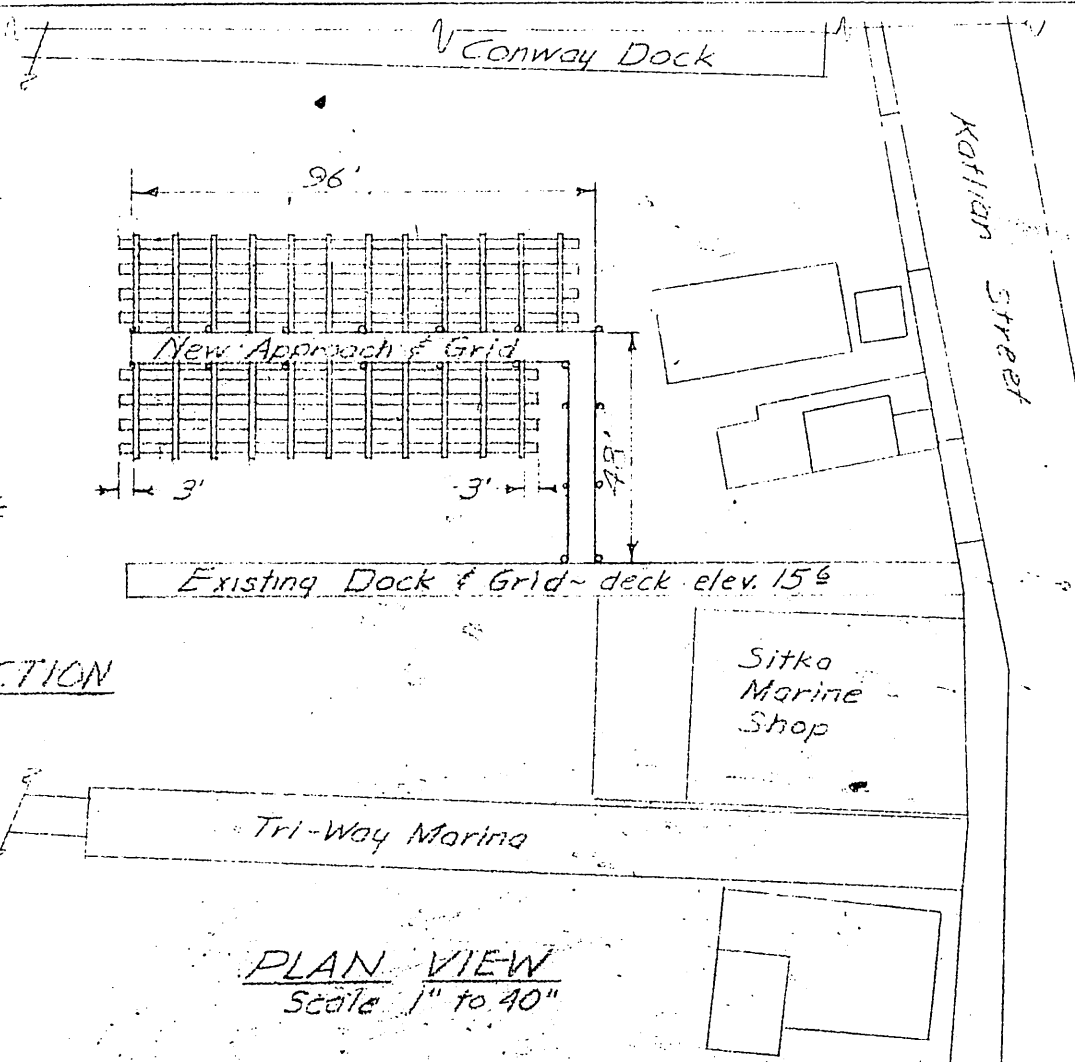
Piling will be provided by City of Sitka
 Piling to be driven to 6' penetration or refusal.
 Utilize 'set-up' detail where penetration is less than 18"
 All bolts to be economy head type



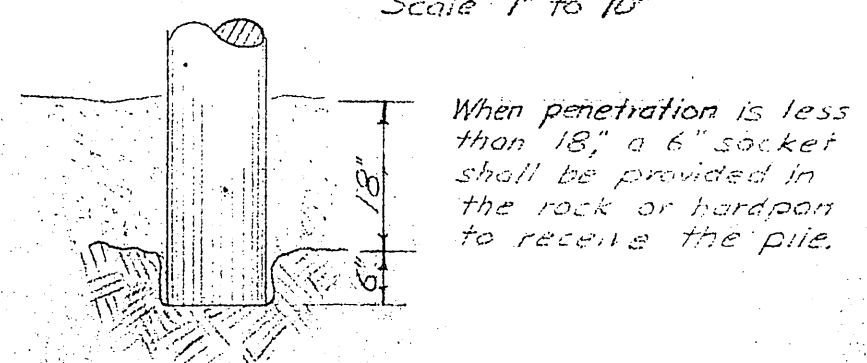
TYP. X-SECTION
 Scale 1" to 10'



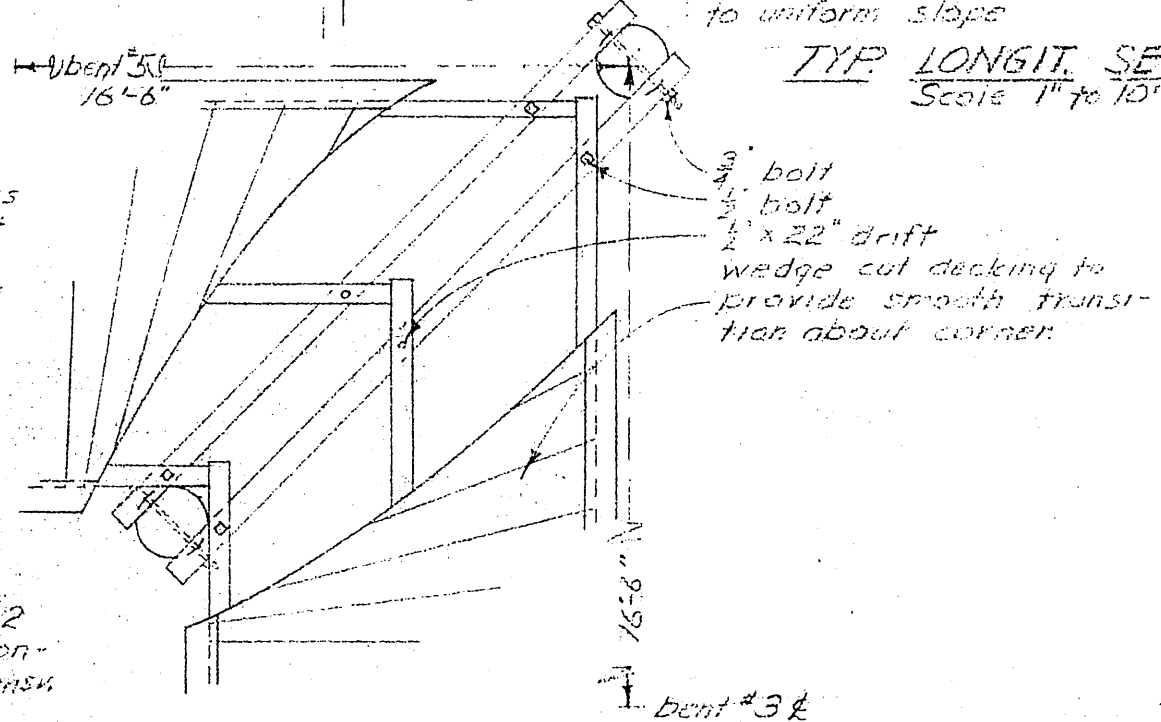
TYP. LONGIT. SECTION
 Scale 1" to 10'



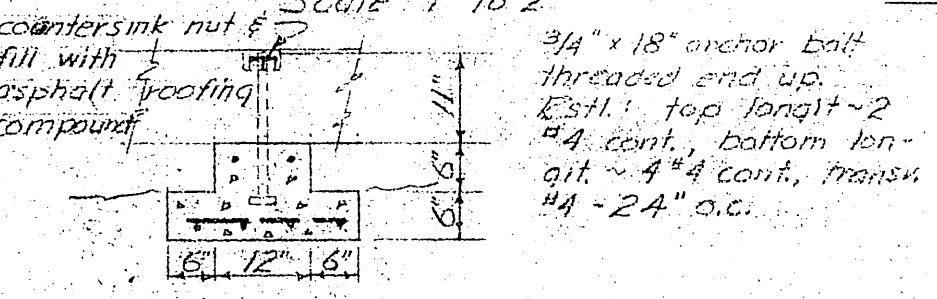
PLAN VIEW
 Scale 1" to 40'



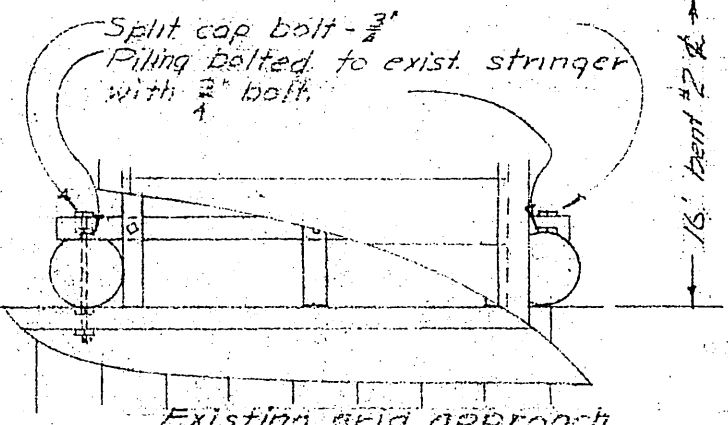
PILE SET-UP DETAIL
 Scale 1" to 2'



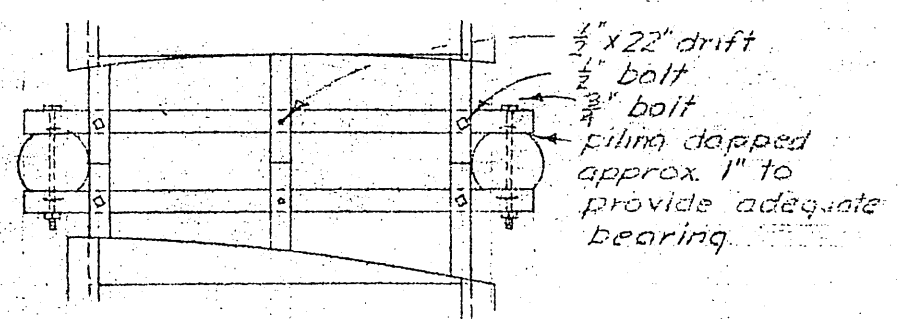
CAP & STRINGER, CORNER DET.
 Scale 1" to 3'



RSTL. & FTG. DETAIL
 Scale 1" to 2'



CAP & STRINGER, CONNECTION TO EXISTING APPROACH DETAIL
 Scale 1" to 3'



CAP & STRINGER, TYP. DETAIL
 Scale 1" to 3'

Notes:
 All hardware, except rstl., to be hot dip galvanized.
 Grid caps (S2S), pile bracing (rough), split caps (rough), & stringers (S2E) to be construction grade, Doug. fir, 12# creosote retention.
 Decking (S1S2E), handrail (S4S) & handrail girts (S4S) to be Sitka Spruce.
 All field drill holes & field cut surfaces (pressure mat.) thoroughly treated with hot creosote oil.
 Decking, handrail & handrail girts to be nailed with 20d galvanized nails.
 Ladders to be provided by other forces.
 Concrete to be Class A.

STATE OF ALASKA DEPARTMENT OF PUBLIC WORKS DIVISION OF WATER AND HARBORS		
SITKA GRID		
SCALE As Shown	DATE November 4, 53	APPROVED <i>R.A. Downing</i> COMMISSIONER
PROJ. NO. W-64148	SURVEYED BY Sitka	DRAWN BY <i>P.</i> CHECKED BY <i>DS.</i>

SITKA GRID
A-4-68