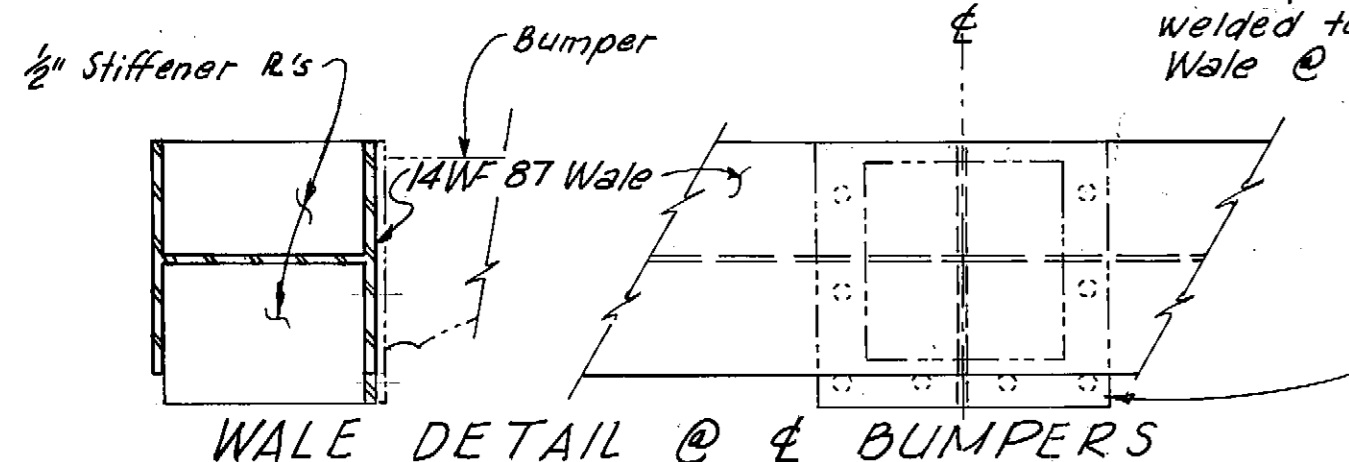


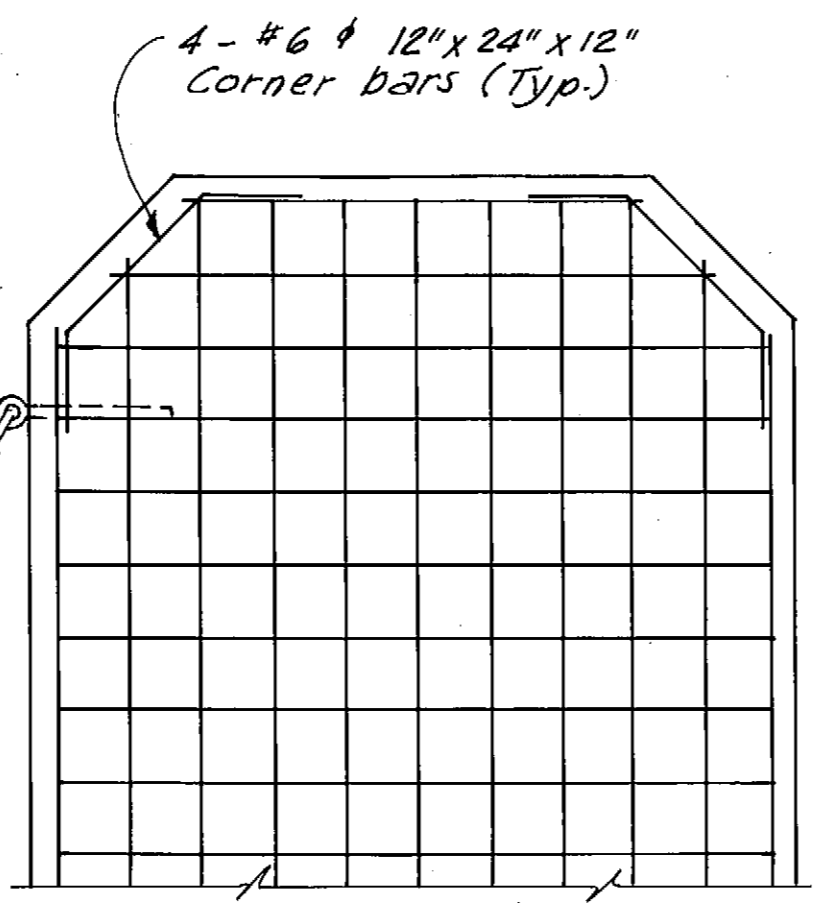
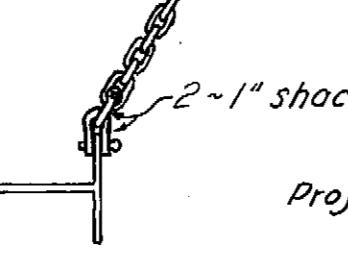
PLAN



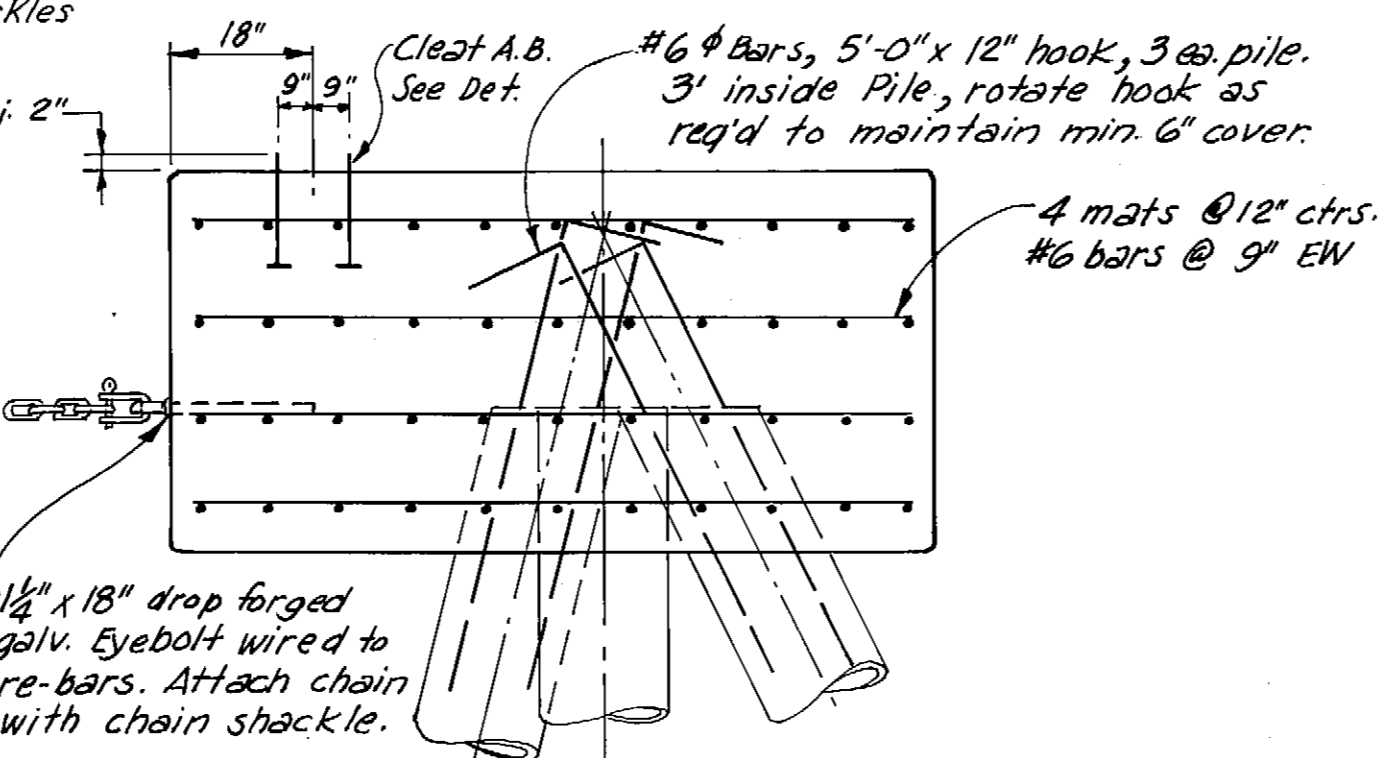
WALE DETAIL @ 4 BUMPERS

PILES

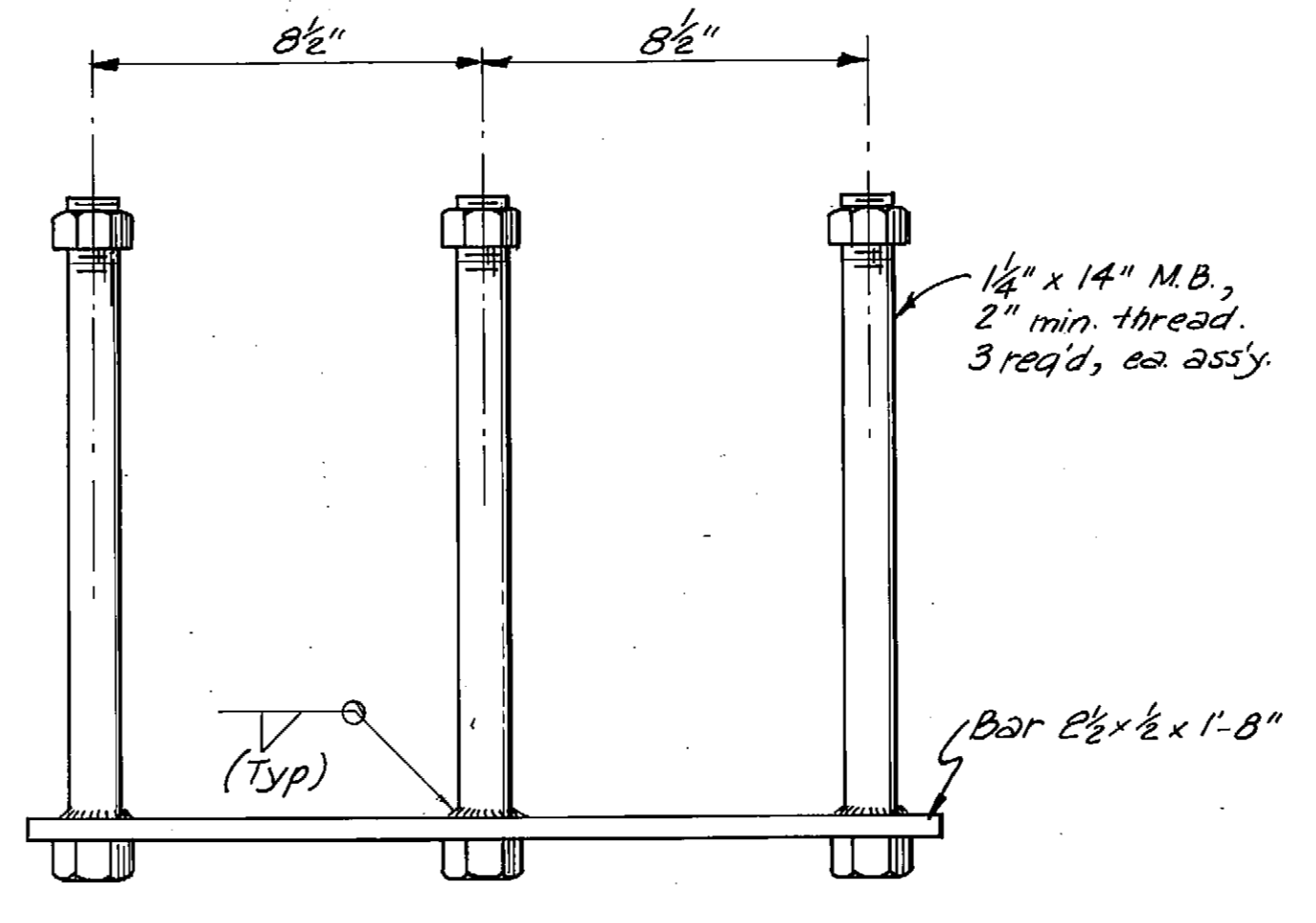
Length	Penet.
① 87'	37 1/2'
② 87'	37 1/2'
③ 88'	37 1/2'
④ 88'	37 1/2'
⑤ 82'	31'
⑥ 82'	31'
⑦ 68'	12'
⑧ 68'	12'
⑨ 68'	12'
⑩ 68'	12'



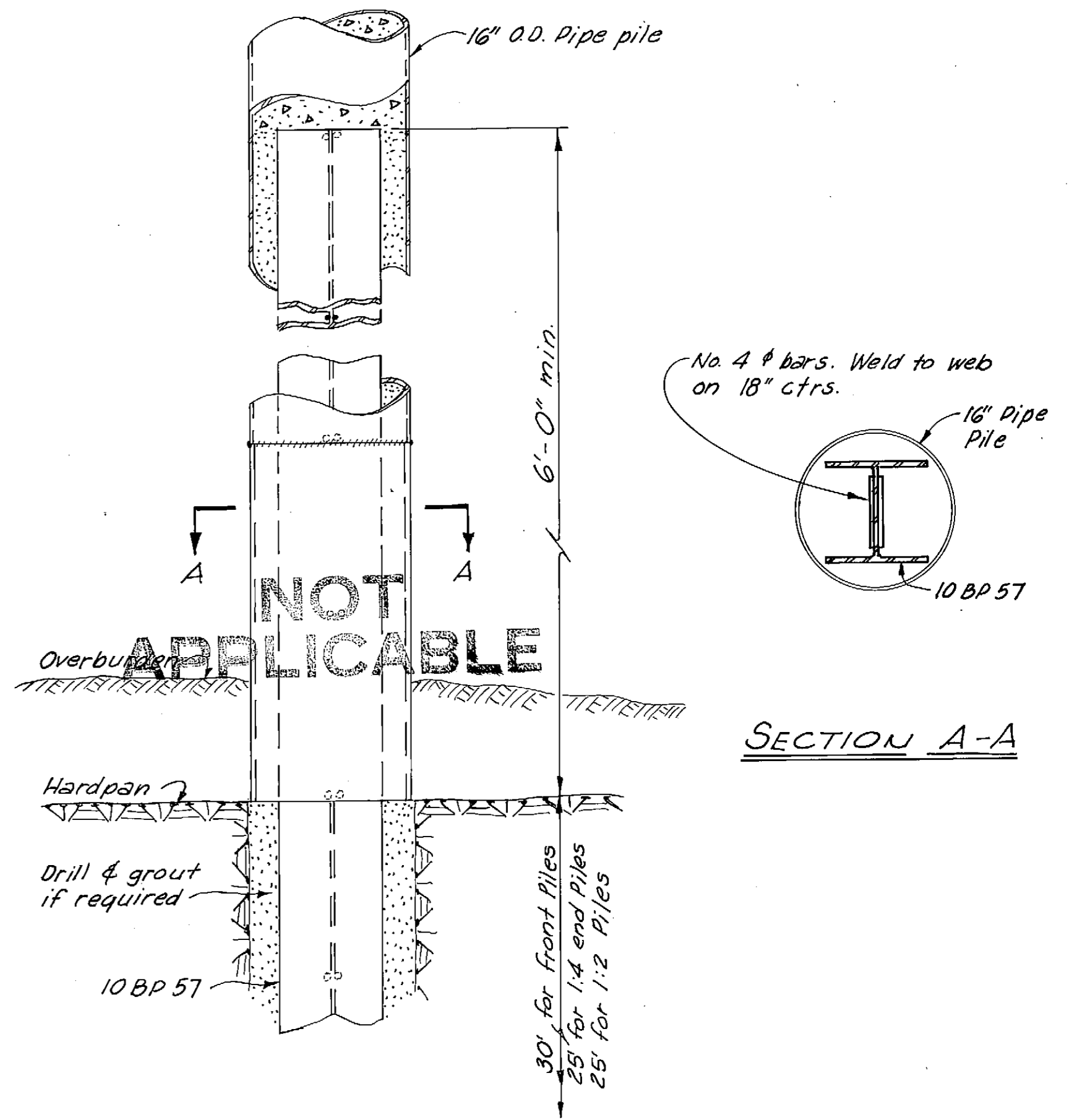
DOLPHIN CAP PLAN



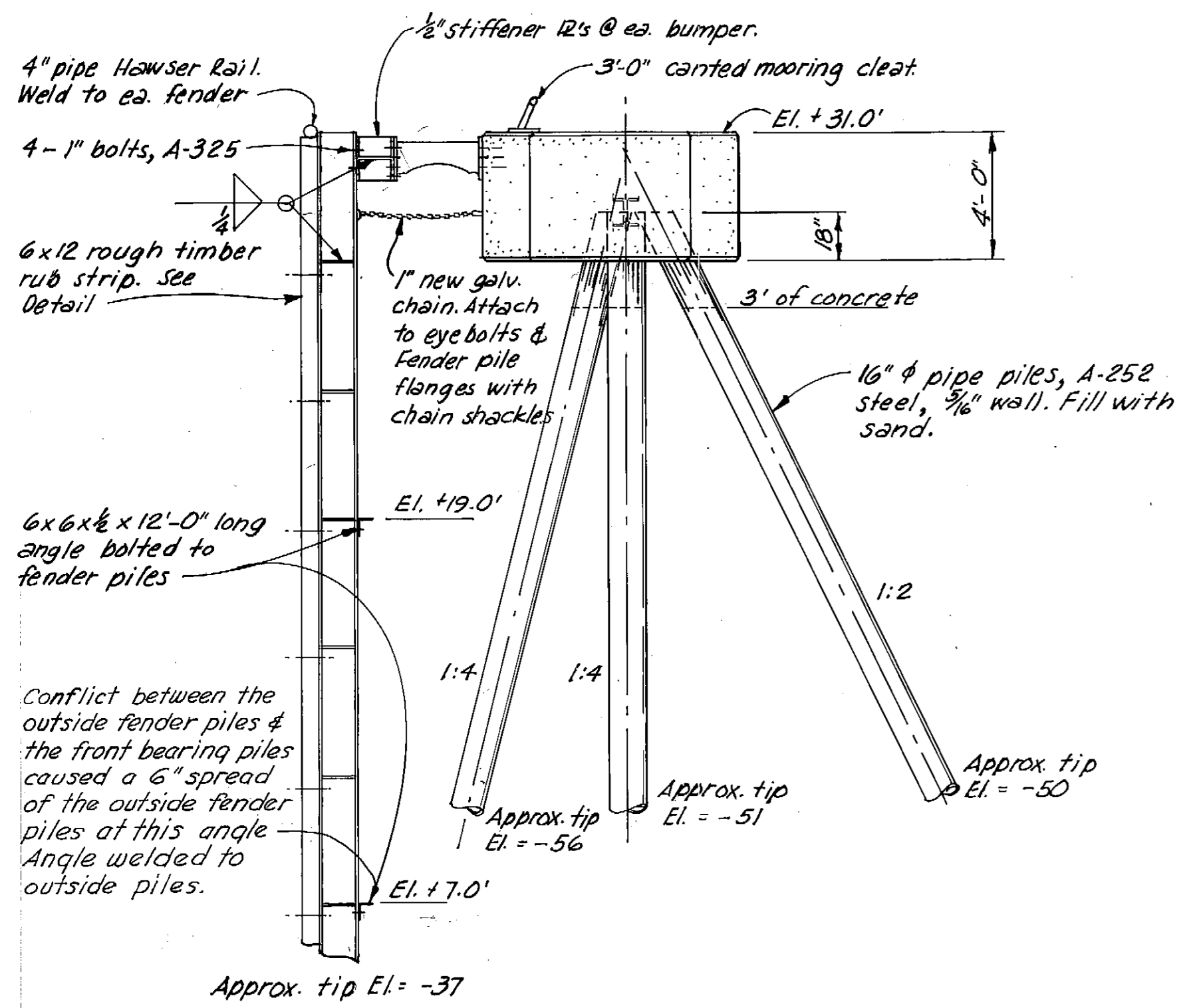
REINFORCING DETAILS



MOORING CLEAT ANCHOR BOLT ASSEMBLY

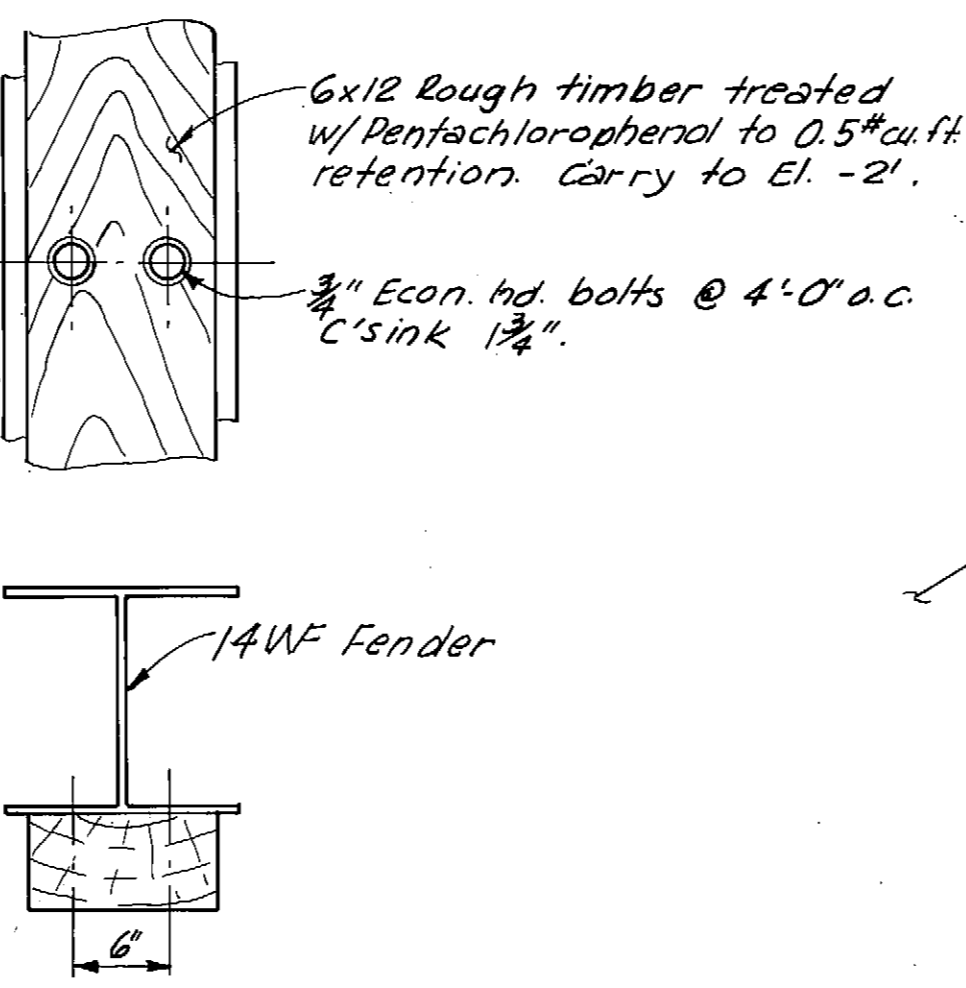


ALTERNATE PILE ANCHOR DETAIL

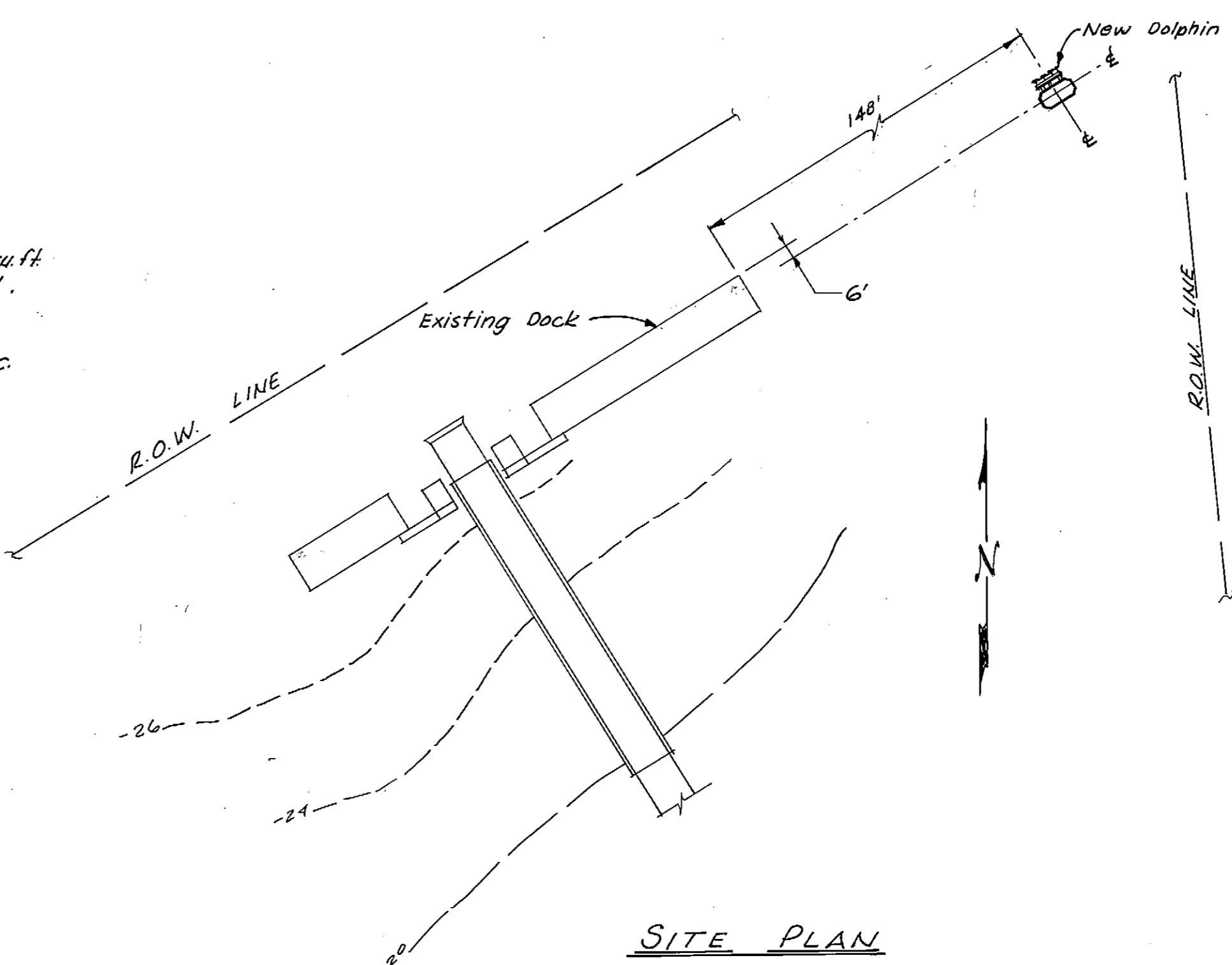


ELEVATION

DOLPHIN DETAILS



RUB STRIP DETAIL



SITE PLAN

As Constructed 11/30/71

DO NOT SCALE THIS DRAWING - USE DIMENSIONS

STATE OF ALASKA
DEPARTMENT OF PUBLIC WORKS
DIVISION OF WATER AND HARBORS

BREASTING DOLPHIN
PETERSBURG FERRY TERMINAL

SCALE As shown	SURVEYED	APPROVED
DESIGNED DW	DRAWN JET	Don Statter
CHECKED DW	DATE 6-7-71	DIRECTOR
PROJECT NUMBER MT-138	SHEET 1 OF 2	