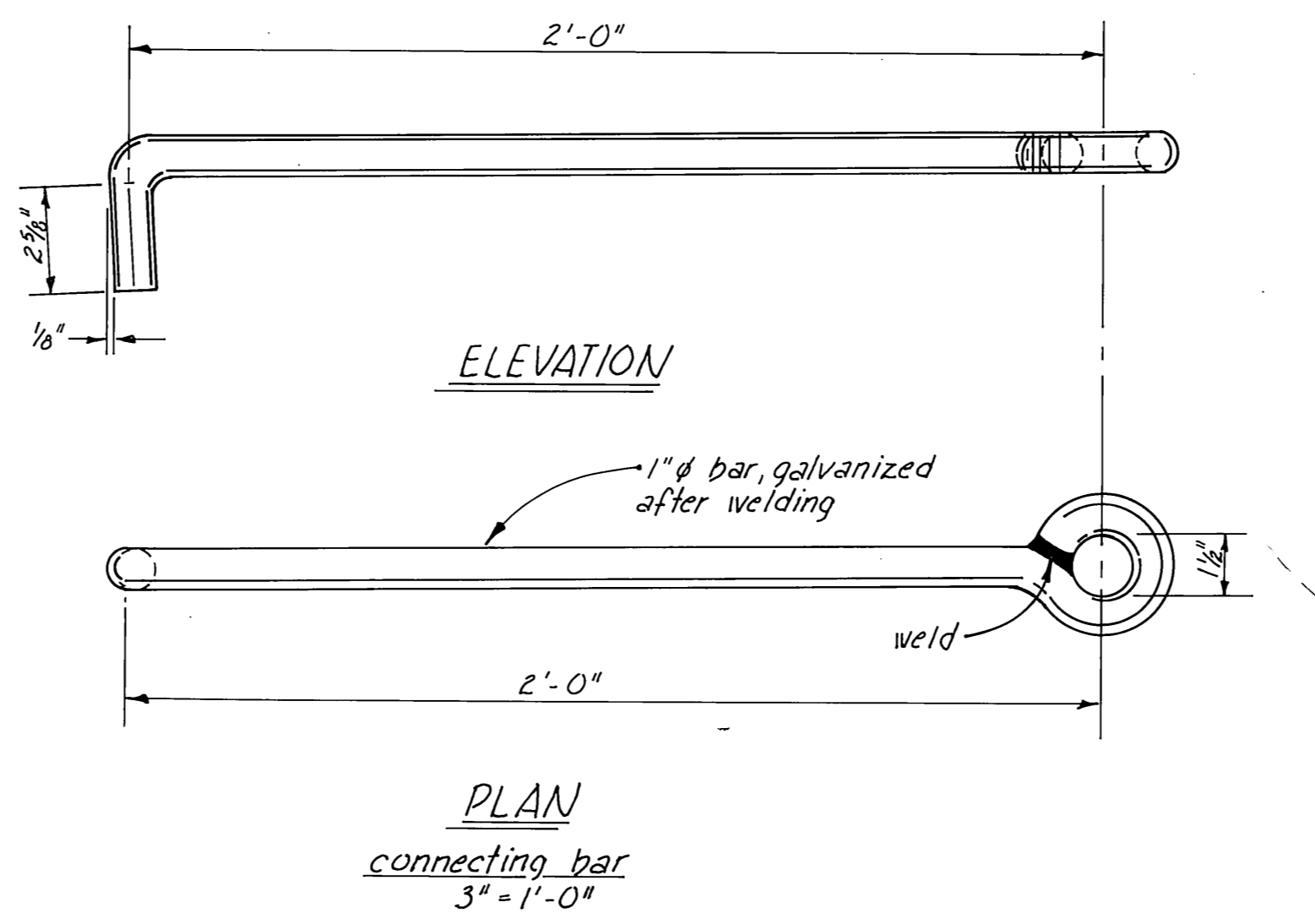
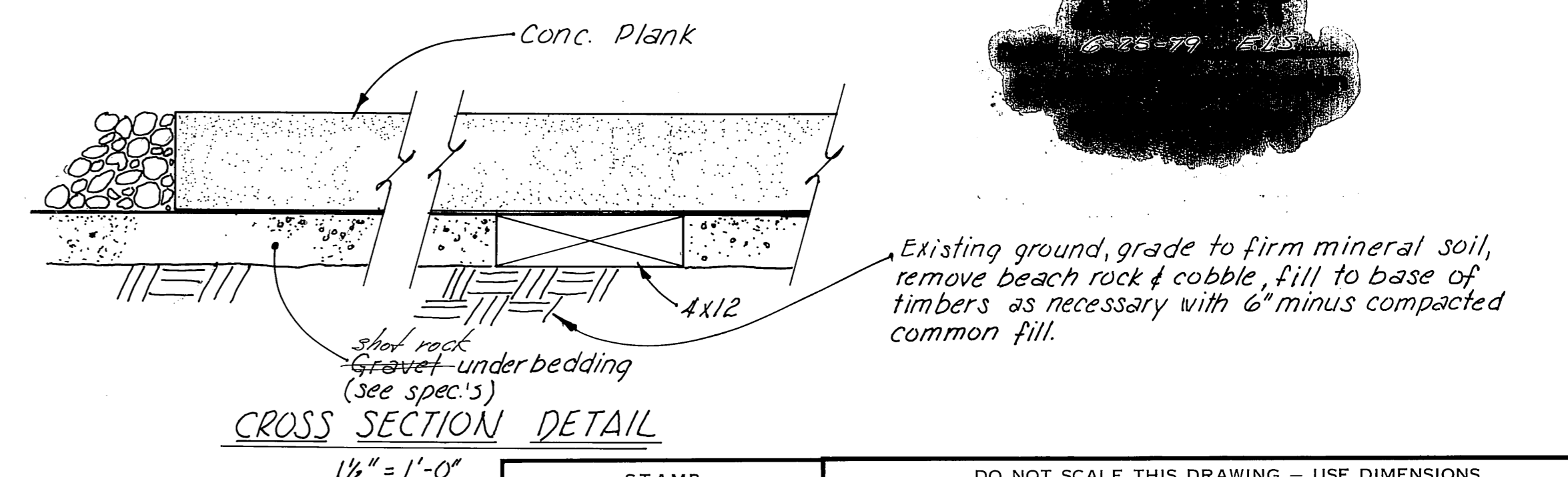
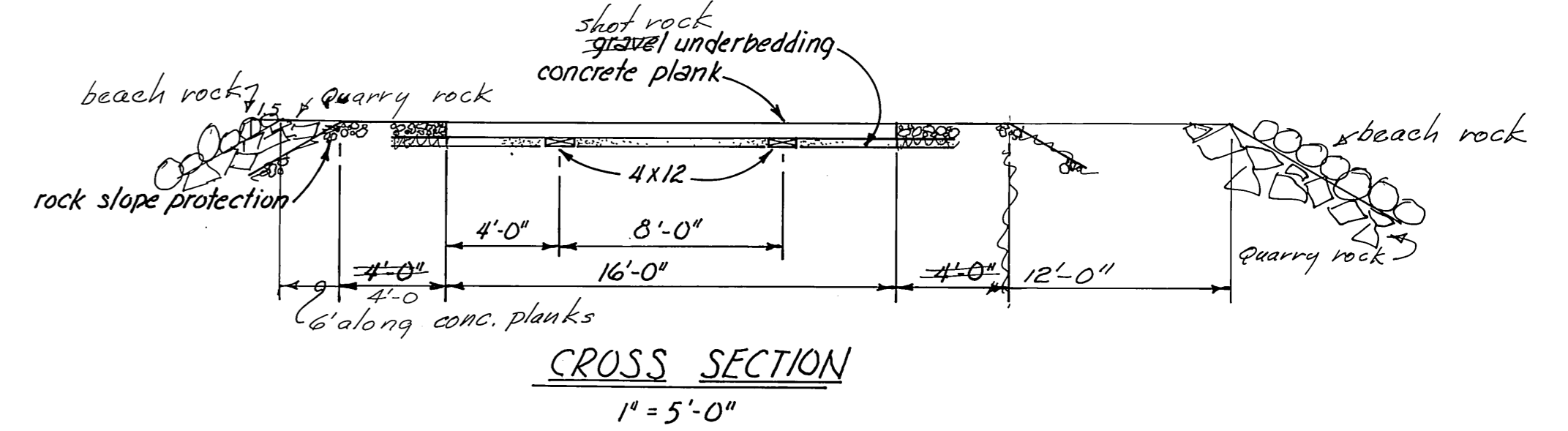


End of Forest Serv. Parking Area. Verify in Field

Note: Vertical Control Bench - Top of Brass Cap Monument Cor #1 = 13.50 ft. 14.50

PROJECT CONTROL (horiz.) scale 1" = 20'-0" Based on set corner monuments COR #1 & RCM COR #1 ATS # 1087



Note: Concrete $f_c \geq 5000$ psi
Reinforcing steel $f_c = 60,000$ psi

STAMP		DO NOT SCALE THIS DRAWING - USE DIMENSIONS	
		STATE OF ALASKA DEPARTMENT OF TRANSPORTATION AND PUBLIC FACILITIES DIVISION OF HARBOR DESIGN AND CONSTRUCTION	
		LAUNCH RAMP DETAILS	
SCALE: As Noted	SURVEYED: _____	APPROVED: _____	
DESIGNED: _____	DRAWN: GRF	DIRECTOR: _____	
CHECKED: _____	DATE: Dec 1978		
PROJECT NUMBER: K30151	SHEET 2 OF 2		