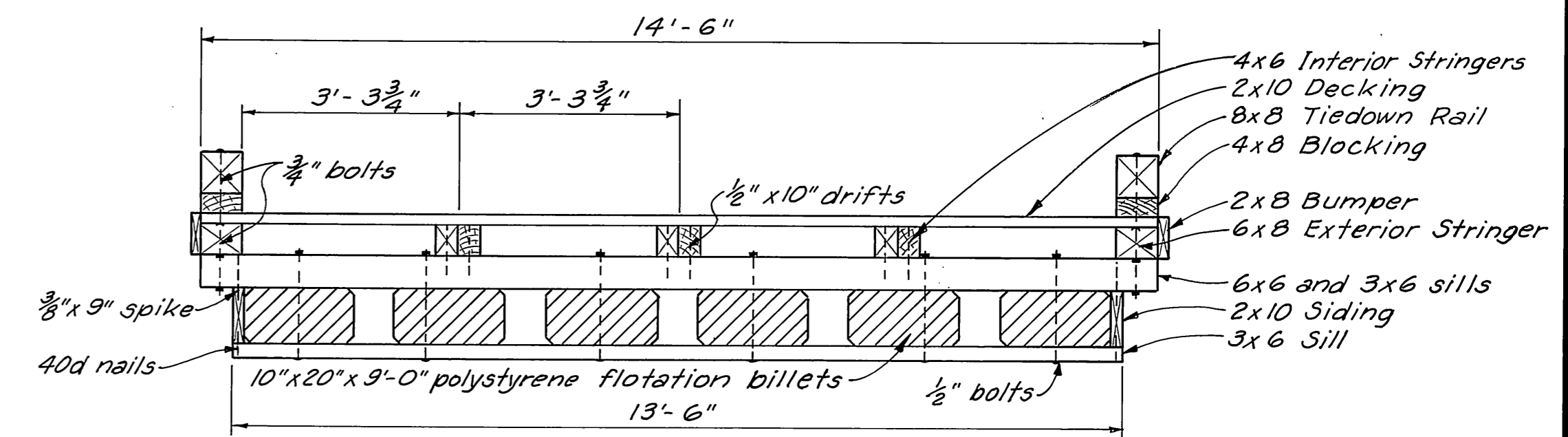


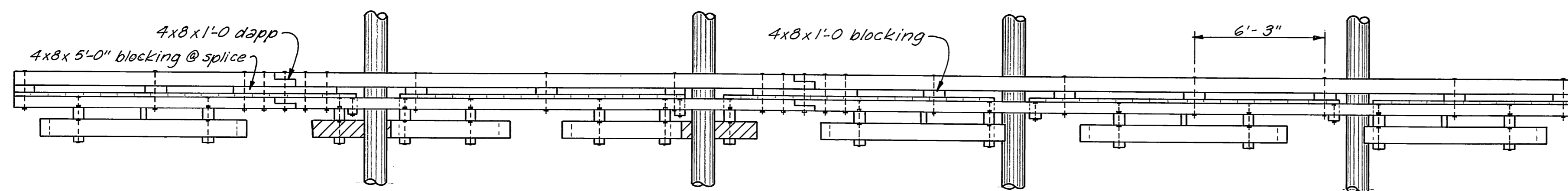
PLAN

1/4" = 1'-0"



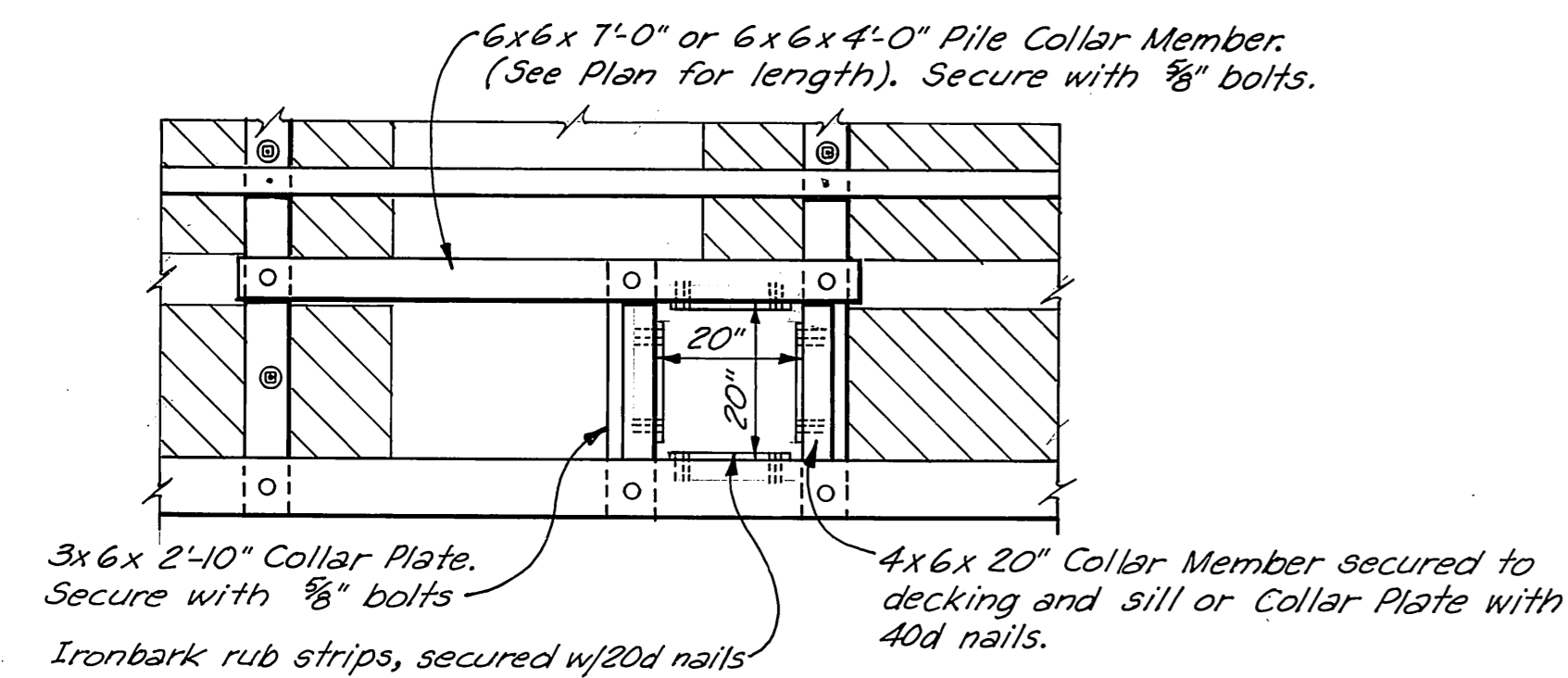
TYPICAL SECTION

1/2" = 1'-0"



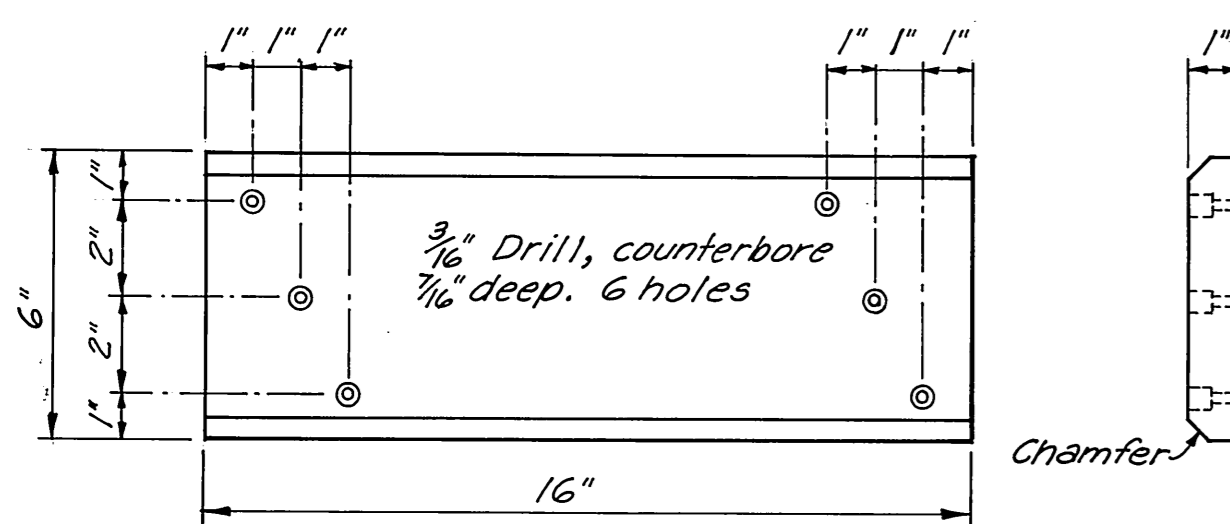
ELEVATION

1/4" = 1'-0"



PILE COLLAR DETAIL

1/2" = 1'-0"



IRONBARK RUB STRIP

3" = 1'-0"

MATERIALS		
ITEM	DRESSING	TREATMENT
3x6 & 6x6 upper sill	S-1-E 1/8" off	12 lbs. ret.
2x10 Siding	2" x 10 1/2"	" " "
3x6 lower sill	Rough	" " "
3x6 Collar Plate	Rough	8 lbs. ret.
4x6 Collar Member	S-2-E	" " "
4x6 Interior Stringer	" " "	" " "
6x8 Exterior Stringer	S-4-S	" " "
2x8 Bumpers	" " "	" " "
6x6 Collar Stringer	" " "	" " "
2x10 Decking	S-1-S-2-E	" " "
4x8 Blocking	S-4-S	" " "
8x8 Tiedown Rail	" " "	" " "

All 12-lb. creos. treatment to be Full Cell process.
All 8-lb. creos. treatment to be Empty Cell process.
All mat'l to be constr. grade Douglas fir.

PRE-DRILLED BOLT HOLES

Collar Members ~ all holes.
Sills ~ holes for flotation plank bolts.
Stringers ~ holes for stringer to sill bolts.
Tiedown Rail ~ all holes.
Pile Collar Stringer ~ all holes

FIELD DRILLED BOLT HOLES

Sills ~ holes for stringer to sill bolts.
~ holes for pile collar stringer to sill.
Rail Blocking ~ all holes.
Collar Plates ~ all holes.
Exterior Stringer ~ holes for tiedown rail bolts.
~ holes for Pile Collar Plate bolt.

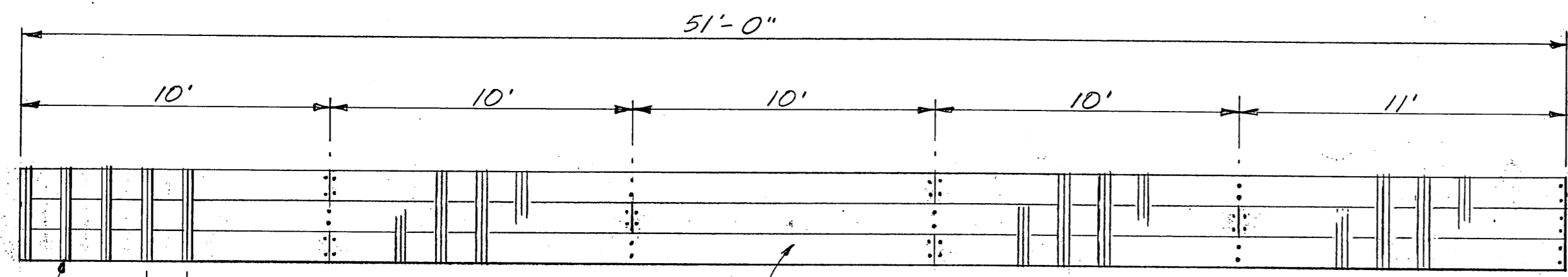
NOTES:

- All hardware to be hot dip galvanized. A malleable iron washer shall be placed between all nut & wood surfaces.
- All bolts to be of the economy headed type. Bolt holes to be 1/16" oversize, except sill bolt holes for flotation planks to be 1/8" oversize.
- Drift holes to be 1/16" undersize.
- All pressure treated creosote material shall be cut to size prior to treatment. All bolt heads facing decking shall be countersunk 1/4" prior to treatment.
- All field drilled holes shall be treated with hot creosote oil.
- A barrier of 6mil black polyethylene shall be placed between the contact surfaces of all creosote timber and flotation material (except float siding members).

AS BUILT

1-5-71 EJS (JET)

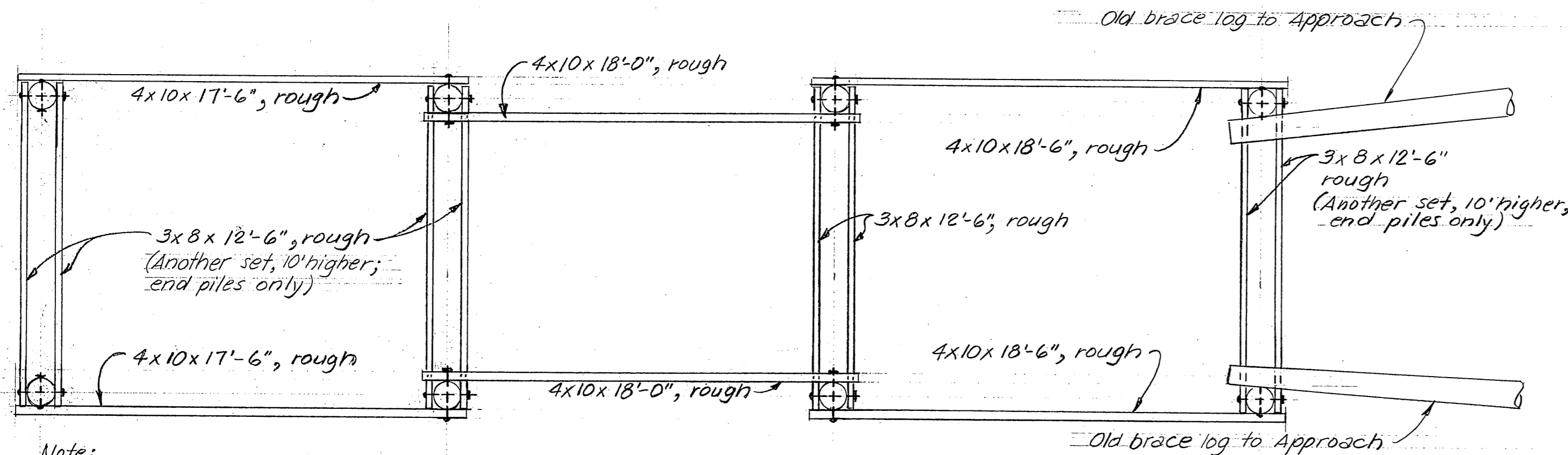
DO NOT SCALE THIS DRAWING - USE DIMENSIONS		
STATE OF ALASKA DEPARTMENT OF PUBLIC WORKS DIVISION OF WATER AND HARBORS		
CONSTRUCTION DETAILS FISH AND GAME FLOAT PETERSBURG, ALASKA		
SCALE AS SHOWN	SURVEYED	APPROVED
DESIGNED	DRAWN JET/EJS	Don Statter
CHECKED	DATE 8-18-70	DIRECTOR
PROJECT NUMBER FG-1	SHEET 1 OF 2	



16" (typ)
Cleats to be diagonally sawn from 3" rough lumber, treated w/ pentachlorophenol to 0.5lb. ret. Use 6 20d nails, each cleat.
2x12, S-1-S, Constr. grade Douglas fir, pressure treated with pentachlorophenol to 0.5lb. retention. Splice as shown and secure with 3/8" x 4" galv. bolts. Drill all bolt holes in field.

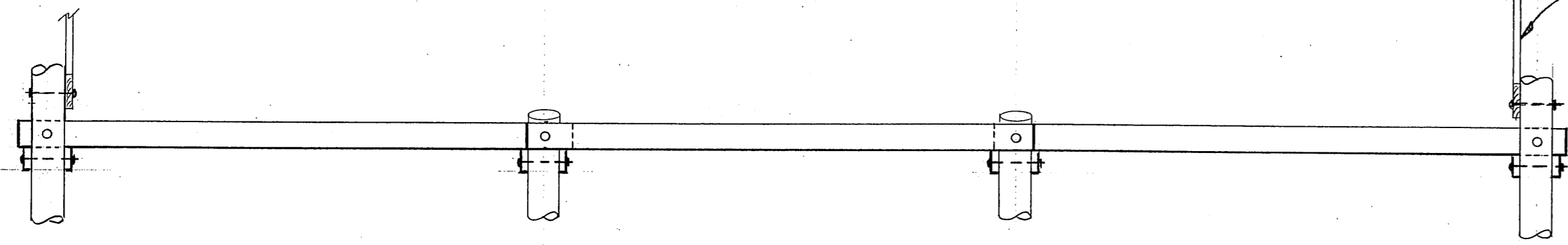
GANGWAY REDECKING PLAN

1/4" = 1'-0"



Note:
Secure all bracing members with 3/8" econ. hd. bolts.
All timber to be 8lb creo. retention.

PLAN



PARTIAL ELEVATION

PILE BRACING MEMBERS - REPLACEMENT DETAILS

1/4" = 1'-0"

FOR NEW FLOAT DETAILS SEE SHEET 1 OF 2

Replace covered walkway supports, handrails, girts & posts.

Timber Material req'd (Penta treated):

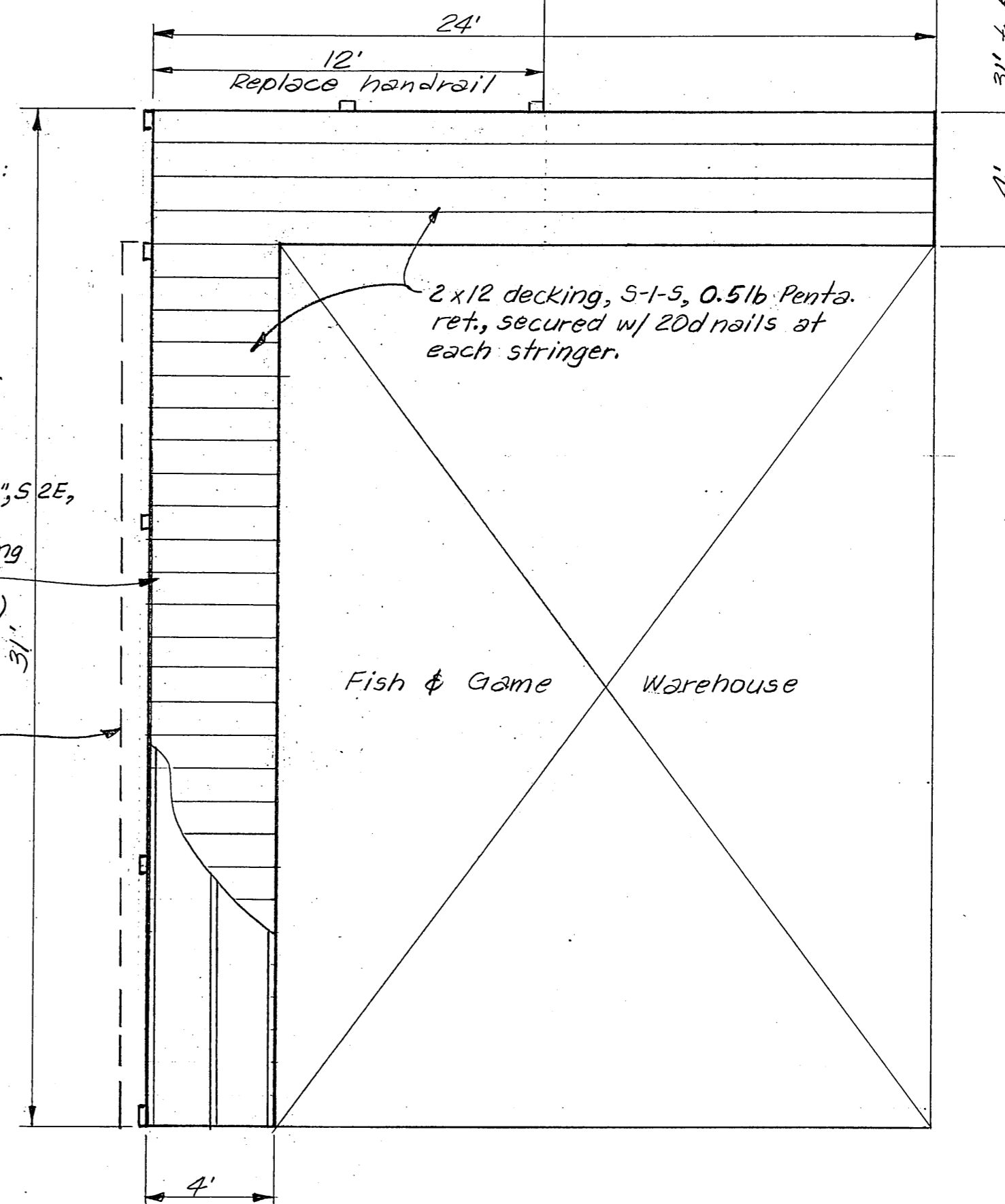
- 4 - 4x4x8'-0"
- 3 - 4x4x5'-0"
- 2 - 2x6x18'-0"
- 4 - 2x6x16'-0"
- 3 - 2x4x16'-0"

Hardware:

- 14 - 1/2" x 7" Econ. hd. bolts (post to stringer bolts)

Replace existing stringers, this side of building only.
New stringers to be 3x10x12'-0", S2E, 8lb. creo. ret. constr. grade Douglas fir. Secure to existing 12x12 caps with 1/2" drifts (3 stringers req'd per 10' span)

Covered walkway



WALKWAY REDECKING PLAN

1/4" = 1'-0"

AS BUILT 1-5-71 E/S (JET)

STATE OF ALASKA
DEPARTMENT OF PUBLIC WORKS
DIVISION OF WATER AND HARBORS

MISCELLANEOUS REPAIRS
FISH & GAME DOCK AND FLOAT
PETERSBURG, ALASKA

SCALE AS SHOWN
DATE 8-12-70
PROJ. NO. FG-1

APPROVED Don Statter
DIRECTOR

DESIGNED BY JET
DRAWN BY JET

SHEET 2 OF 2