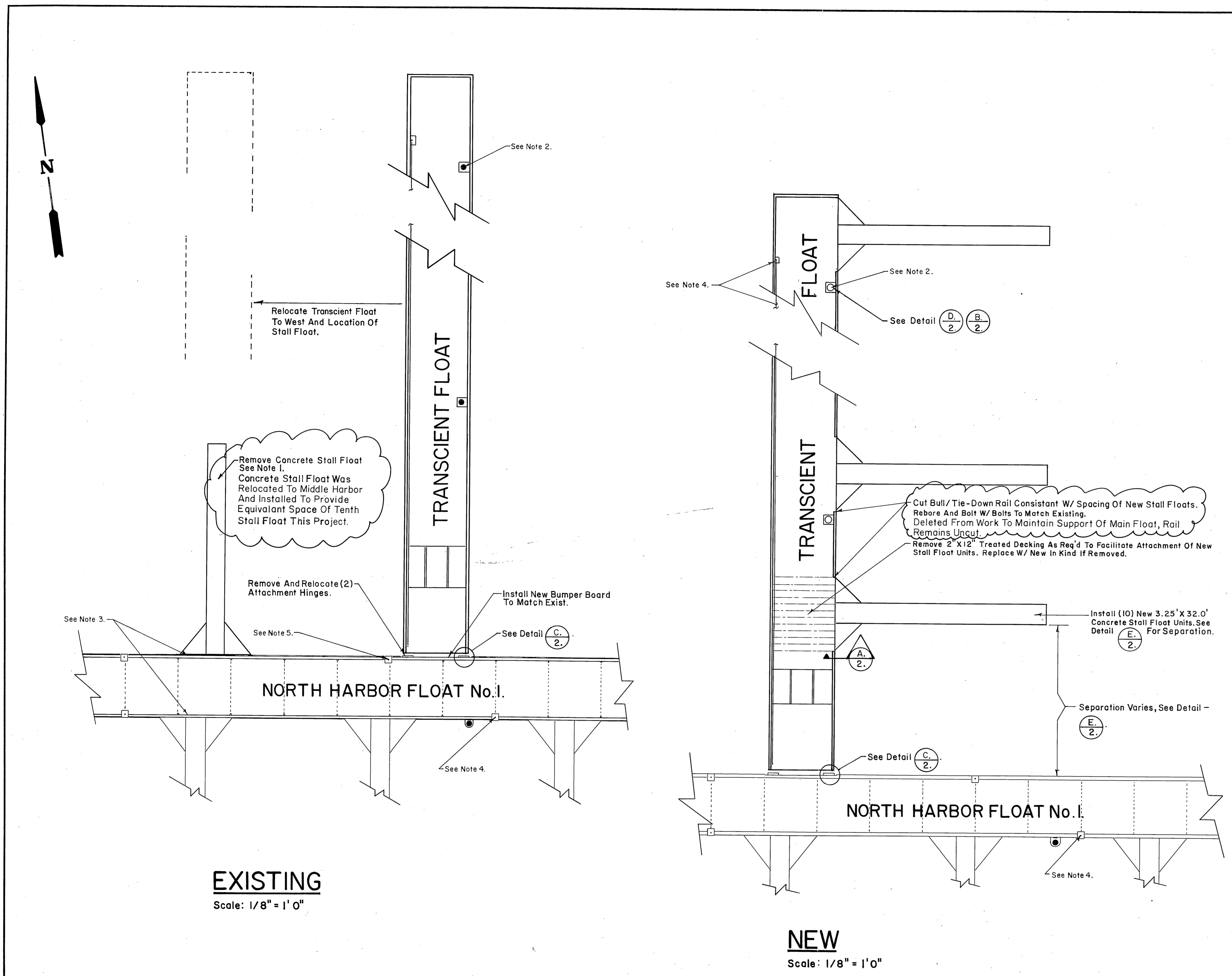


NOTE:

1. Relocate Stall Float To Designated Storage Area Of Harbor Masters Choice. Stall Float To Be Placed For Storage Only. One New Wood Stall Float Was Placed In Storage. One Exist. Concrete Float Relocated And Installed.
2. Remove Six (6) Existing Creosote Treated Wood Piling, Fractured Or Broken Piles Shall Be Removed To The Elevation Of The Harbor Bottom. Drive Six (6) New 12" X .375" Wall Steel Galvanized Piles Following Relocation Of The Transcient Float. Drive New Piles To 15 Vertical Foot Embedment Or Refusal. Cut Off Piles At +30 Ft. Elevation.
3. Some Exist. Thru. Bolts Retain Opposing Stall Floats; Contractor Shall Remove And Replace Securing Bolts Or Nuts In Sequence So As To Maintain Support Of Stall Floats During The Work.
4. The North Harbor Float No. 1. Has Steel Pipe Electrical Service Poles Located Generally Along The South Side. Three Electrical Poles Of The Same Type Exist Along The Transcient Float Which Are Interconnected By Electrical Conduit Extending Along The West Bull/Tie down Rail.
5. All Electrical Utility Work To Be Performed By The Petersburg Municipal Power And Light Department. Contractor Shall Notify P.M.P. & L. Dept. For Disconnect 48 Hours In Advance.

**RECORD
DRAWING**



EXISTING
Scale: 1/8" = 1' 0"

NEW
Scale: 1/8" = 1' 0"

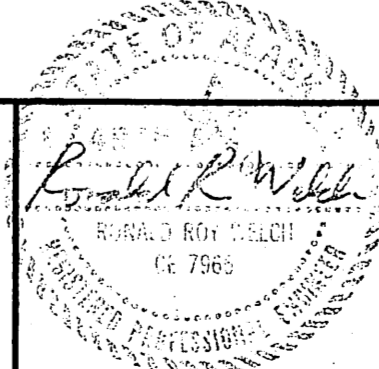
GRAPHIX INC. 338895E

Approved by:

| | | | | | |
|--|--|--|--|--|--|
| | | | | | |
|--|--|--|--|--|--|

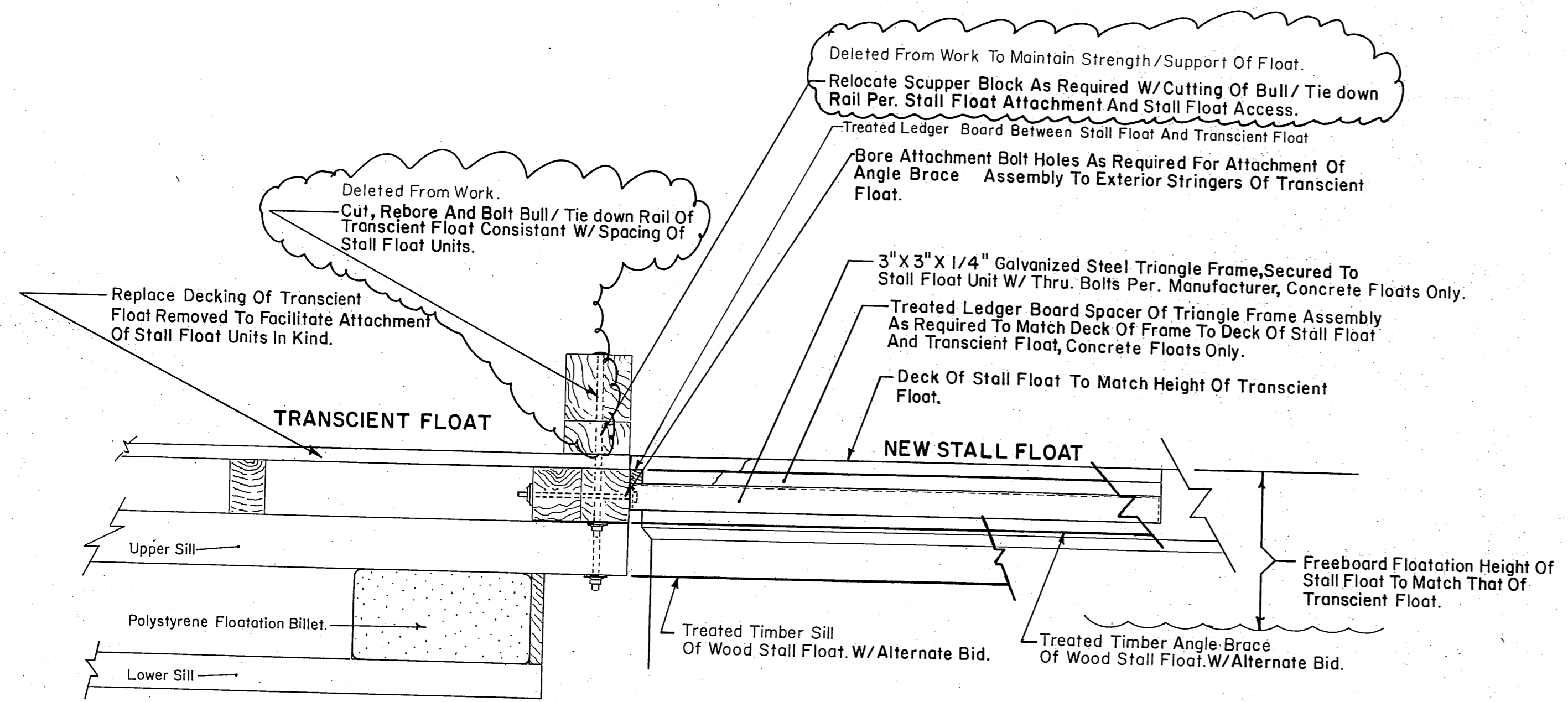
| No. | Date | By | Ckd. | Appr. | Revision |
|-----|------|----|------|-------|----------|
| | | | | | |

Drawn by: K.J.T. 7/91
 Designed by: K.J.T. 7/91
 Checked by: R.R.W. 7/91
 Approved by: R.R.W. 7/91

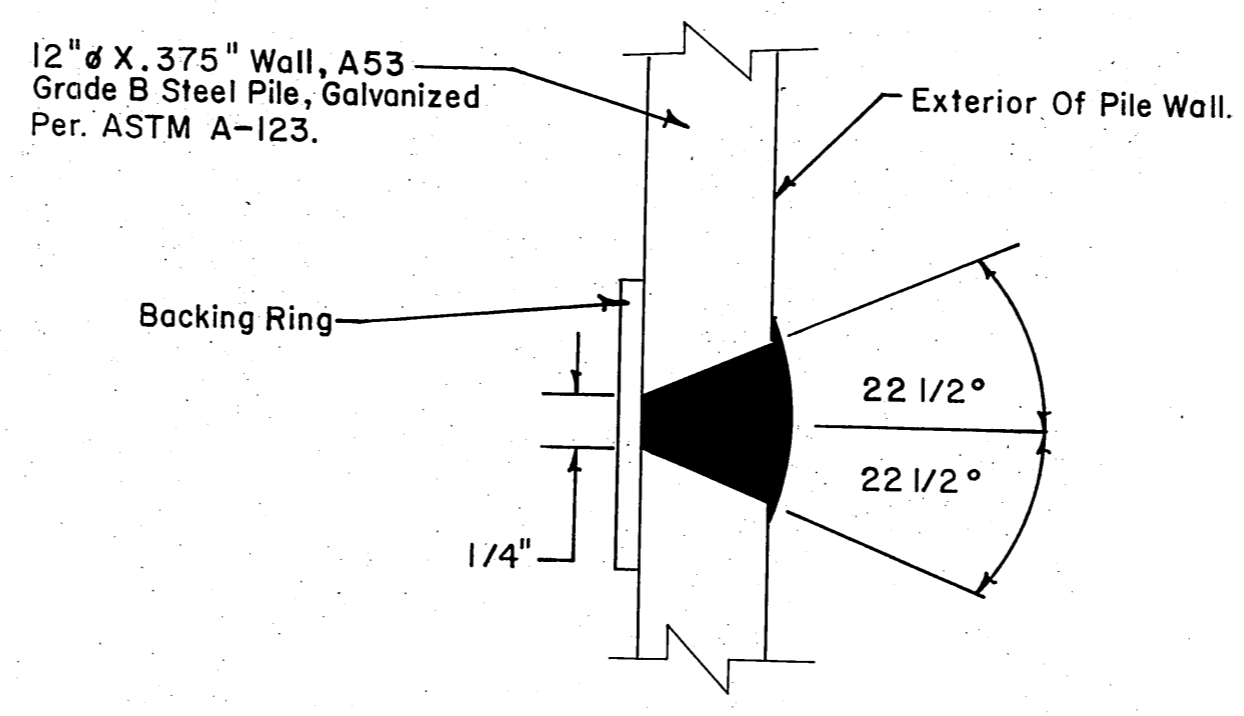


CITY OF PETERSBURG
TRANSCIENT FLOAT UPGRADE PROJECT
 Contract 91-3
 December - 1990.

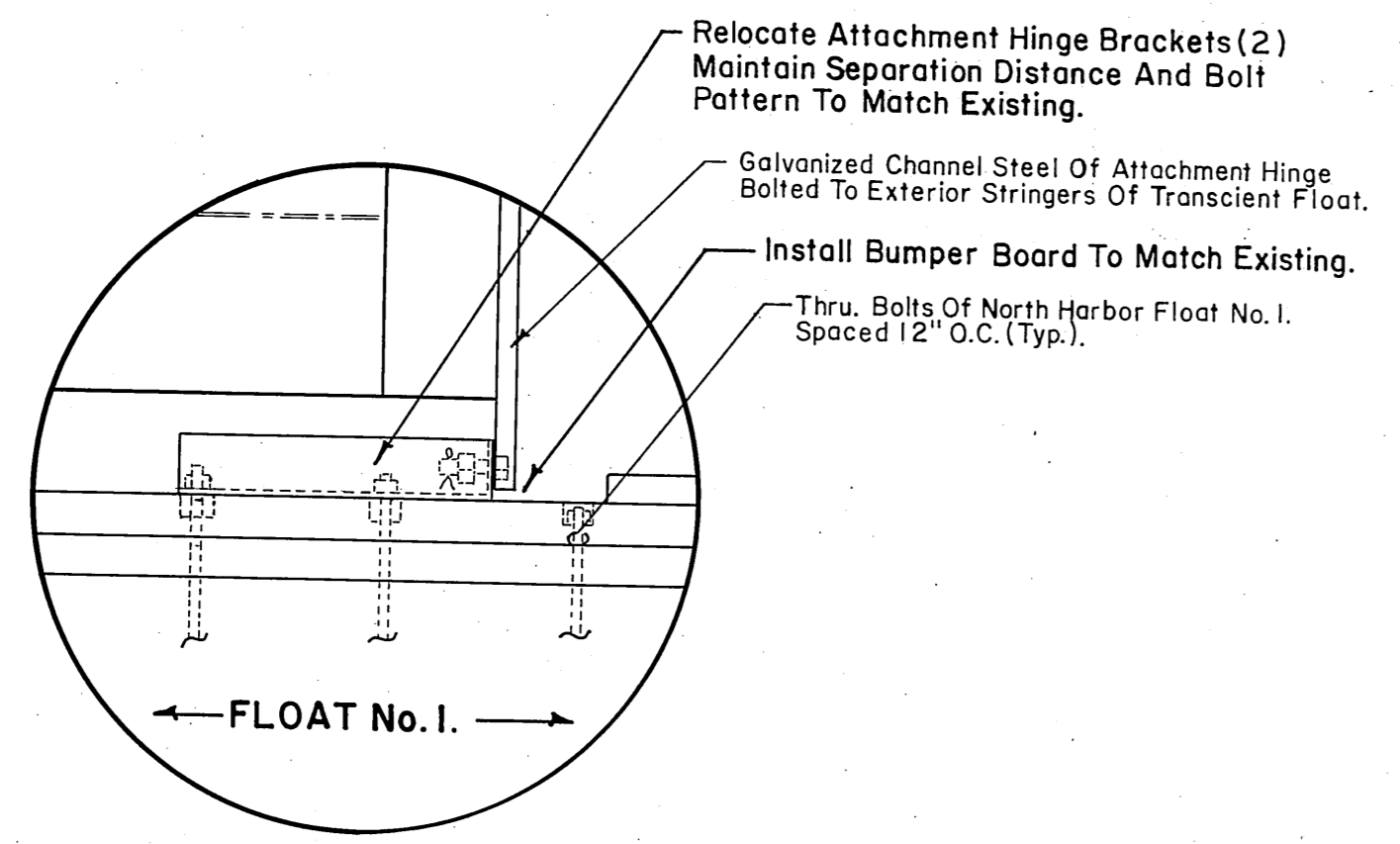
Sheet 1.
 of 2.
 Scale
 As Shown



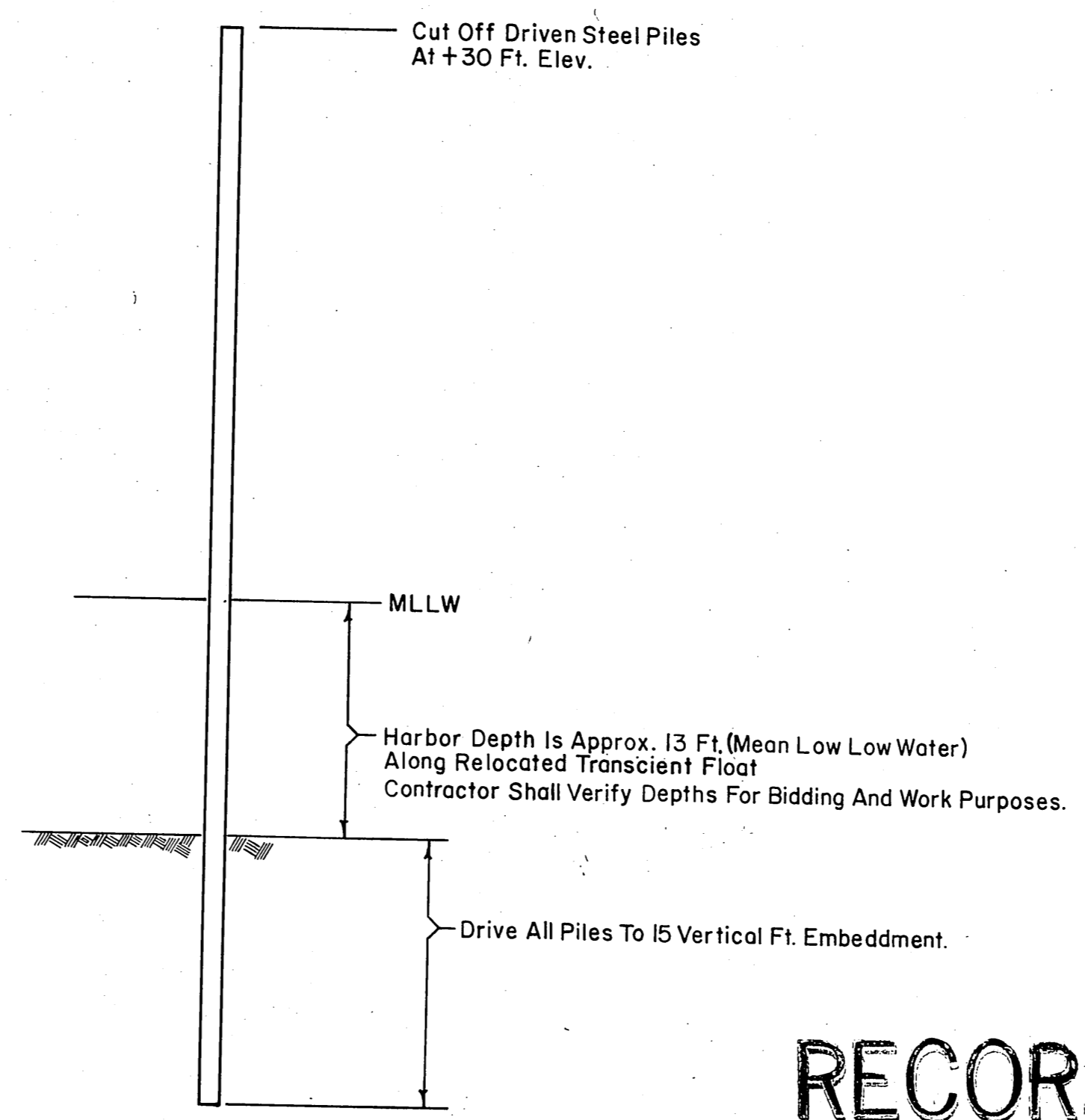
A
Section-NEW STALL FLOAT ATTACHMENT
Scale: 1" = 1'0"



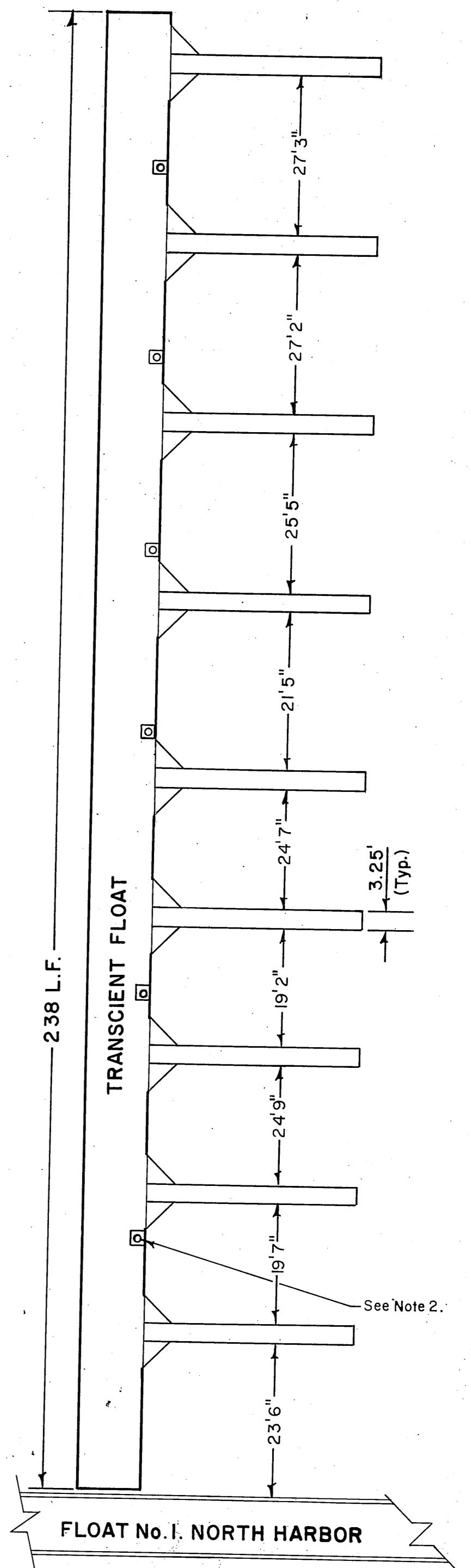
B
Detail-PILE SPLICE
N.T.S.



C
Detail-TRANSCIENT FLOAT ATTACHMENT HINGE
Scale: 1" = 1'0"



D
Detail-PILE ELEVATION
N.T.S.



E
Detail-NEW STALL FLOAT SPACING
N.T.S.

**RECORD
DRAWING**

| | | | | | | | |
|--------------|-------------|---------------------------------|---|-----------------------------|--|---|----------|
| Approved by: | [Signature] | 1. 7/91 K.J.T. | Concrete Stall Floats To Concrete Or Wood Per. Bid Price. | Drawn by: K.J.T. Date: 7/91 | | CITY OF PETERSBURG TRANSCIENT FLOAT UPGRADE PROJECT Contract 91-3 December - 1990. | Sheet 2. |
| | | No. Date By Ckd. Appr. Revision | Checked by: R.R.W. 7/91 | Approved by: R.R.W. 7/91 | | | of 2. |

GRAPHIX INC. 238995