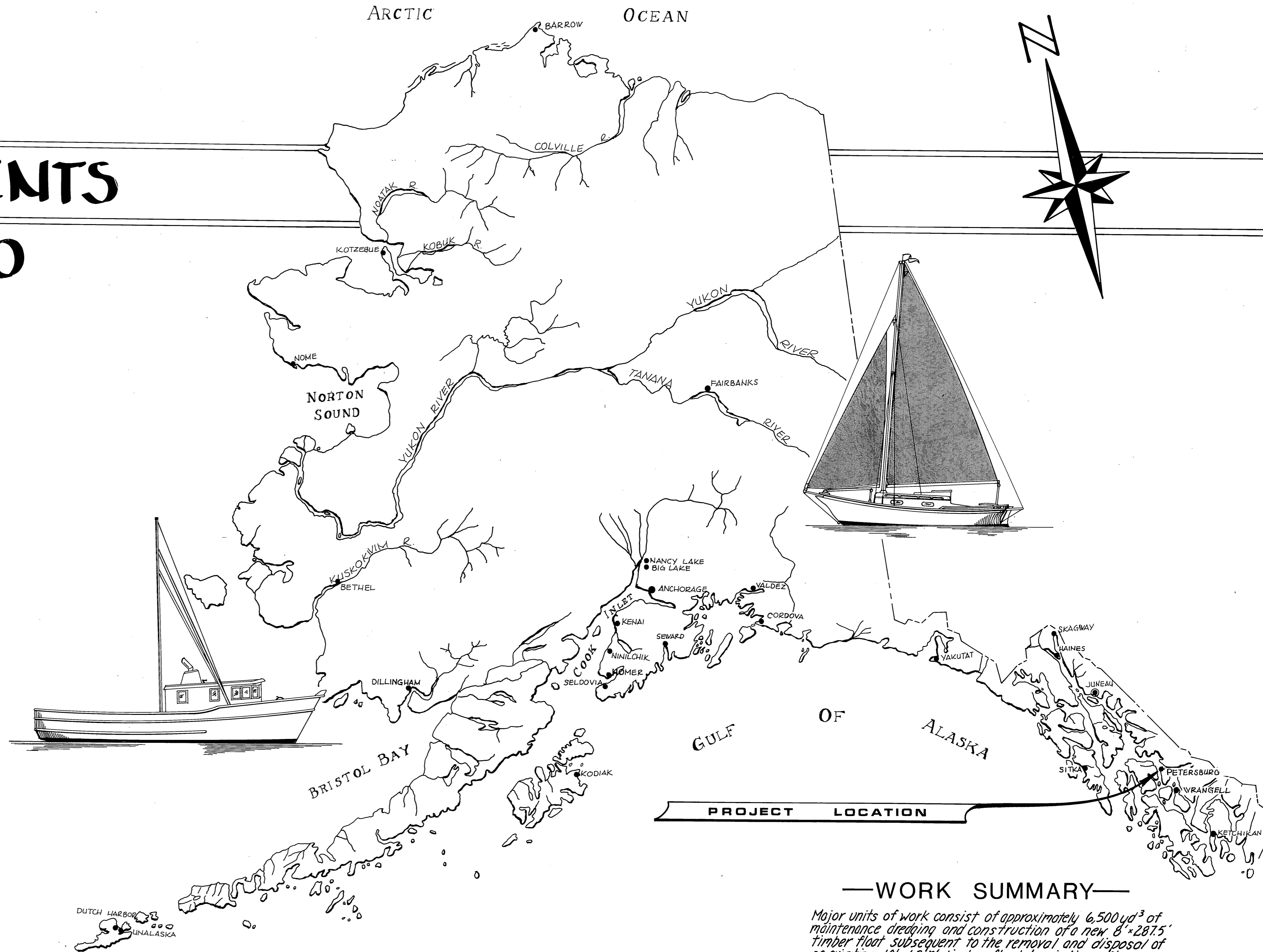


# PETERSBURG HARBOR IMPROVEMENTS PROJECT NO. 3-78190



—WORK SUMMARY—

Major units of work consist of approximately 6,500 yd<sup>3</sup> of maintenance dredging and construction of a new 8' x 287.5' timber float subsequent to the removal and disposal of an existing 10' x 62.5' timber float & existing piles.

AS BUILT

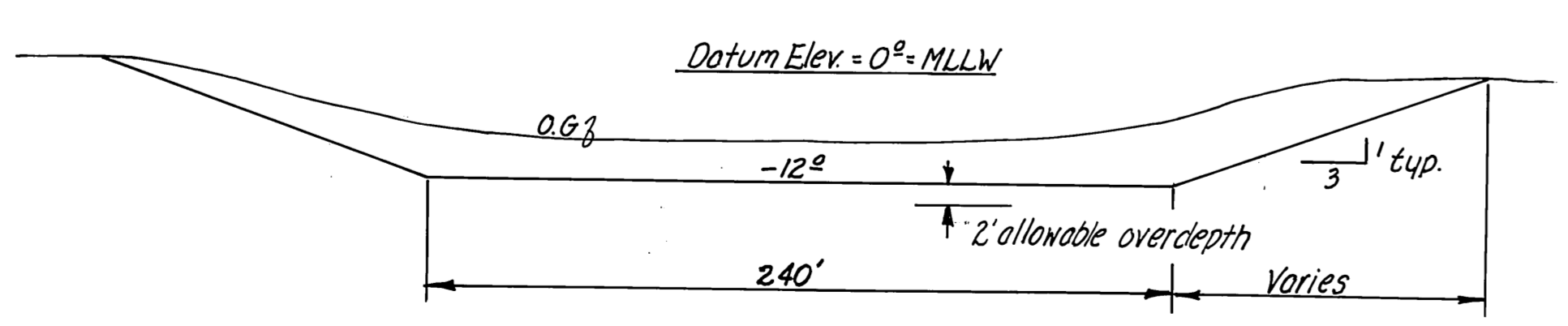
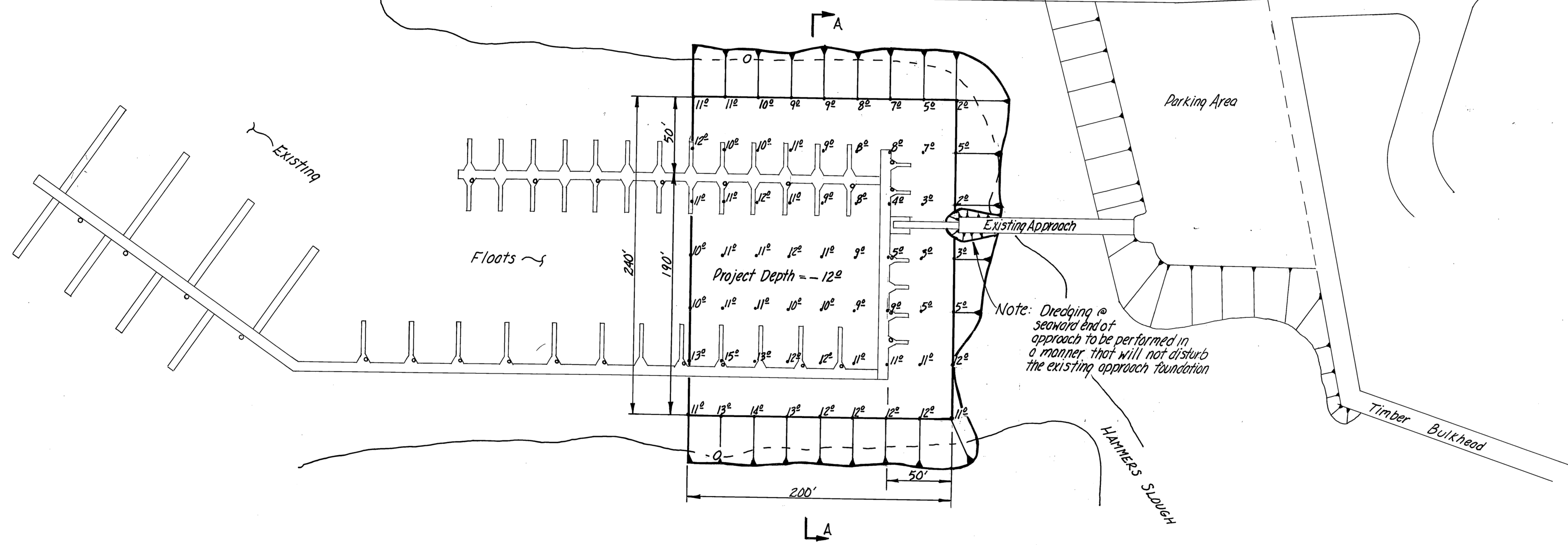
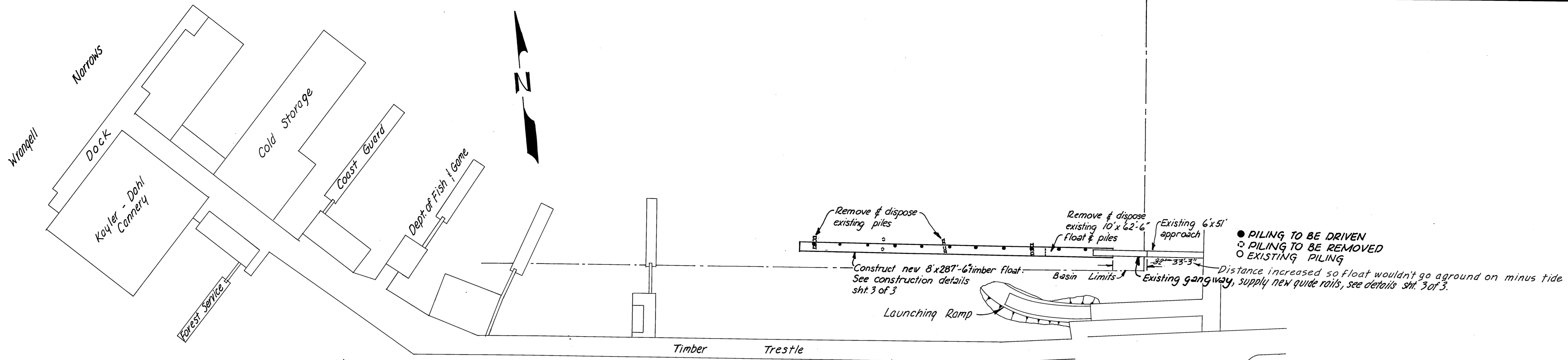
**INDEX TO SHEETS**

1	TITLE & LOCATION	
2	PROJECT LAYOUT	
3	8' x 287.5' TIMBER FLOAT & MISC. DETAILS	

STATE  
OF  
ALASKA

DEPARTMENT OF TRANSPORTATION & PUBLIC FACILITIES  
**DIVISION OF HARBOR  
DESIGN & CONSTRUCTION**

**APPROVED**  
*Kohler L. Soder*  
Don Stoffer, Director  
DATE JUNE 24 1978  
SHEET **1 OF 3**



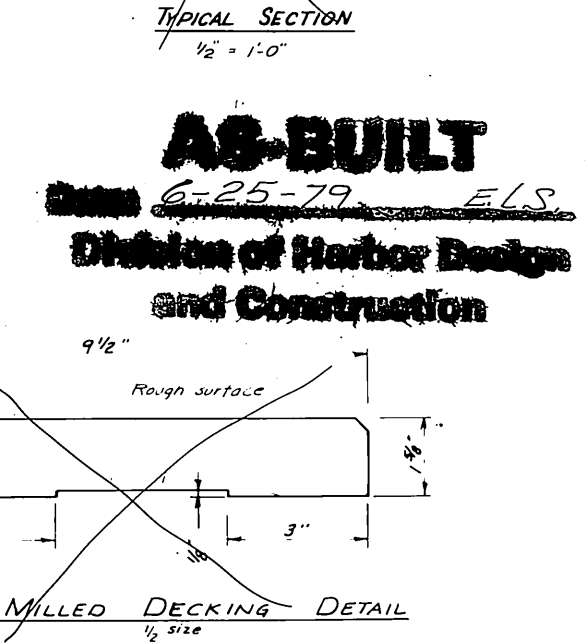
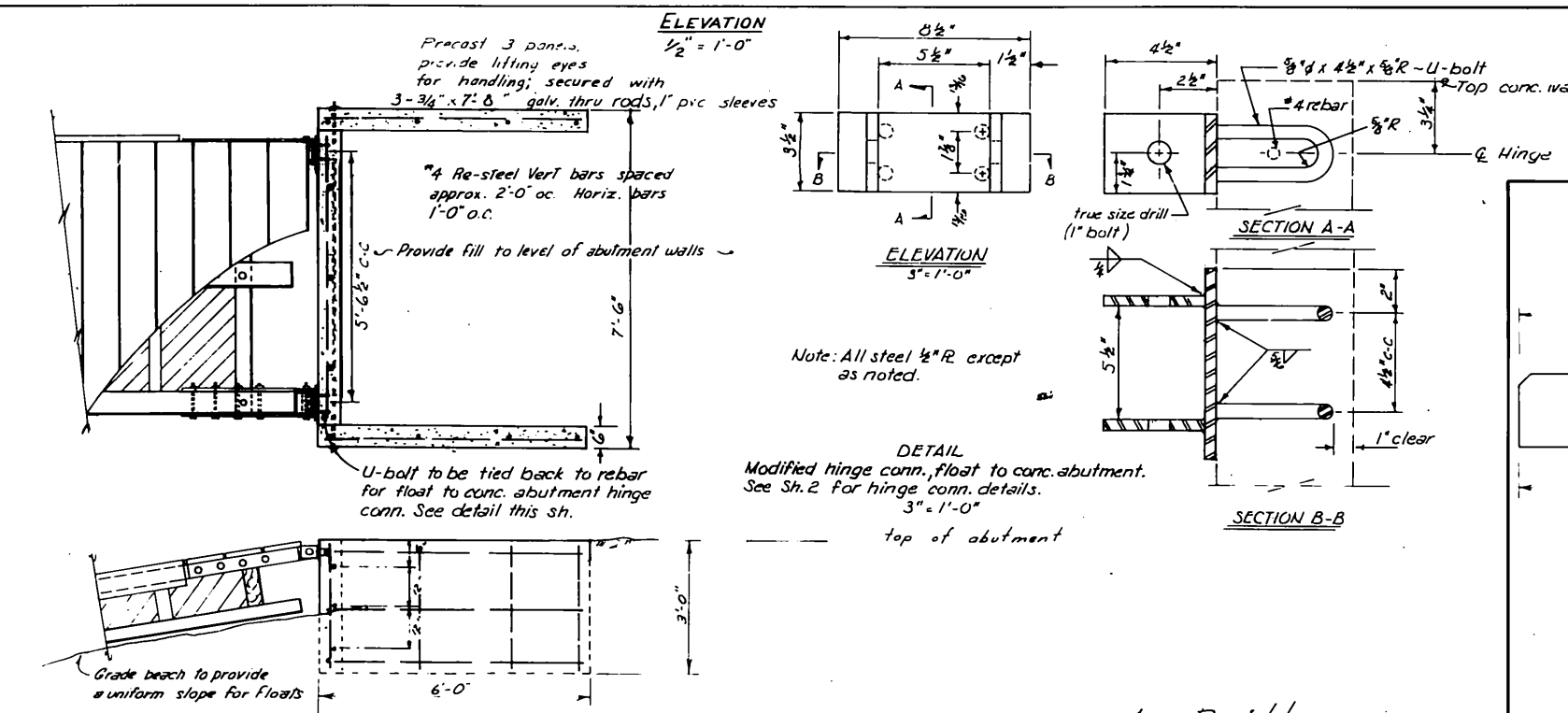
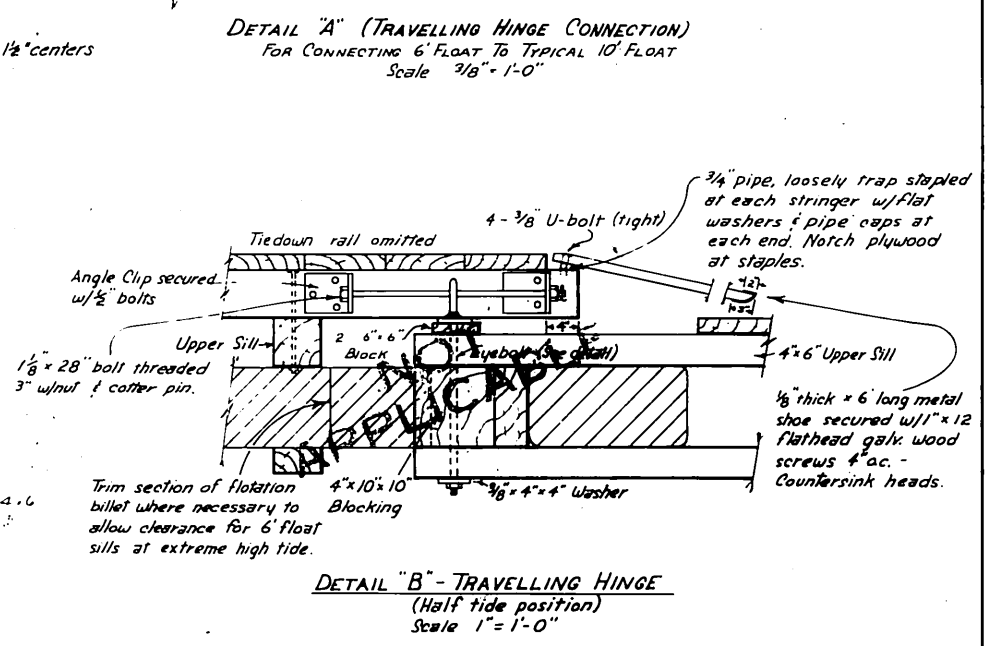
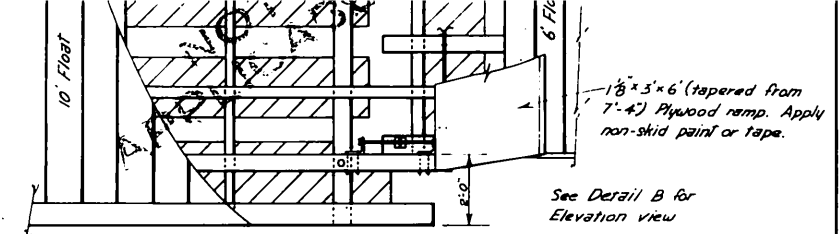
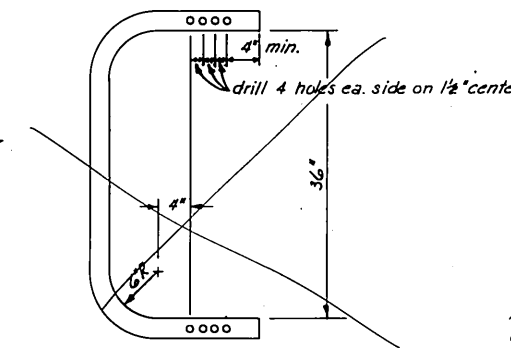
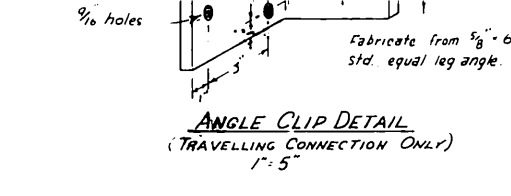
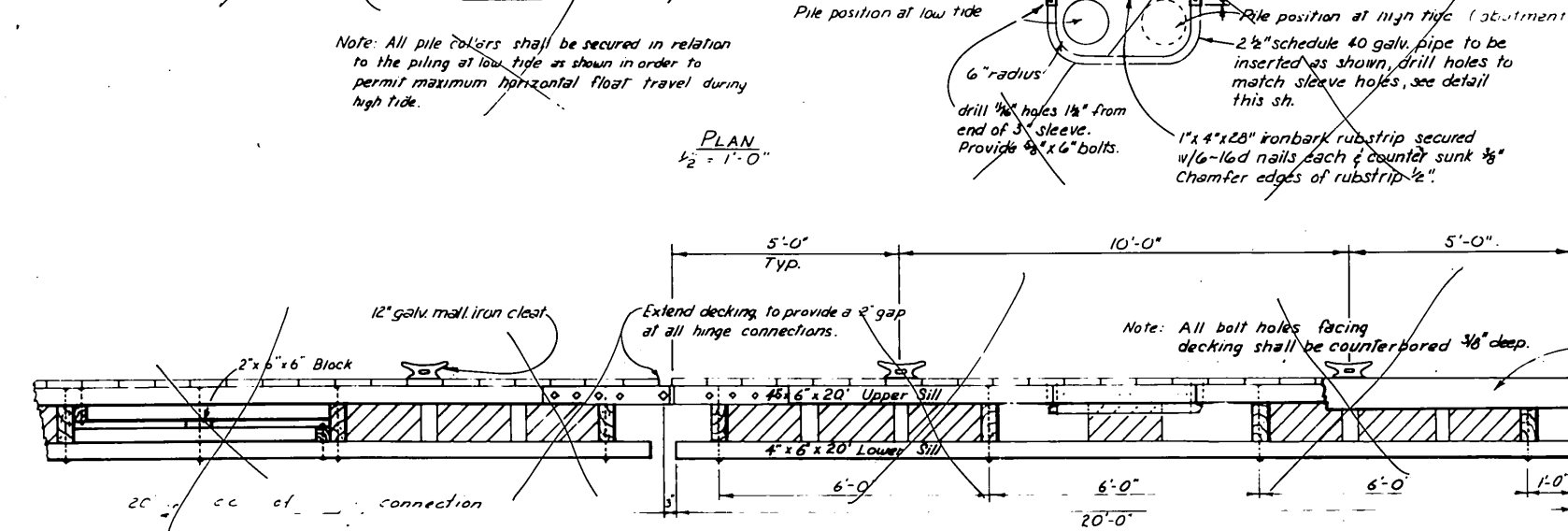
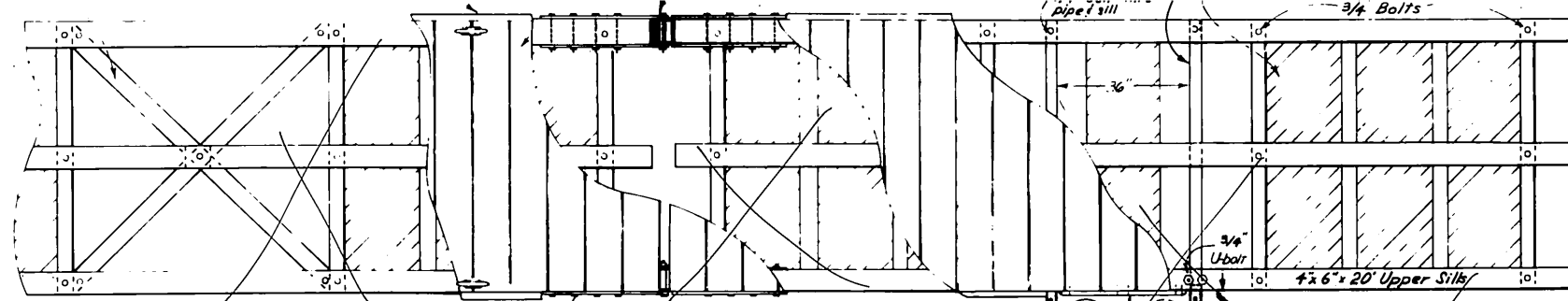
SECTION A-A  
NOT TO SCALE

AS BUILT

Not for soundings - See attached sheet for post-dredged soundings

DO NOT SCALE THIS DRAWING - USE DIMENSIONS		
STATE OF ALASKA DEPARTMENT OF PUBLIC WORKS DIVISION OF WATER AND HARBORS		
Peterburg <u>PROJECT LAYOUT</u>		
SCALE 1" = 50'	SURVEYED JAL/JB	APPROVED
DESIGNED JAL	DRAWN JAL/JTM	Don Statter
CHECKED RB	DATE 4/11/78	DIRECTOR
PROJECT NUMBER 3-78190	SHEET 2 OF 3	





**AS-BUILT**  
6-25-79 ELS  
Division of Harbor Design and Construction

Field drill bolt holes -  
Sills-upper and lower  
Cross members

Field drill bolt holes -  
Diagonal bracing

All hardware to be hot dipped galvanized. A malleable iron washer shall be placed between all nut and wood surfaces. Bolt drill holes are to be 1/16" oversize. Layer of 6 mill black polyethylene foil be placed between surfaces of foam and crosshatch treatment.

**MATERIALS**

ITEM	DRESSING	TREATMENT
4x6 Sills	Rough	12" Creo.
4x10 Cross Members	Rough	" "
4x6 Diagonal Brace	Rough	" "
2x10 Decking	Milled	0.4 Penta
2x8 Bumpers	S-I-S-2-E	0.4 Penta

All lumber to be Dense No. 1 grade Douglas Fir.  
All bolts to be 3/4" unless otherwise noted.



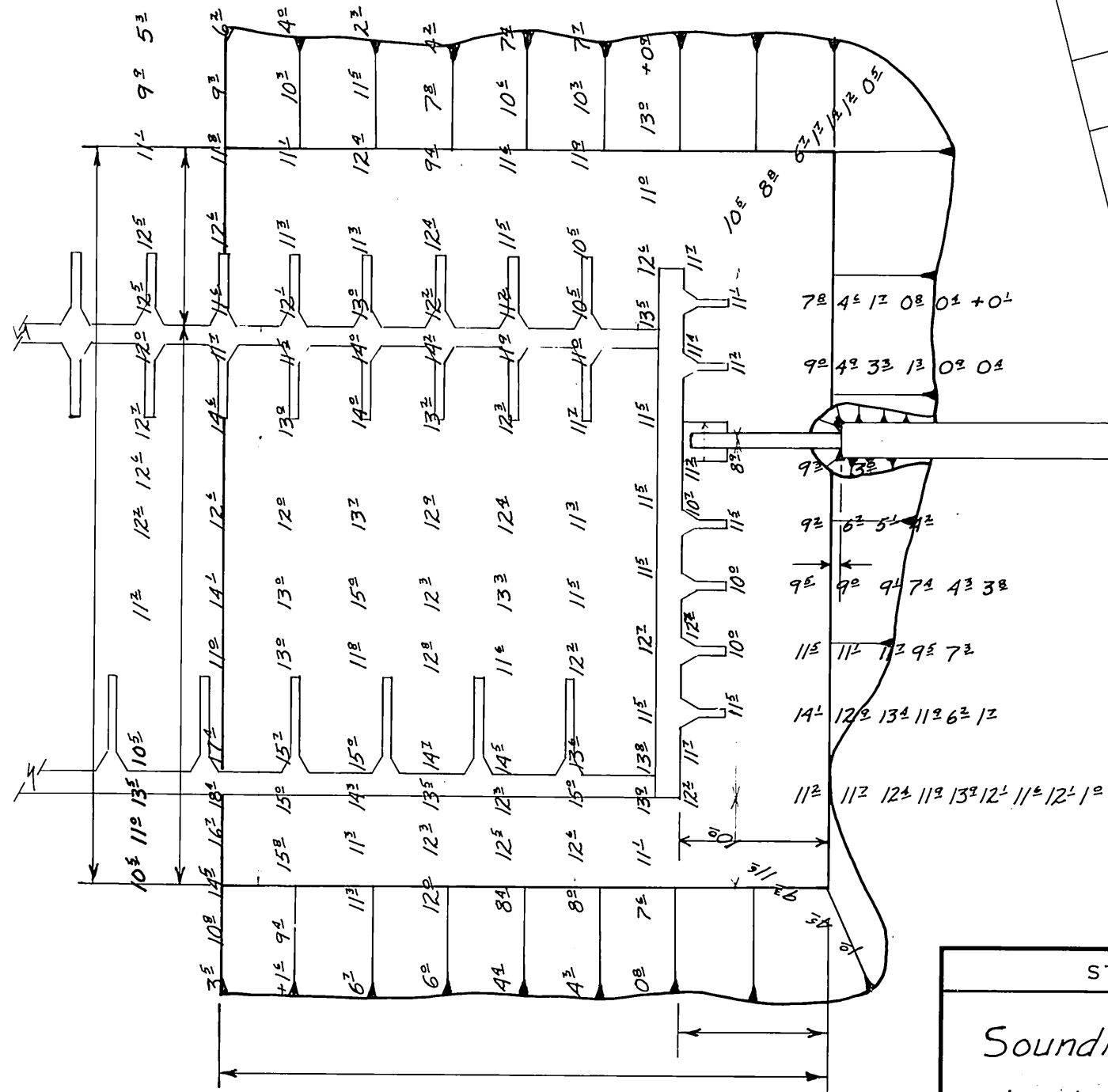
DO NOT SCALE THIS DRAWING - USE DIMENSIONS

STATE OF ALASKA  
DEPARTMENT OF PUBLIC WORKS  
DIVISION OF WATER AND HARBORS

**6' SECTIONAL FLOAT**

SCALE As Shown	SURVEYED	APPROVED
DESIGNED RPB	DRAWN C.E.D.	Don Statter
CHECKED RPB	DATE Sept. 1978	DIRECTOR
PROJECT NUMBER K 38151	SHEET 3 OF 3	

As Built  
abutment only



STAMP  <i>Soundings after dredging</i>  <i>AS-BUILT</i>	DO NOT SCALE THIS DRAWING - USE DIMENSIONS	
	STATE OF ALASKA DEPARTMENT OF TRANSPORTATION AND PUBLIC FACILITIES DIVISION OF HARBOR DESIGN AND CONSTRUCTION	
<i>PETERSBURG HARBOR IMPROVEMENTS</i>		
SCALE _____ DESIGNED _____ CHECKED _____	SURVEYED _____ DRAWN <i>MH</i> DATE <i>APR. 1979</i>	APPROVED _____ DIRECTOR
PROJECT NUMBER <i>3-78190</i>	SHEET _____ OF _____	