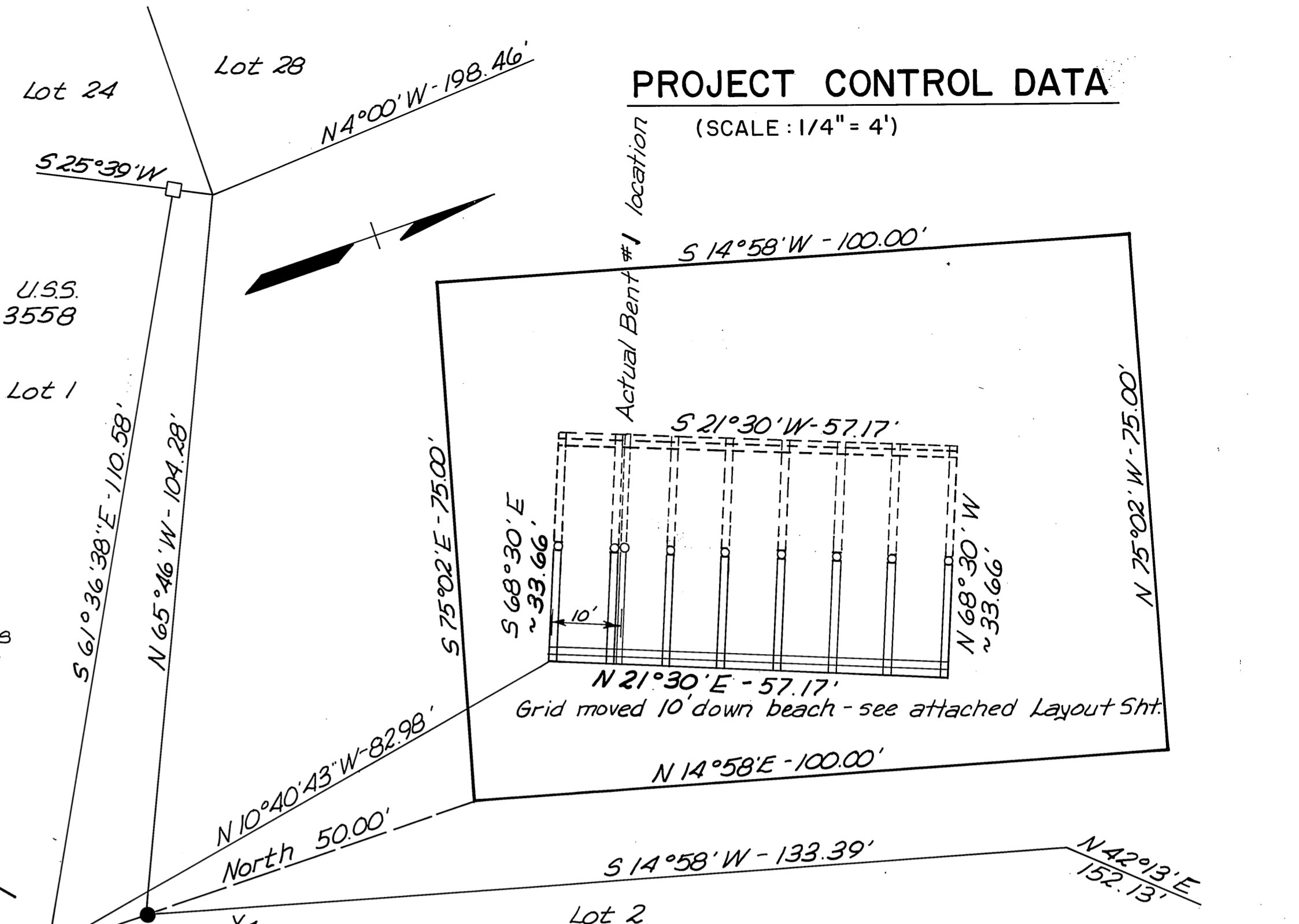
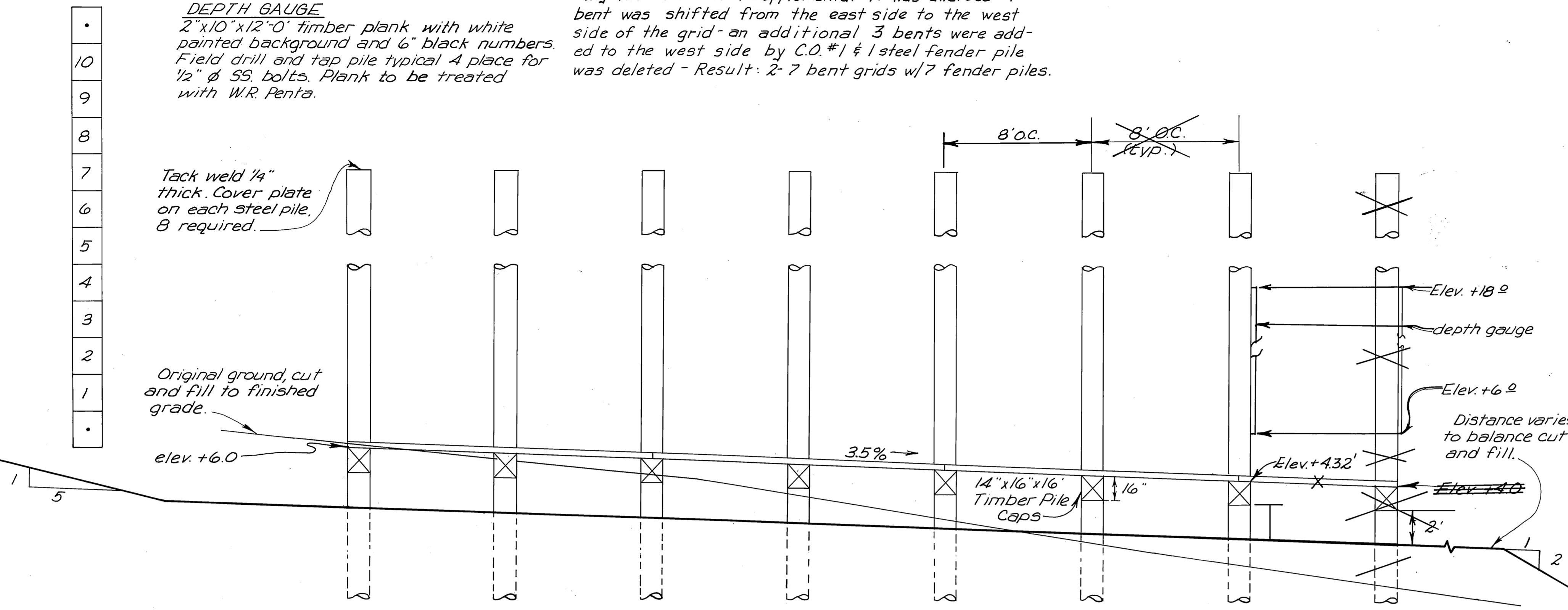


DEPTH GAUGE
 2"x10"x12'-0" timber plank with white painted background and 6" black numbers. Field drill and tap pile typical 4 place for 1/2" ϕ SS bolts. Plank to be treated with W.R. Penta.

Only the Basic Bid & Supplemental "A" was awarded - 1 bent was shifted from the east side to the west side of the grid - an additional 3 bents were added to the west side by C.O.#1 & 1 steel fender pile was deleted - Result: 2-7 bent grids w/7 fender piles.

PROJECT CONTROL DATA
 (SCALE: 1/4" = 4')

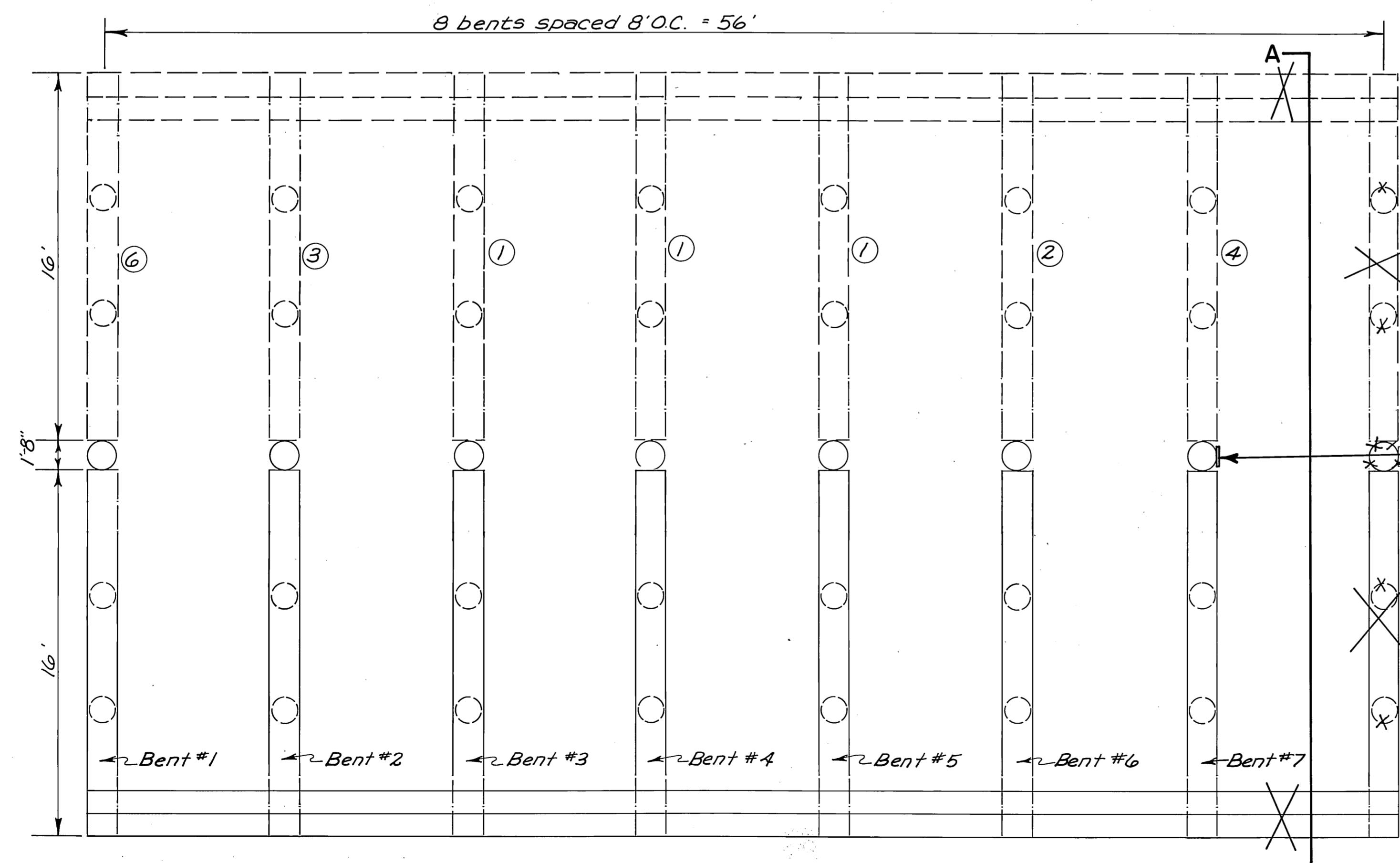


GRID PROFILE (SCALE: 1/4" = 1')

NOTE:
 Grade original ground to match slope of grid. Approximately 125 C.Y. of material to be graded.

● BLM Brass Monument
 □ 4" x 4" Post

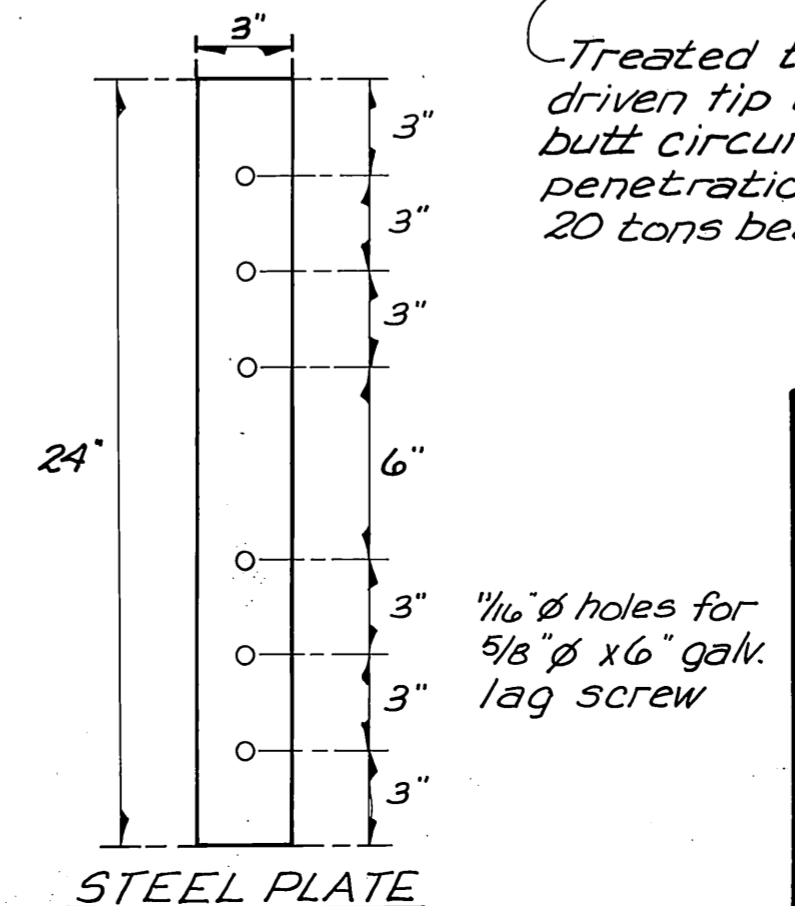
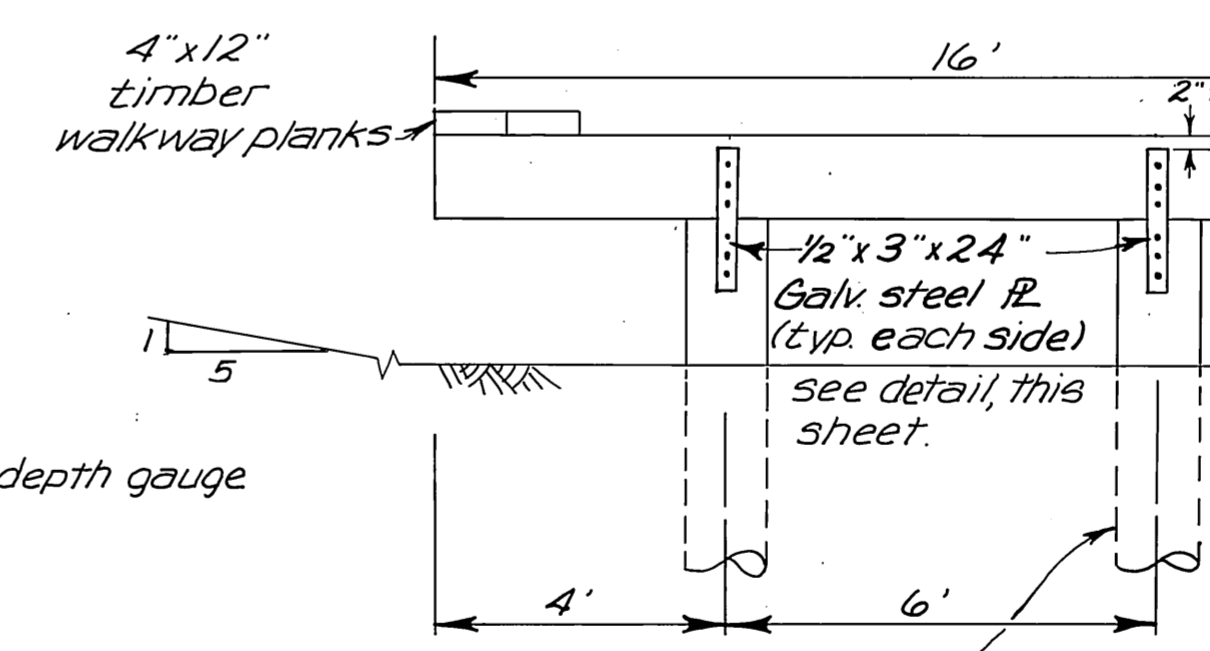
Approx. location of a large dia butt spruce tree - drove a 3/8" dia galvanized spike in the west side of it up approx. 1.7' from the bottom - nailed a wood stake to the tree above it - B.M. elev. +17.0' estab. from tide. Cutoff Elev. board readings over a period of time. +22.0'



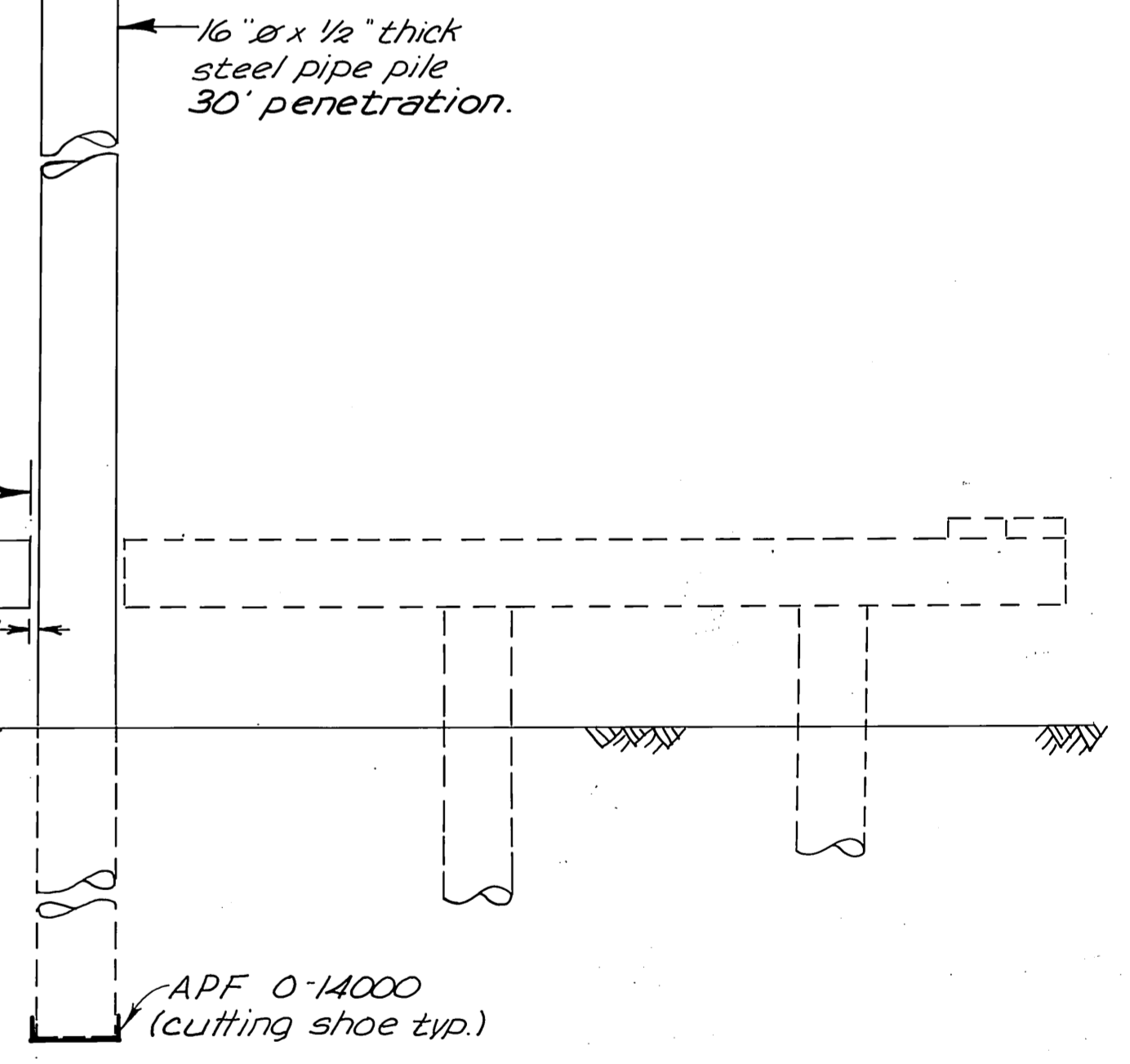
GRID LAYOUT (SCALE: 1/4" = 1')

— Main Contract Bid Item
 - - - Supplemental Bid Item (To be bid per bent)

① Indicates priority in which the supplemental bid item should be built.



STEEL PLATE



SECTION A (SCALE: 3/8" = 1')

STAMP		DO NOT SCALE THIS DRAWING - USE DIMENSIONS	
STATE OF ALASKA			
DEPARTMENT OF TRANSPORTATION AND PUBLIC FACILITIES			
Port Protection		Alaska	
GRID LAYOUT AND DETAILS			
DESIGNED <u>RAM</u>	CHECKED _____	DRAWN <u>BEG</u>	DATE <u>7/84</u>
PROJECT NUMBER <u>K31221</u>	SHEET <u>2</u>		OF <u>2</u>