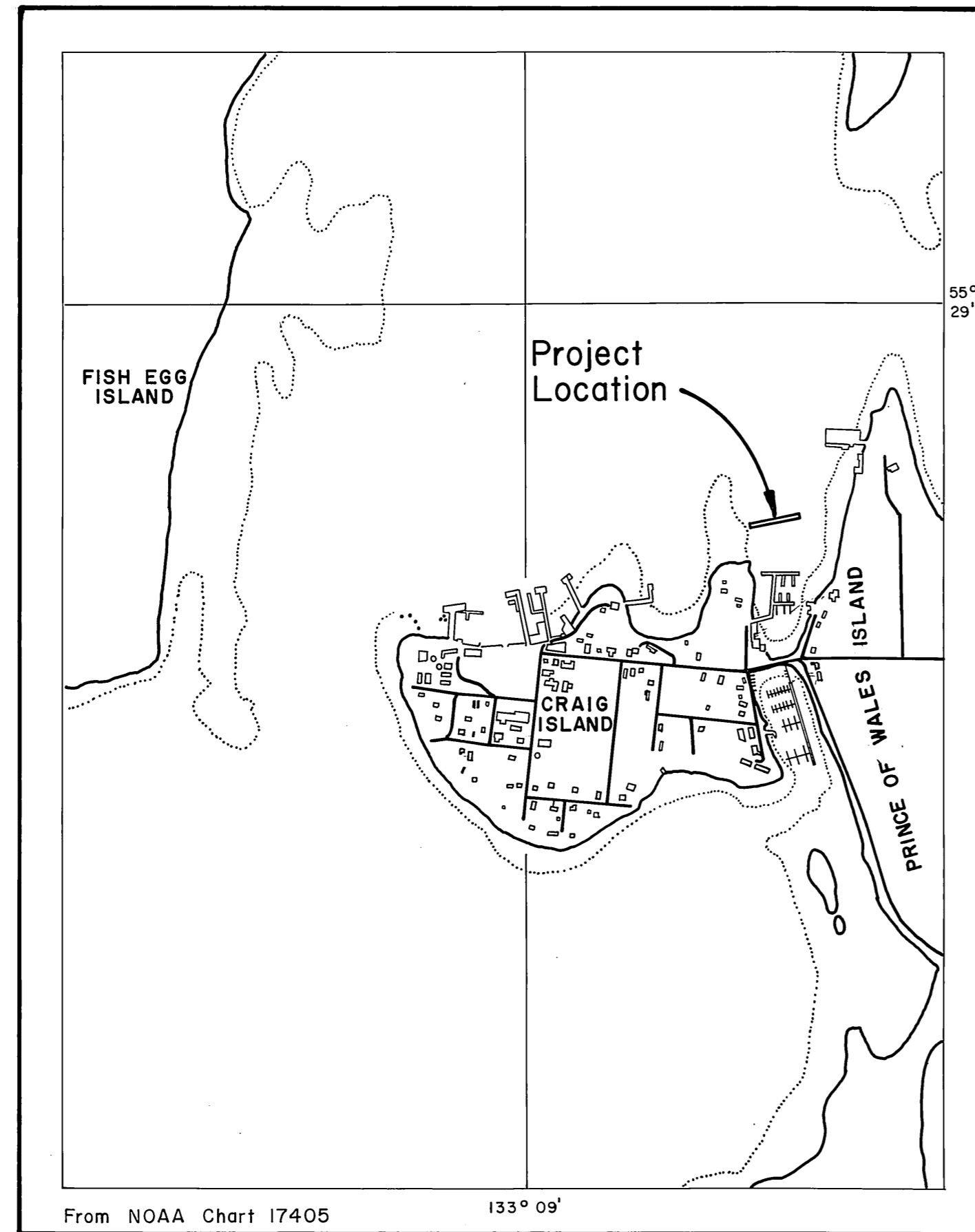
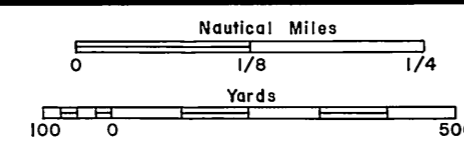


**CRAIG
NORTH COVE HARBOR BREAKWATER**

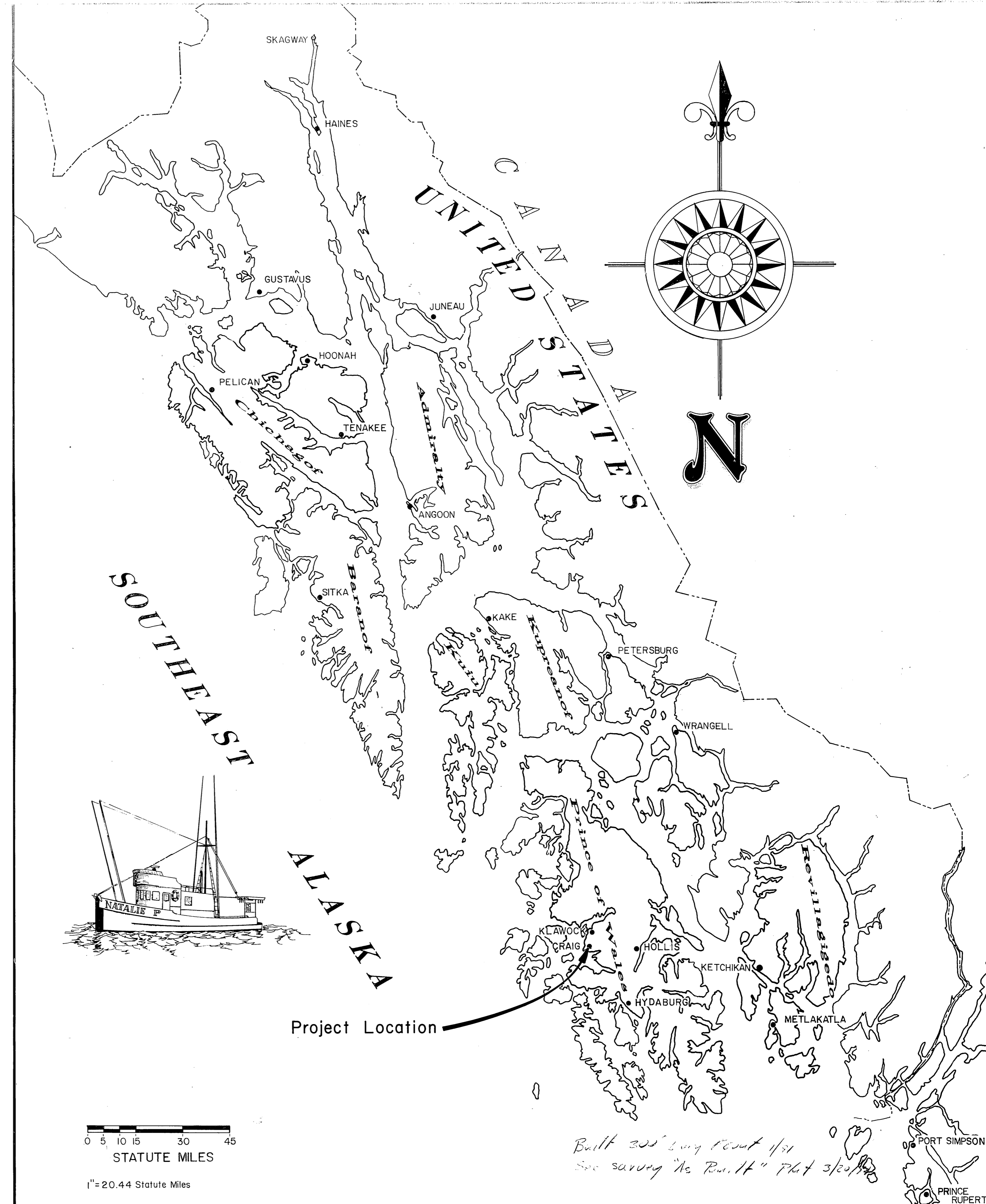
PROJECT NO. 70336



VICINITY MAP



DESIGNED FOR THE
CITY OF CRAIG
BY



**STATE
OF
ALASKA**

**DEPARTMENT OF TRANSPORTATION
& PUBLIC FACILITIES
S.E. REGION DESIGN & CONSTRUCTION**

APPROVED

E.W. Barnell 8-8-90
Director S.E. D&C. Date

Recommend
for Approval

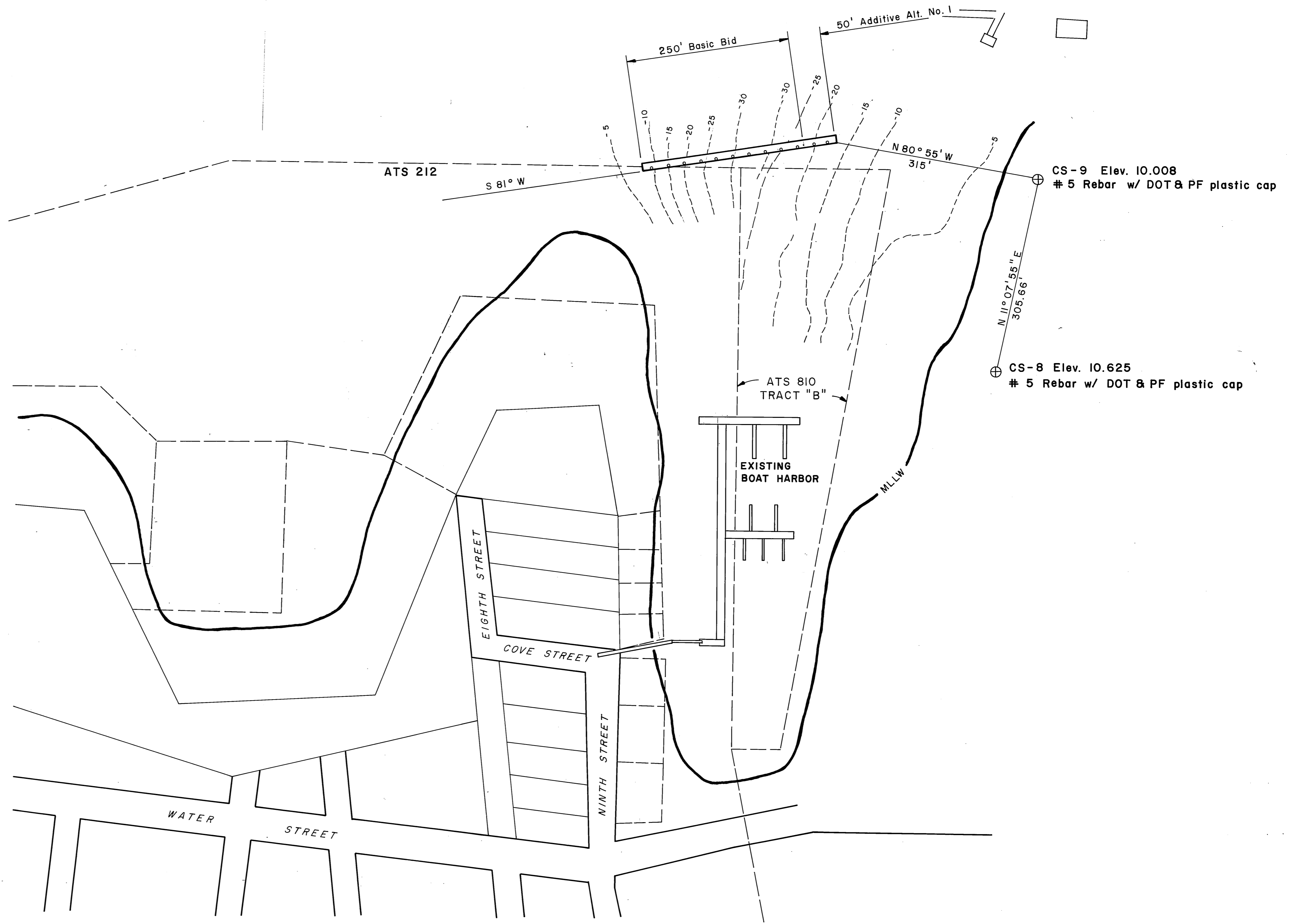
Merriell 8/8/90
Design Chief Date

SHEET 1 of 4

INDEX TO SHEETS

1. TITLE SHEET			
2. PROJECT LAYOUT			
3. FLOAT LOG & STRINGER LAYOUTS			
4. 12' LOG REINFORCED FLOAT			

**PROJECT &
FILE NO.**



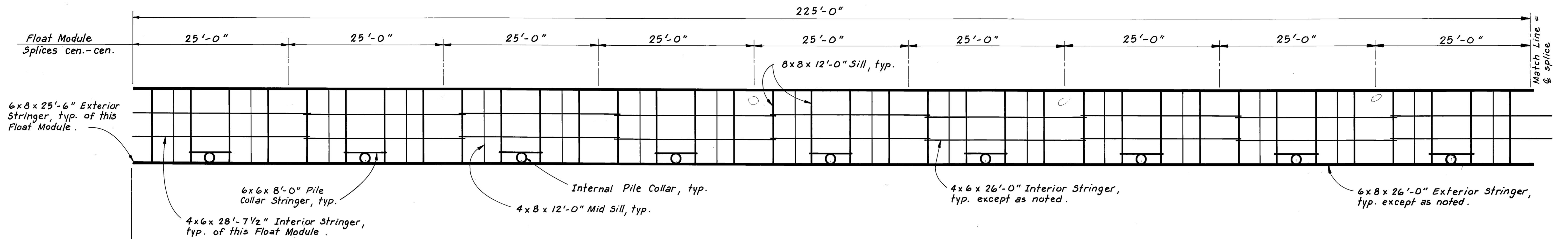
TIDE DATA

Extreme Highest	13.0
MHHW	10.0
MHW	9.2
MTL	5.3
MLLW	0.0
ELW	-4.0

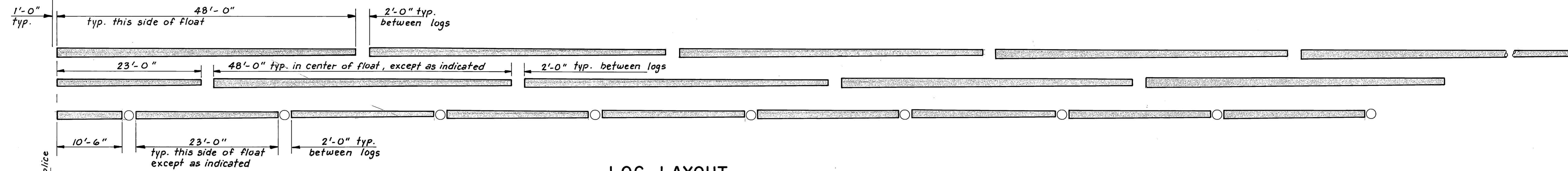
BREAKWATER FLOAT PILES

- A. Cut off elevation = + 20.0 feet
- B. Design Penetration = 20 feet
- C. Pile Size = 12 3/4" ø x 3/8" wall
- D. End treatment = All piles to have open end cutting shoes welded to bottom.

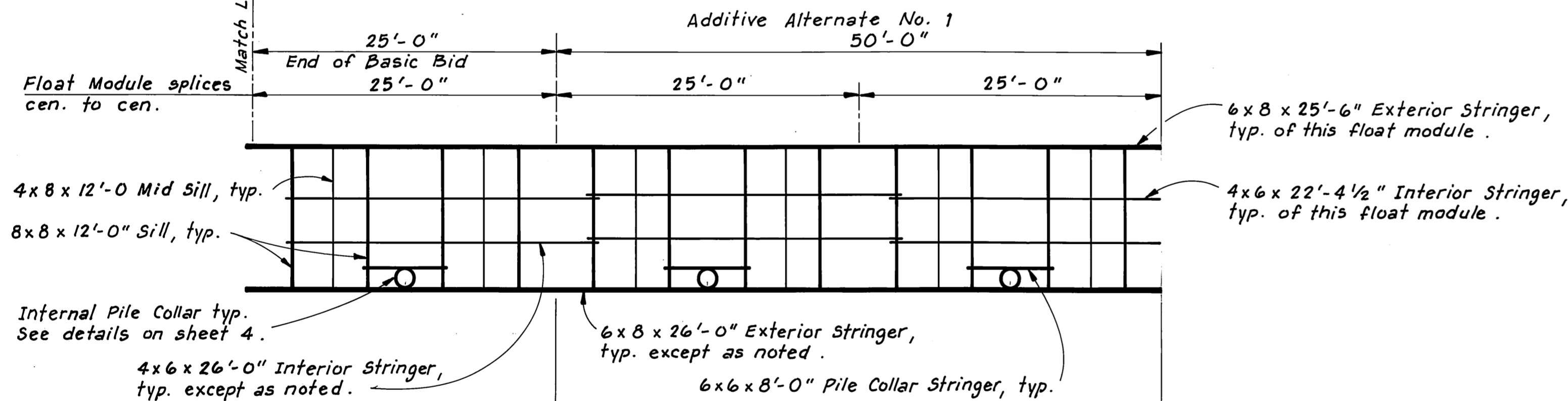
	DO NOT SCALE THIS DRAWING - USE DIMENSIONS			
	STATE OF ALASKA			
	DEPARTMENT OF TRANSPORTATION AND PUBLIC FACILITIES			
	Craig		Alaska	
PROJECT LAYOUT				
DESIGNED <u>JDB</u>	CHECKED _____	DRAWN <u>TS</u>	DATE _____	
PROJECT NUMBER <u>70336</u>	SHEET <u>2</u> OF <u>4</u>			



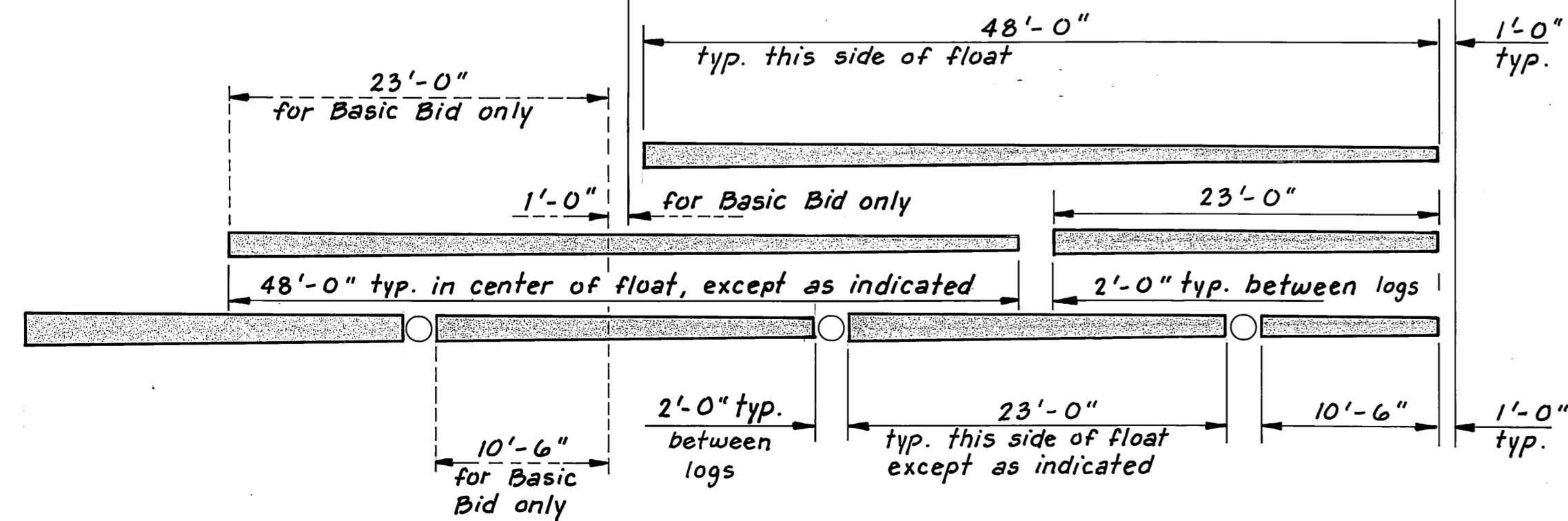
STRINGER LAYOUT



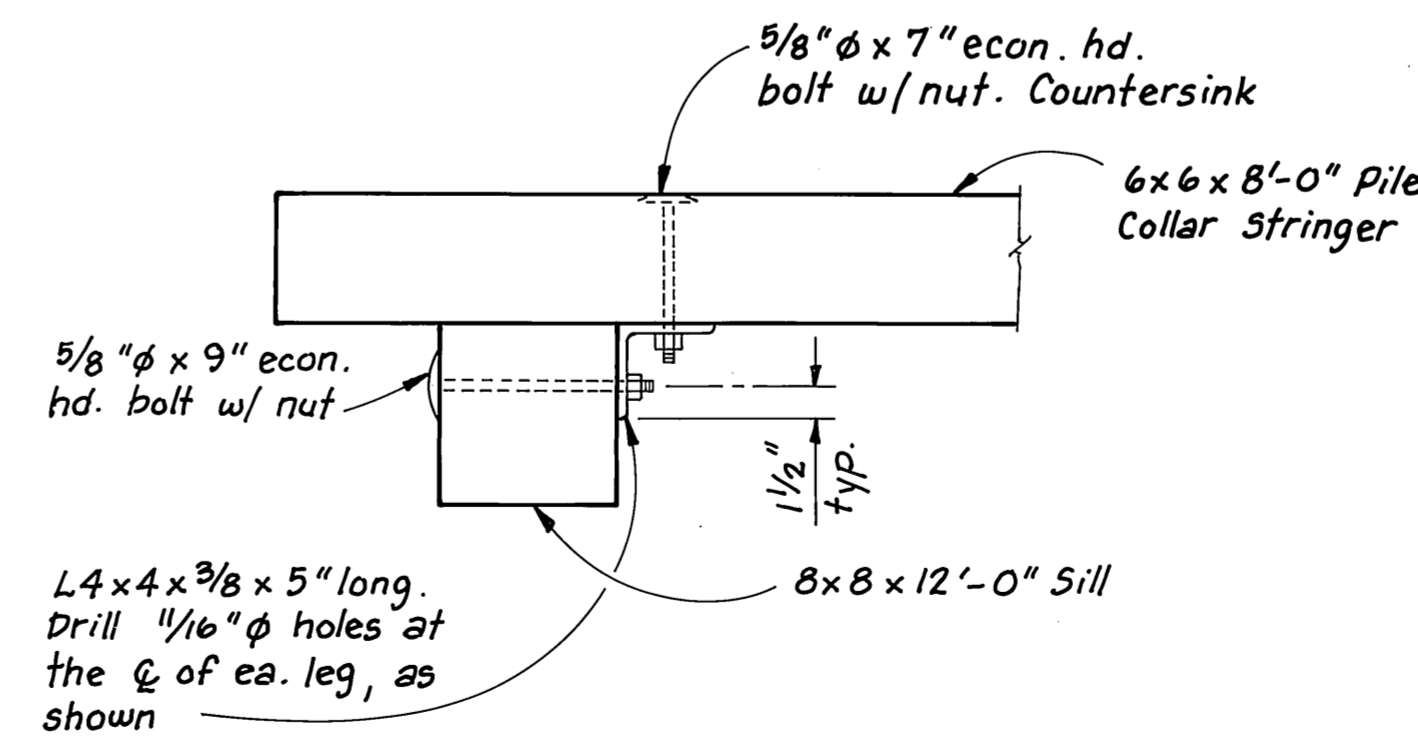
LOG LAYOUT



STRINGER LAYOUT



LOG LAYOUT



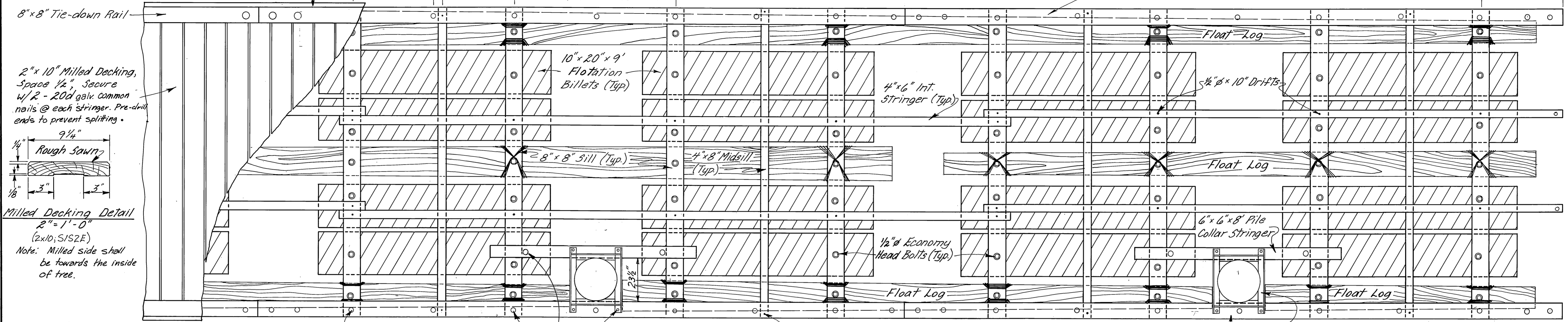
ELEVATION

PILE COLLAR STRINGER CONNECTION DETAIL

STAMP		DO NOT SCALE THIS DRAWING - USE DIMENSIONS	
		STATE OF ALASKA	
		DEPARTMENT OF TRANSPORTATION AND PUBLIC FACILITIES	
Craig		Alaska	
FLOAT LOG & STRINGER LAYOUTS			
DESIGNED _____	CHECKED _____	DRAWN TS _____	DATE _____
PROJECT NUMBER 70336		SHEET 3 OF 4	

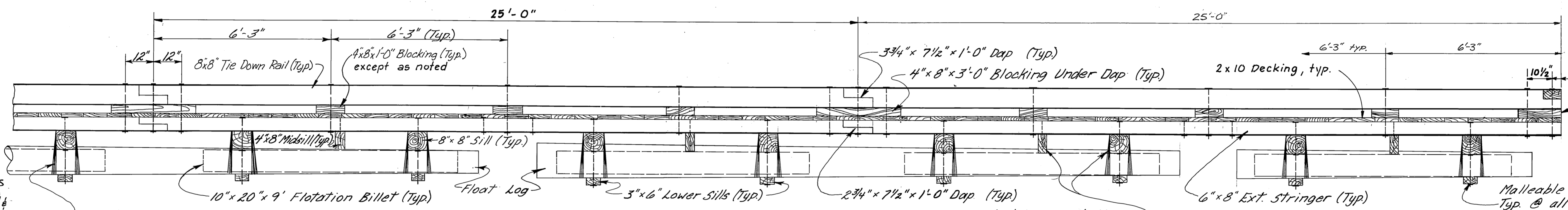
Continuous 2x8 Bumper Board. Secure to Exterior Stringers w/ 20d galv. common nails. Stagger nails 1'-0" o.c. and 2 nails at ends. Butt splice Bumper Board at Q of exterior stringer dap joints.

NOTE: Decking & Tie-down Rail Not Shown

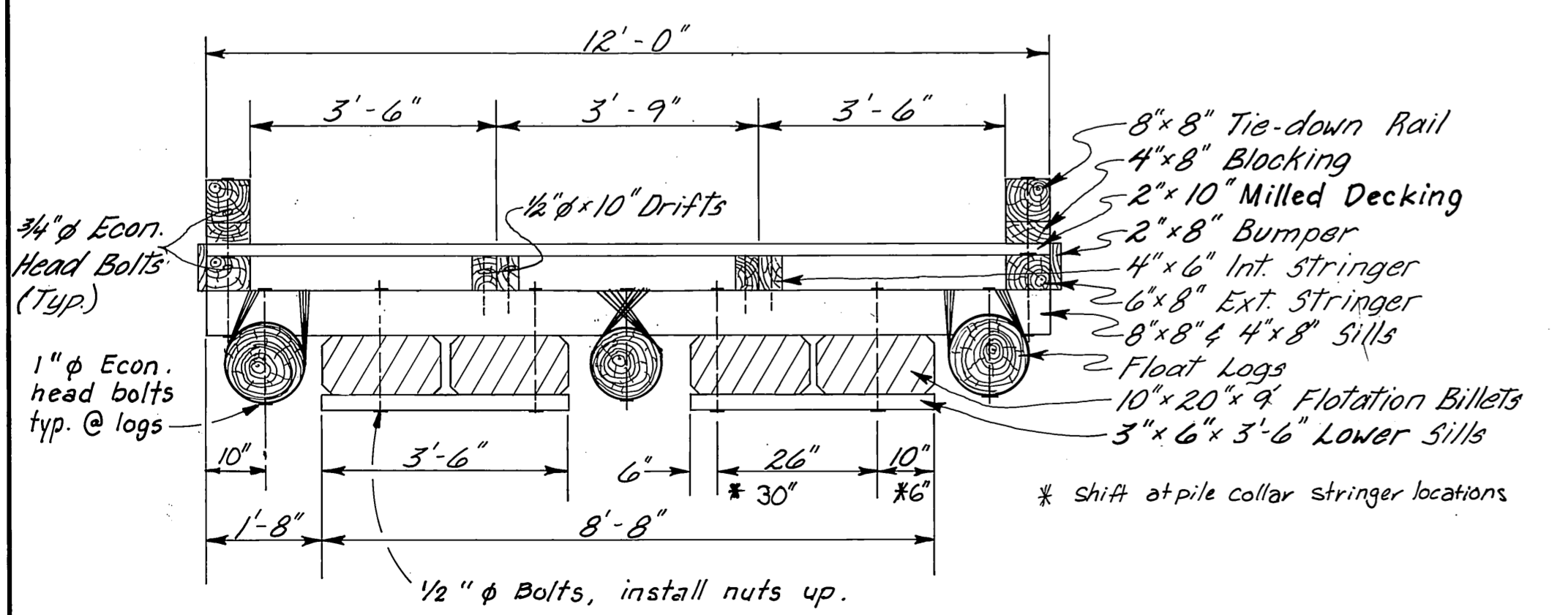


PLAN

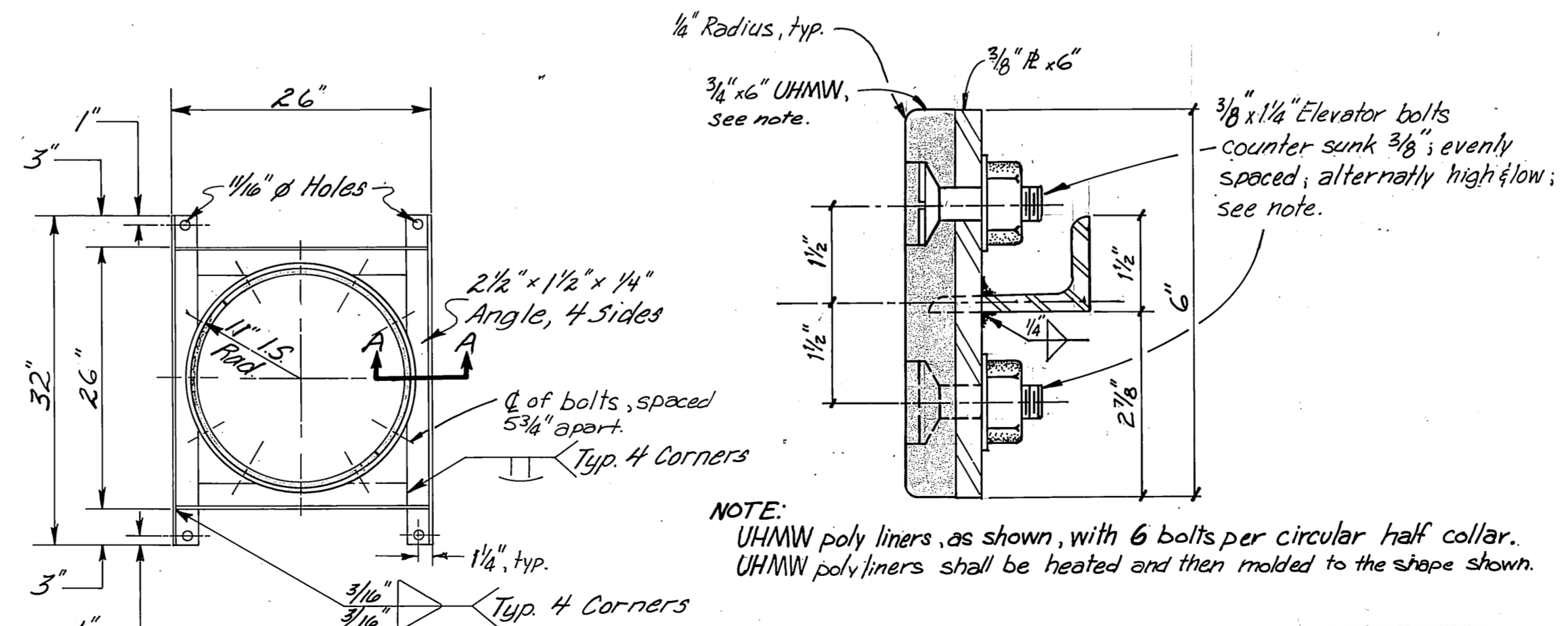
Install 8"x8" Tie-down Rail Across Ends of Float, Secure to Int. & Ext. Stringers.



ELEVATION



TYPICAL SECTION



PLAN

SECTION A-A

INTERNAL PILE COLLAR DETAIL

MATERIALS			
ITEM	DRESSING	TREATMENT	DRILLING SCHEDULE
8"x8" Tie-down Rails	S45	See Specs	Shop drill all holes
4"x8" Blocking	S45	" " "	" " "
2"x10" Decking	Milled SIS2E	" " "	Field Drill ends as reqd.
2"x8" Bumpers	S45	" " "	" " "
6"x8" Exterior Stringers	S45	" " "	Field Drill all holes. *
4"x6" Interior Stringers	S45	" " "	Shop Drill all holes
6"x6" Collar Stringers	S45	" " "	Field Drill for 3/8" φ bolts
8"x8" & 4"x8" Sills	S45	" " "	Shop Drill all holes **
3"x6" Lower Sills	S45	" " "	Shop " " "
Float Logs	A.S.T.M. D25	" " "	Field drill all holes

* Except @ pile collars ** Except @ pile collars & int. stringers

NOTE: Float logs shall have a min. tip circumference of 31 1/2" (10" dia.) and a max. butt circumference of 50" (16" dia.)

STAMP

DO NOT SCALE THIS DRAWING - USE DIMENSIONS

STATE OF ALASKA
DEPARTMENT OF TRANSPORTATION AND PUBLIC FACILITIES

Craig Alaska

12' LOG REINFORCED FLOAT

DESIGNED J.D.B. CHECKED _____ DRAWN DJM DATE 8/90

PROJECT NUMBER 70336 SHEET 4 OF 4

8-8-90