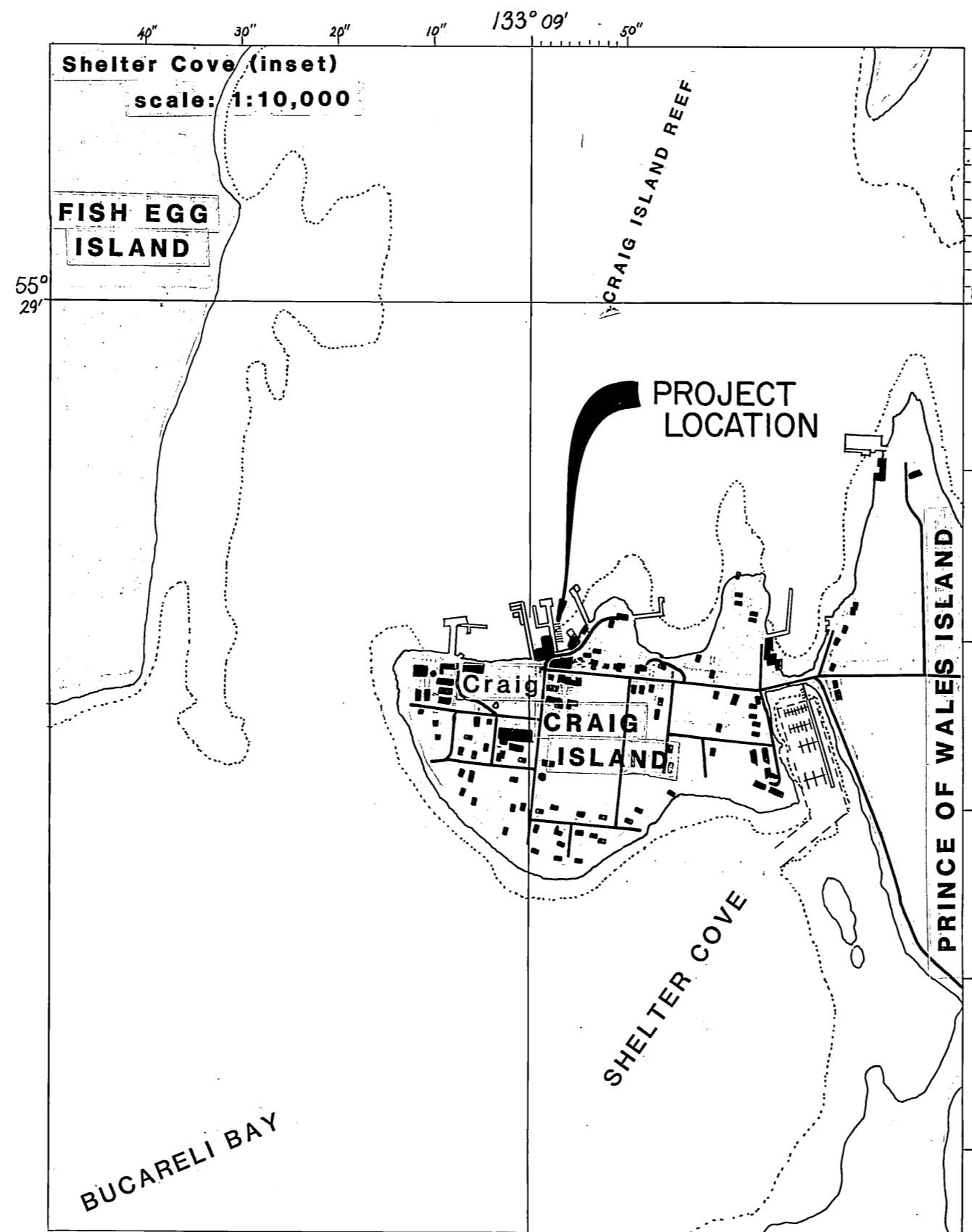
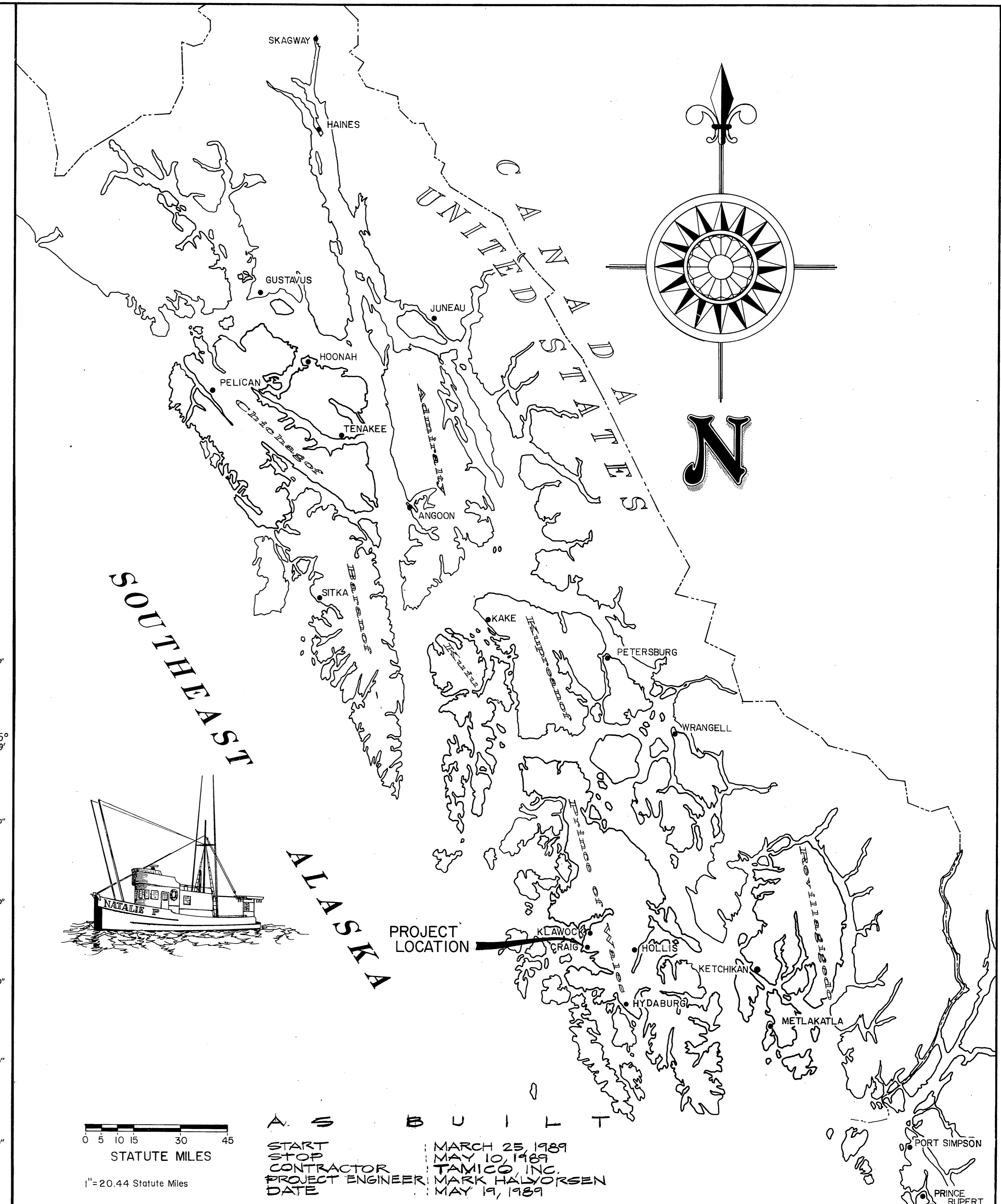


CRAIG GRID

PROJECT NO. 69725



From: NOAA Chart 17405 (Ulloa Channel to San Christoval Channel)



STATE
OF
ALASKA

DEPARTMENT OF TRANSPORTATION
& PUBLIC FACILITIES
S.E. REGION DESIGN & CONSTRUCTION

APPROVED
R. Beckmeyer 7-6-88
Director S.E. D.&C. Date

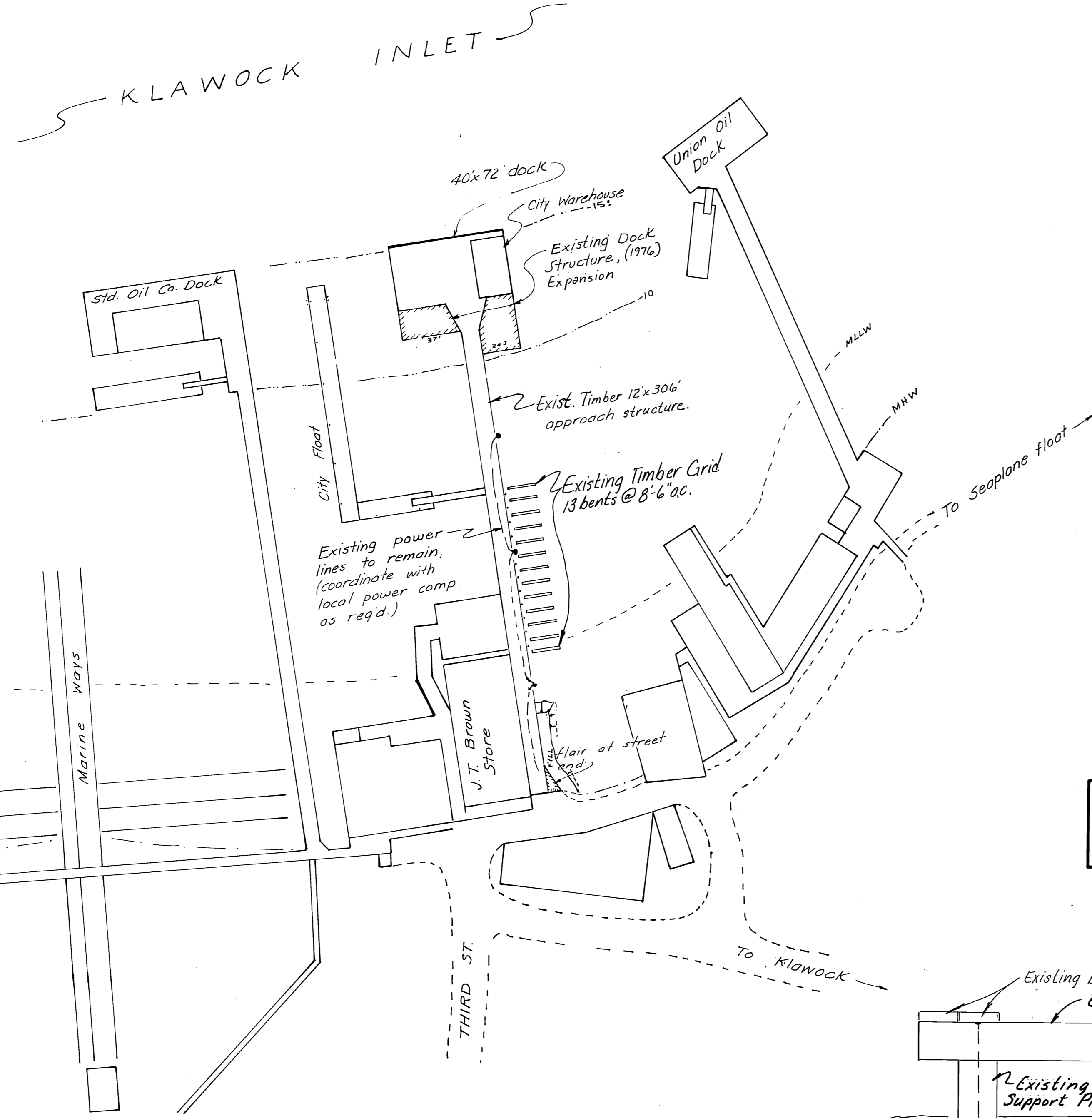
Recommend
for Approval
O. Merrill 7-6-88
Design Chief Date

SHEET 1 of 4

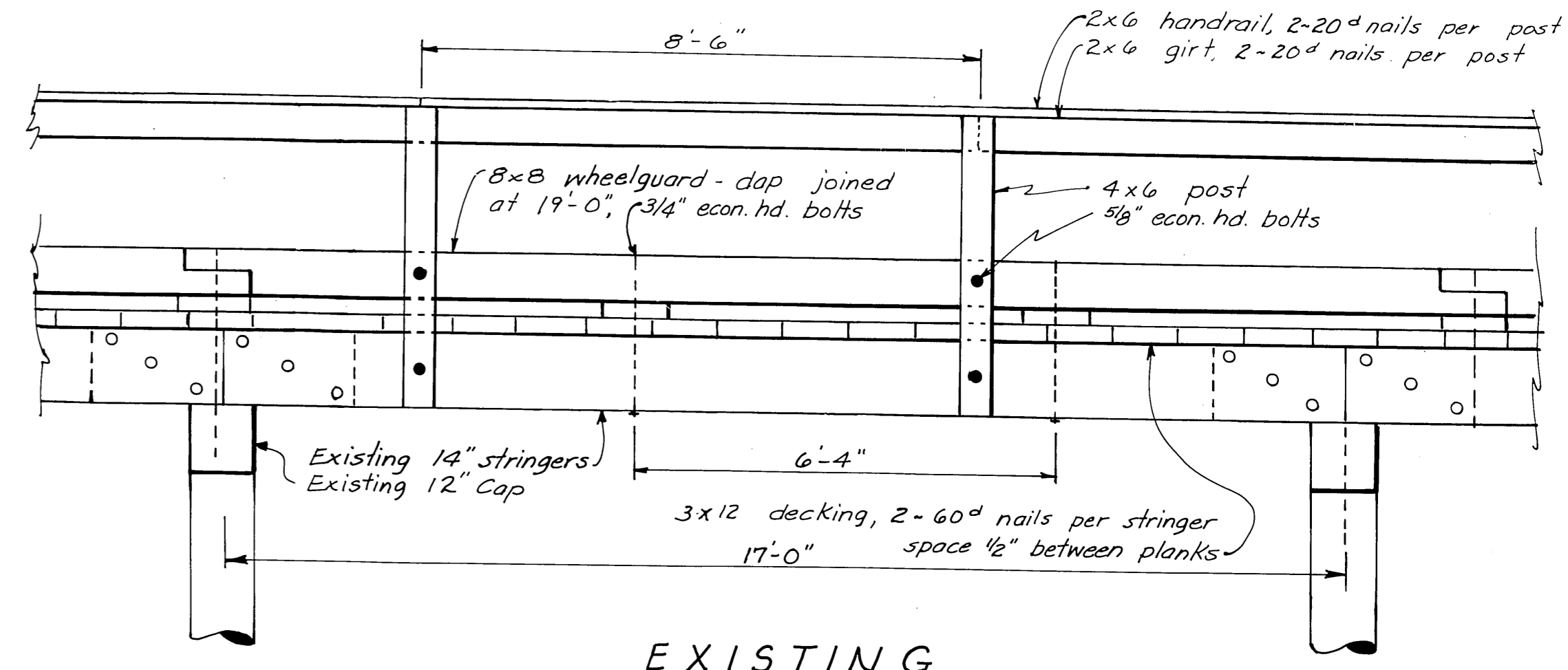
INDEX TO SHEETS

NO.	TITLE
1	TITLE
2	AS-BUILT GRID & APPROACH
3	GRID DETAILS
4	MISC. DETAILS

PROJECT &
FILE NO.
69725
CRAIG GRID

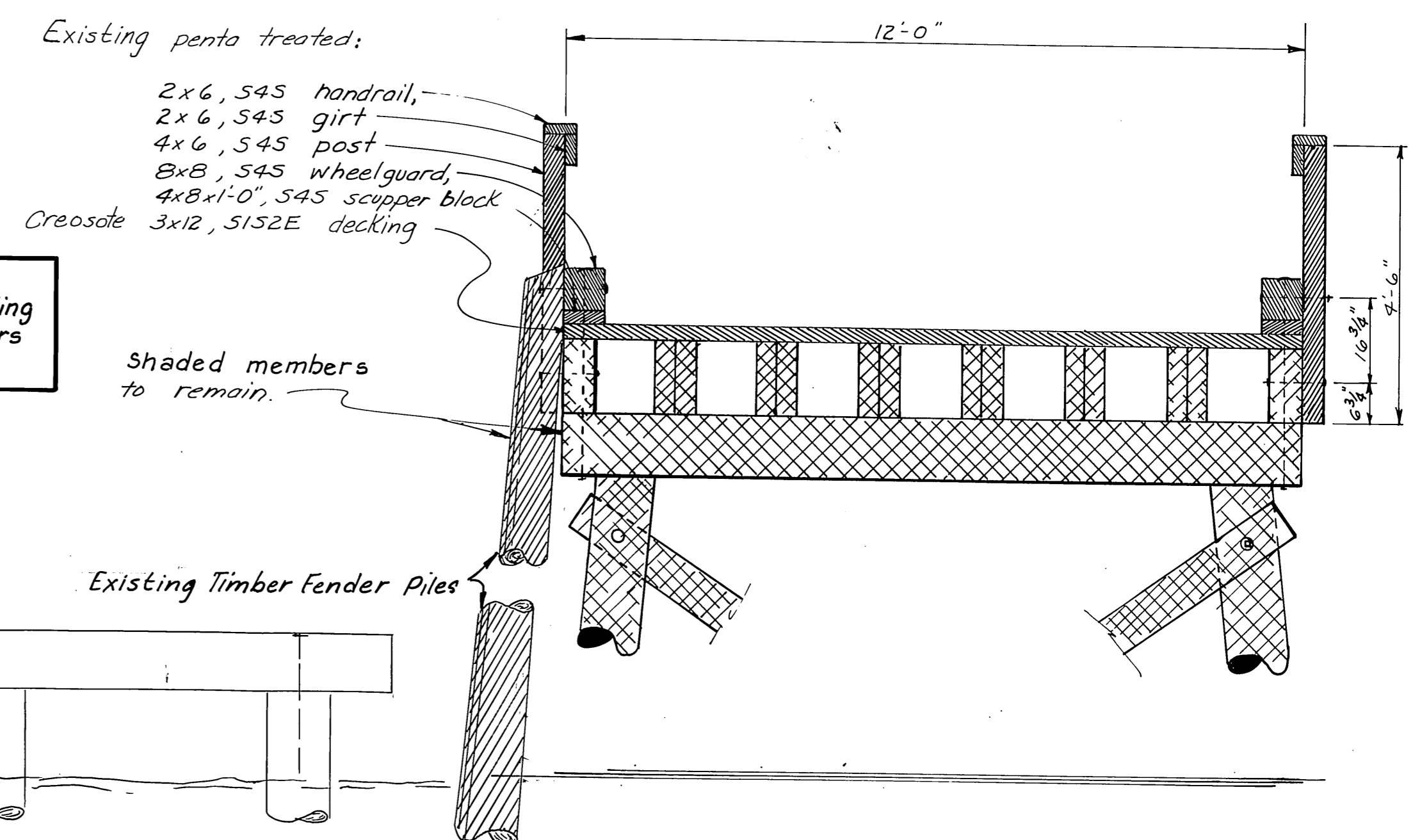


PROJECT LAYOUT
1" = 50'

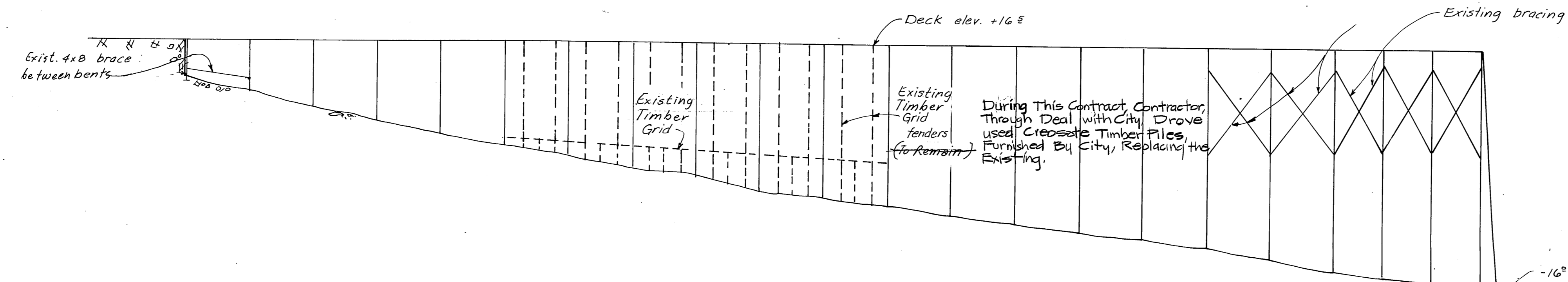
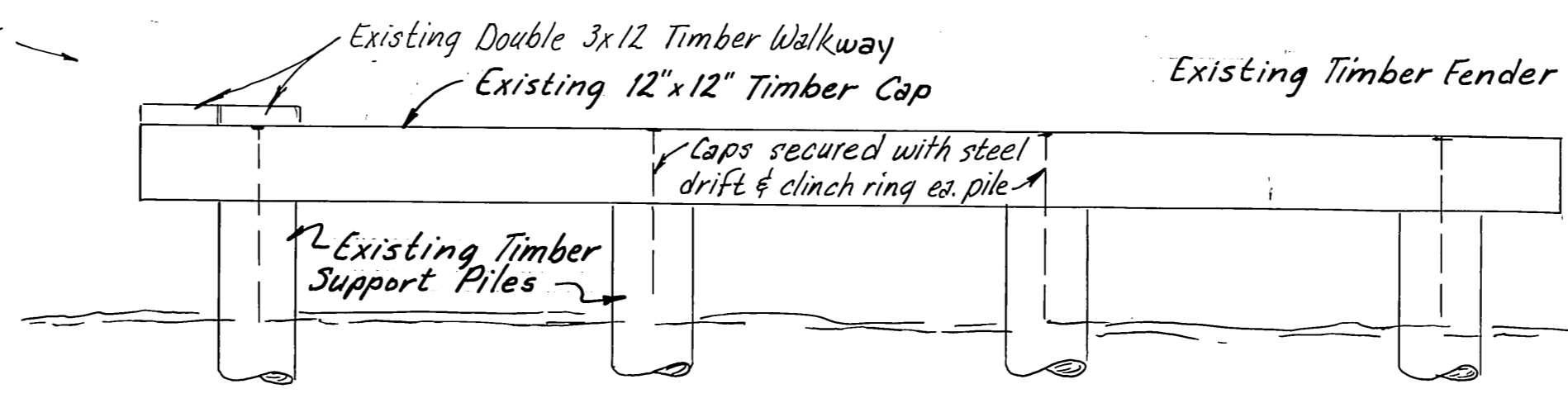


EXISTING APPROACH ELEVATION
1/2" = 1'-0"

NOTE: Removal and disposal of existing grid bents 1-13 including caps, piles, walkway and ladders is Bid Item 201.



EXISTING APPROACH AND GRID SECTION
1/2" = 1'-0"

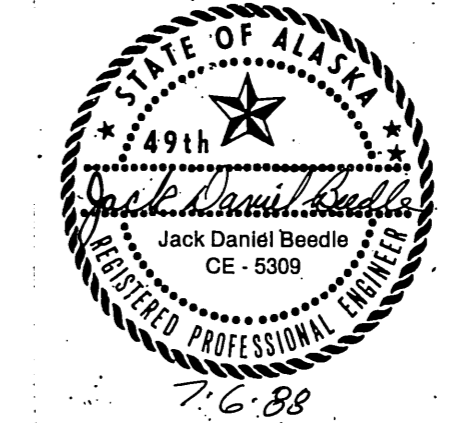


APPROACH PROFILE
V 1" = 10'
H 1" = 20'

TIDE DATA

EHW	= 13.0
MHHW	= 10.0
MHW	= 9.2
MTL	= 5.3
MLLW	= 0.0
ELW	= -4.0

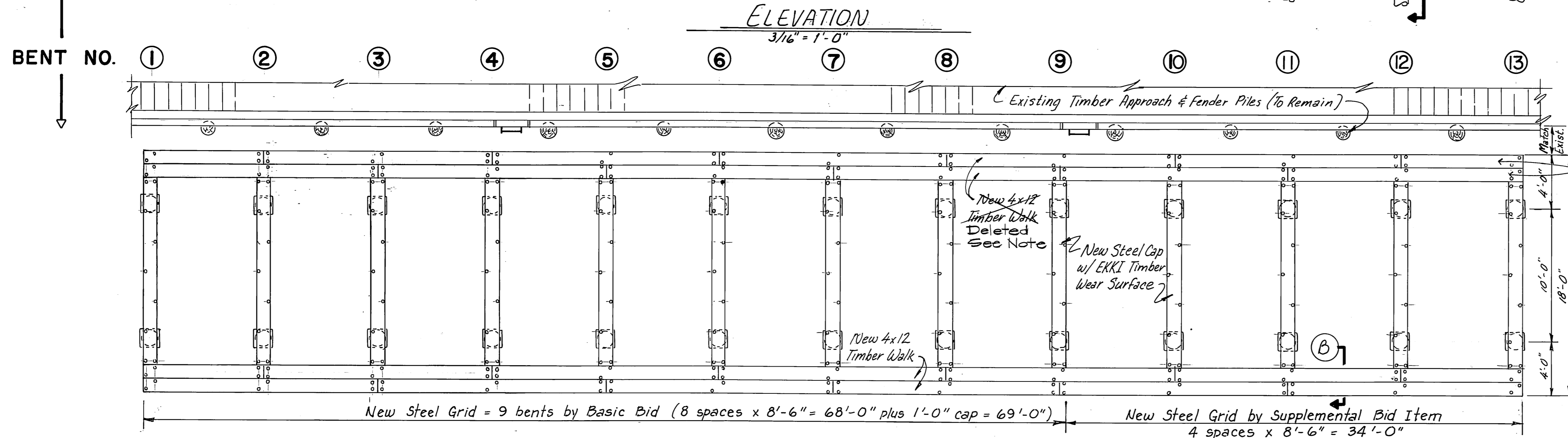
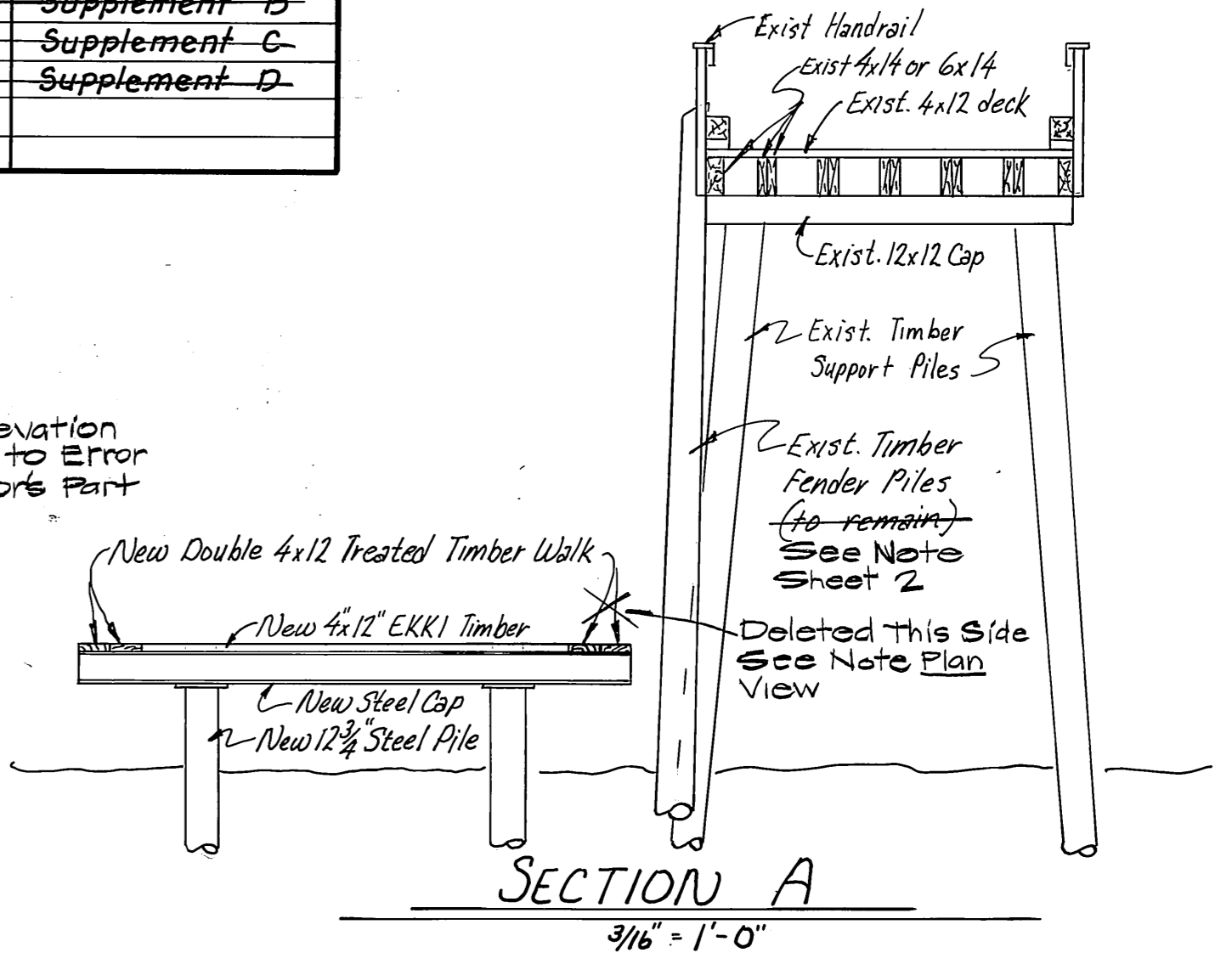
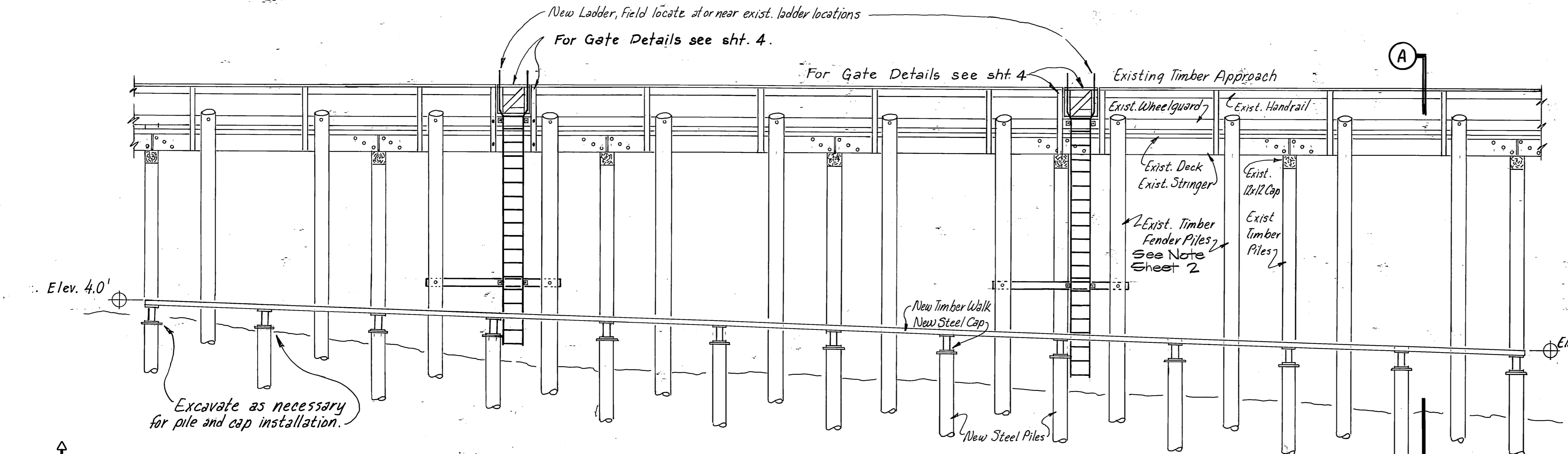
AS BUILT
MARK HALVORSEN
5/19/89



DO NOT SCALE THIS DRAWING - USE DIMENSIONS		
STATE OF ALASKA DEPARTMENT OF PUBLIC WORKS DIVISION OF WATER AND HARBORS		
Craig	Alaska	
AS-BUILT GRID & APPROACH DETAILS		
SCALE As noted	SURVEYED HM	APPROVED
DESIGNED HM	DRAWN LM	DIRECTOR
CHECKED [Signature]	DATE July 76	
PROJECT NUMBER 69725	SHEET 2 OF 4	

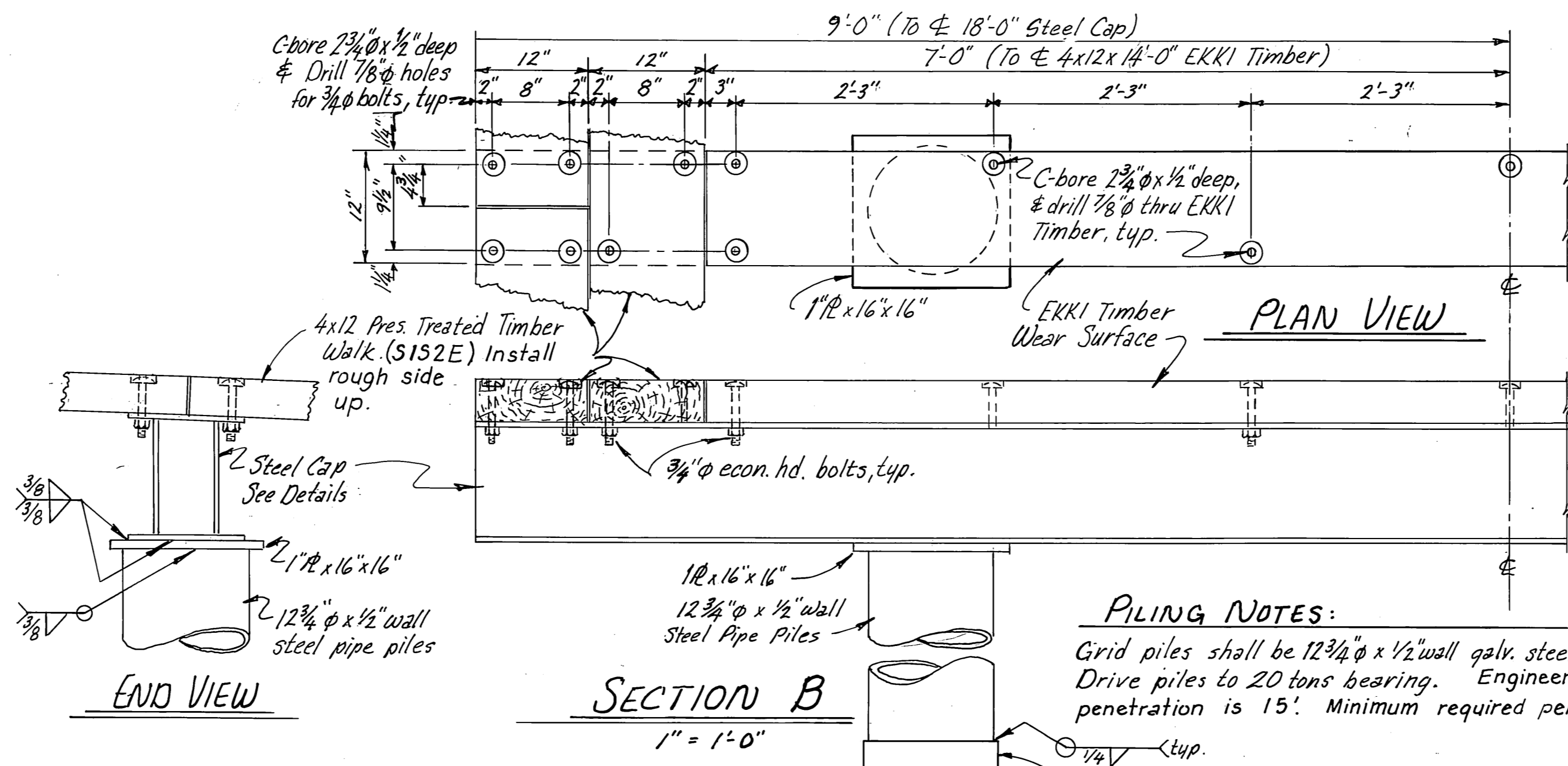
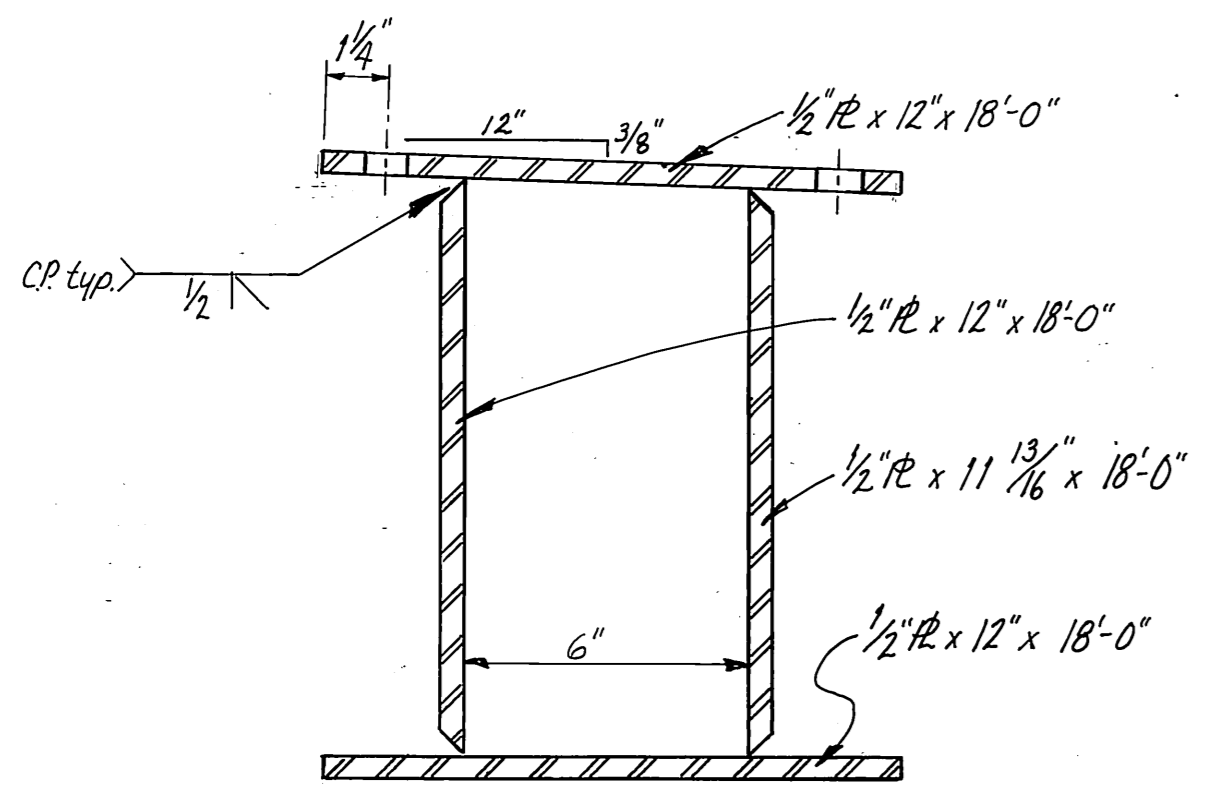
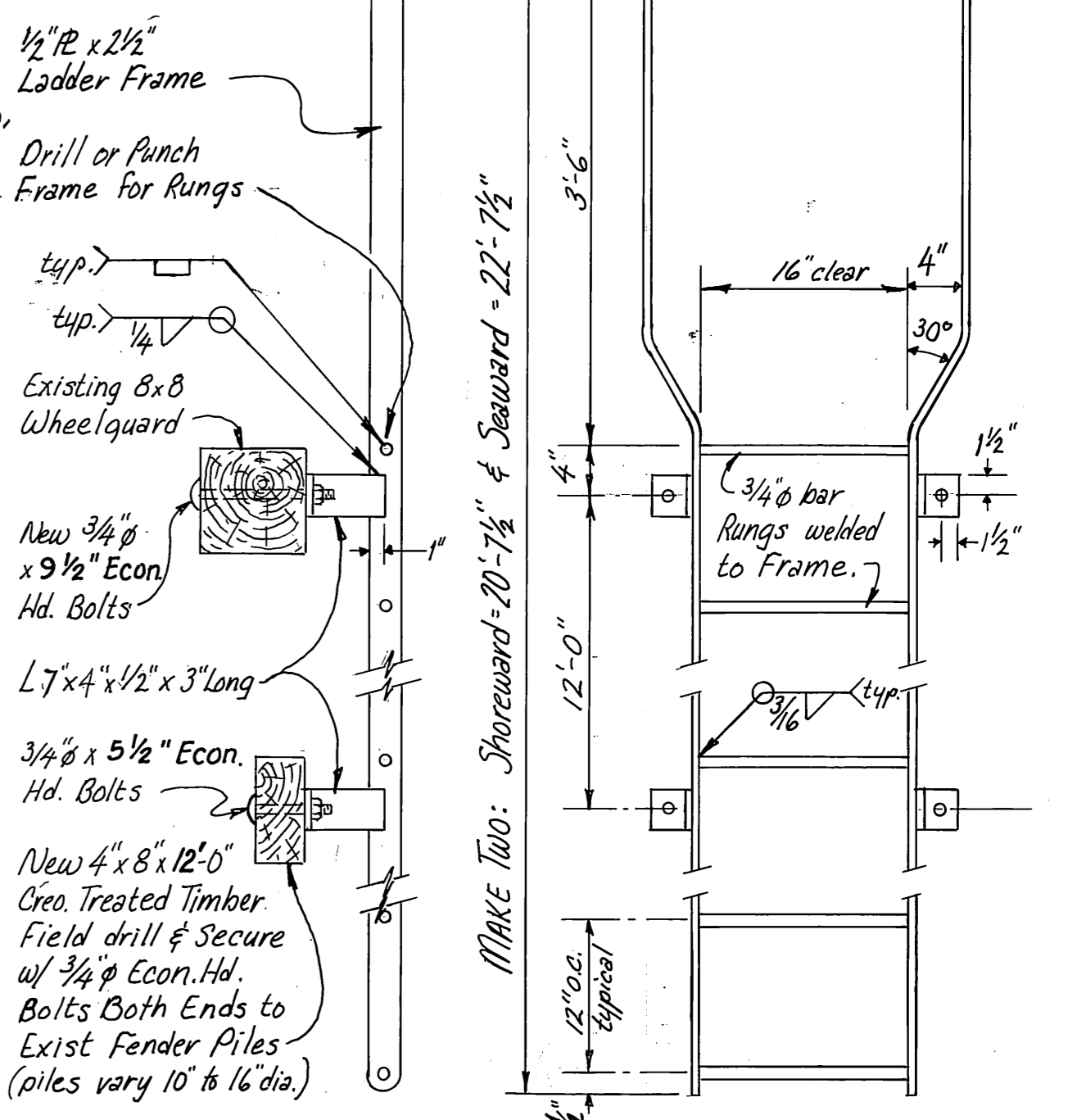
NEW STEEL GRID WORK SUMMARY	
BENT #	WORK ITEM
1-9	Basic Bid
10-13	Supplement A
10-12	Supplement B
10-11	Supplement C
10-only	Supplement D

NOTE: Basis of Elevation = Top of existing timber approach deck = 16.5 ft.

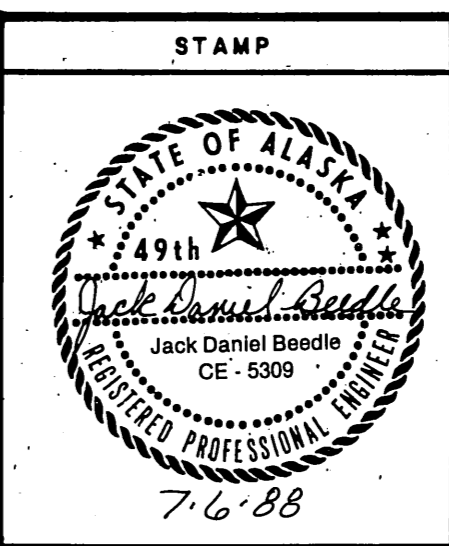


This Grade Elevation changed Due to Error On Contractors Part

The Walkway This Side Deleted At Request of City - To Be Installed At Possible Different Location, with Different Design, By City At Later Date.



PILING NOTES:
 Grid piles shall be 12 3/4\"/>



NOTE: Scales shown not accurate for reduced drawings. DO NOT SCALE THIS DRAWING - USE DIMENSIONS

STATE OF ALASKA
 DEPARTMENT OF TRANSPORTATION AND PUBLIC FACILITIES

CRAIG **GRID DETAILS** ALASKA

DESIGNED	CHECKED <i>JOB</i>	DRAWN <i>W.M.N.</i>	DATE <i>April 88</i>
PROJECT NUMBER	69725		SHEET <i>3</i> OF <i>4</i>

