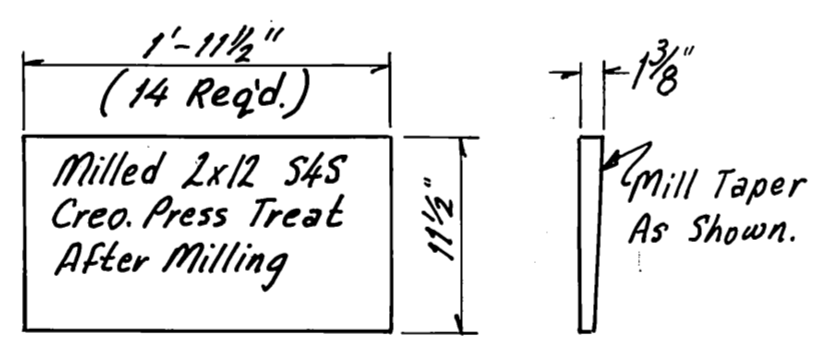
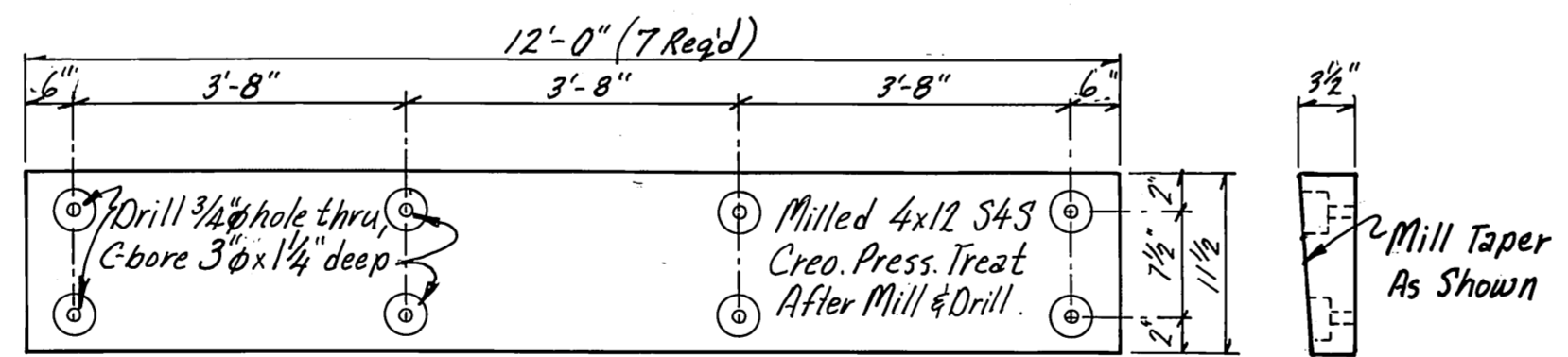


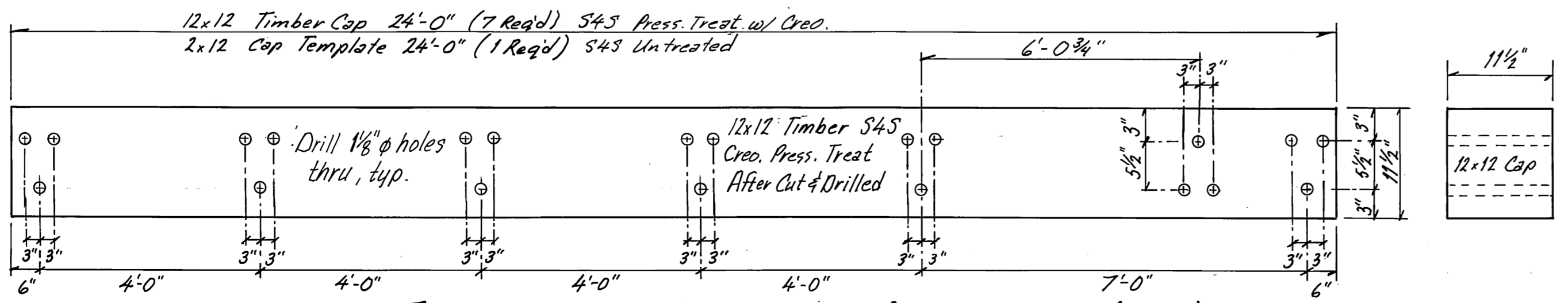
WALKWAY PLANKS (2 Ea. Req'd.) nts



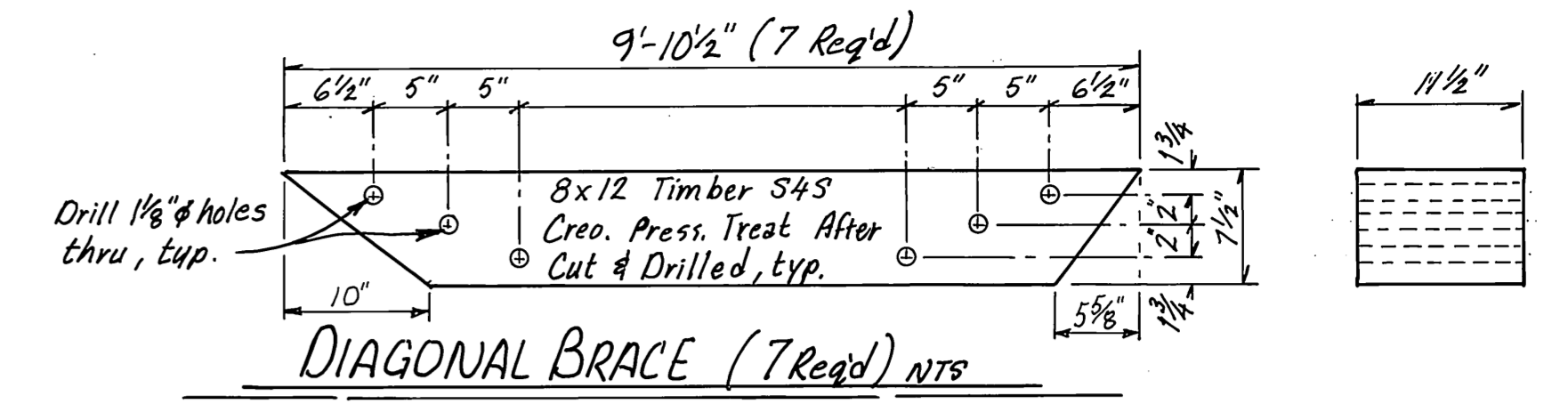
WALKWAY SHIMS (14 Req'd.) nts



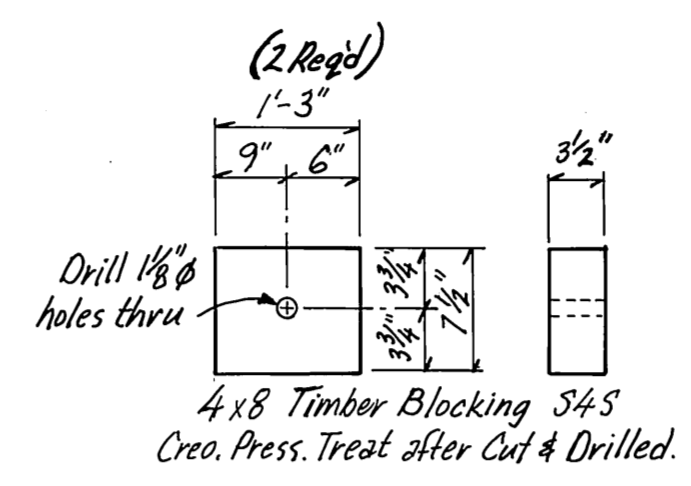
MILLED WEAR PLANK (7 Req'd.) nts



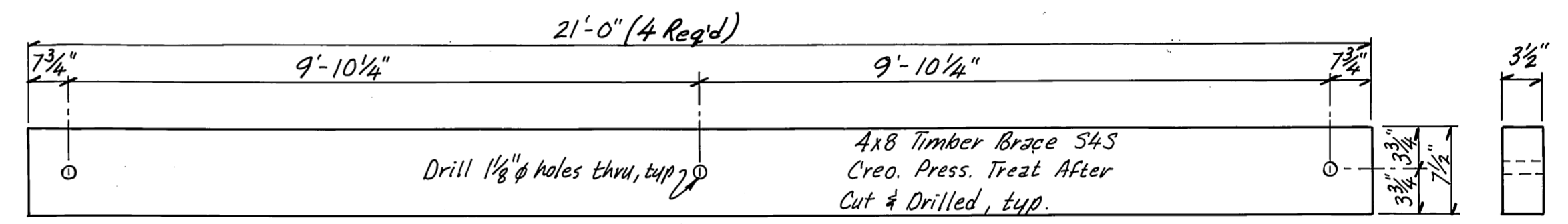
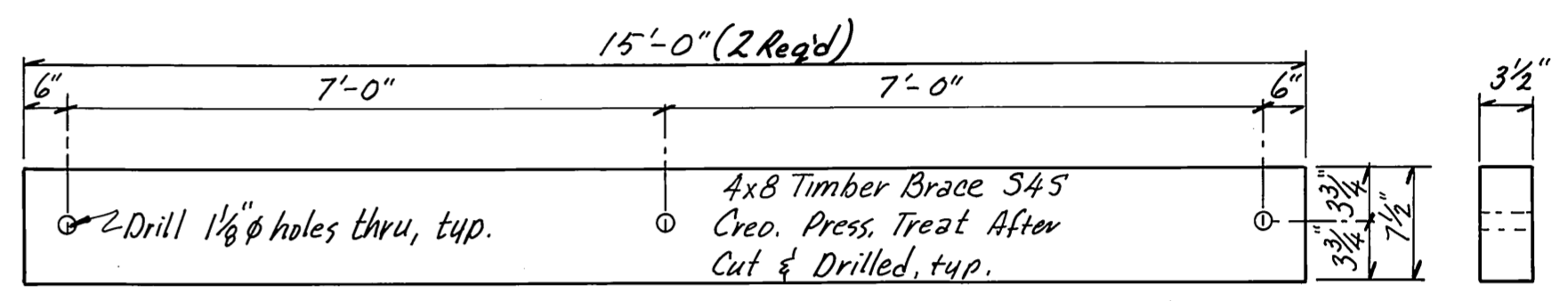
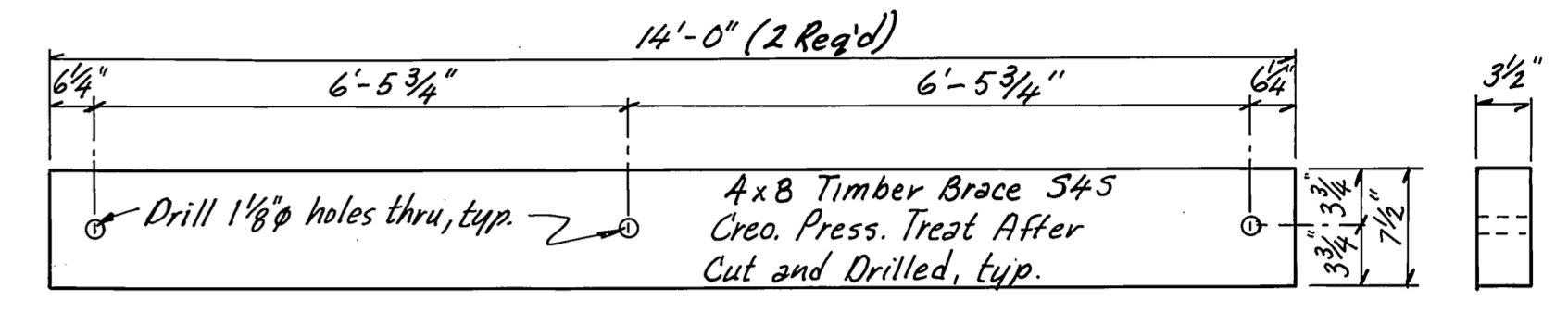
TIMBER GRID CAP (7 Req'd.) nts & CAP TEMPLATE (1 Req'd.) nts



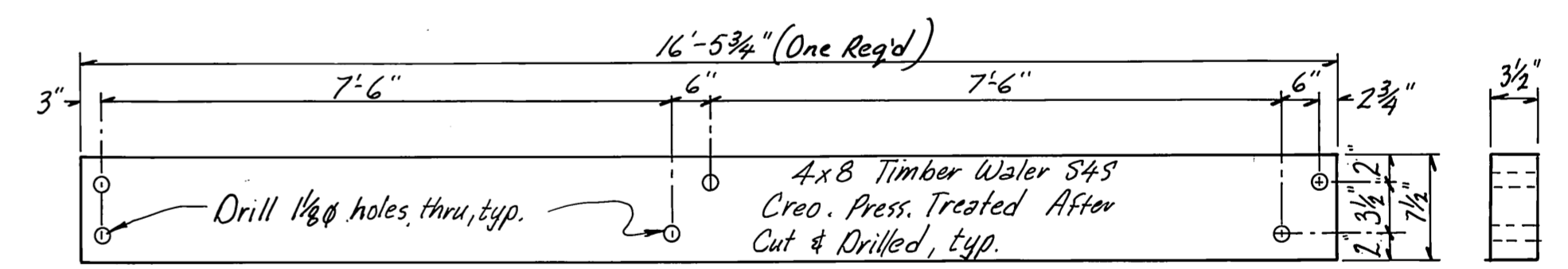
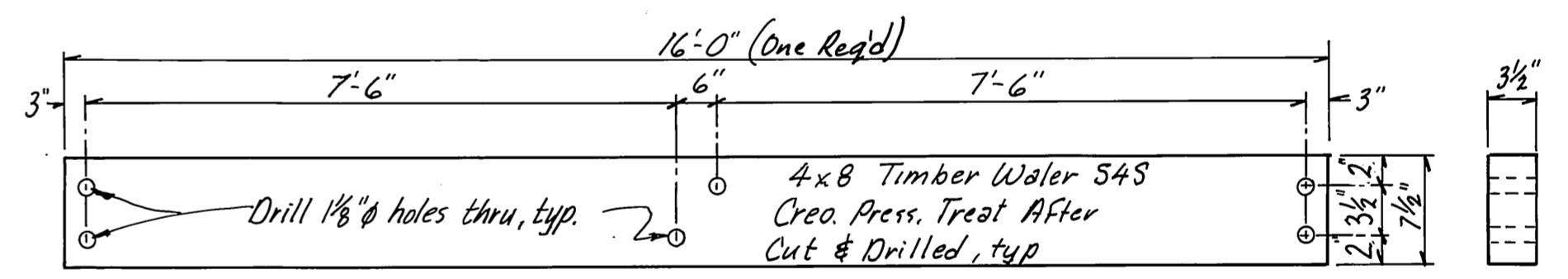
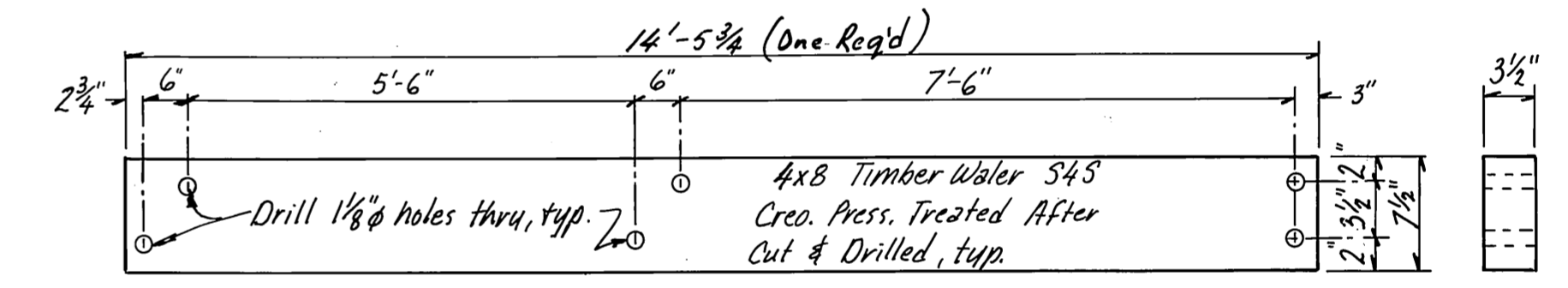
DIAGONAL BRACE (7 Req'd.) nts



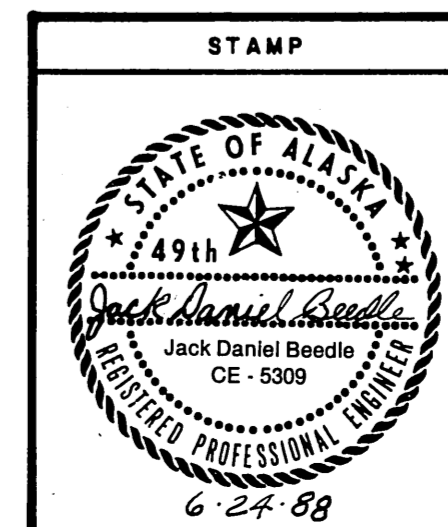
**4x8 Timber Blocking S4S
Creo. Press. Treat after Cut & Drilled.**



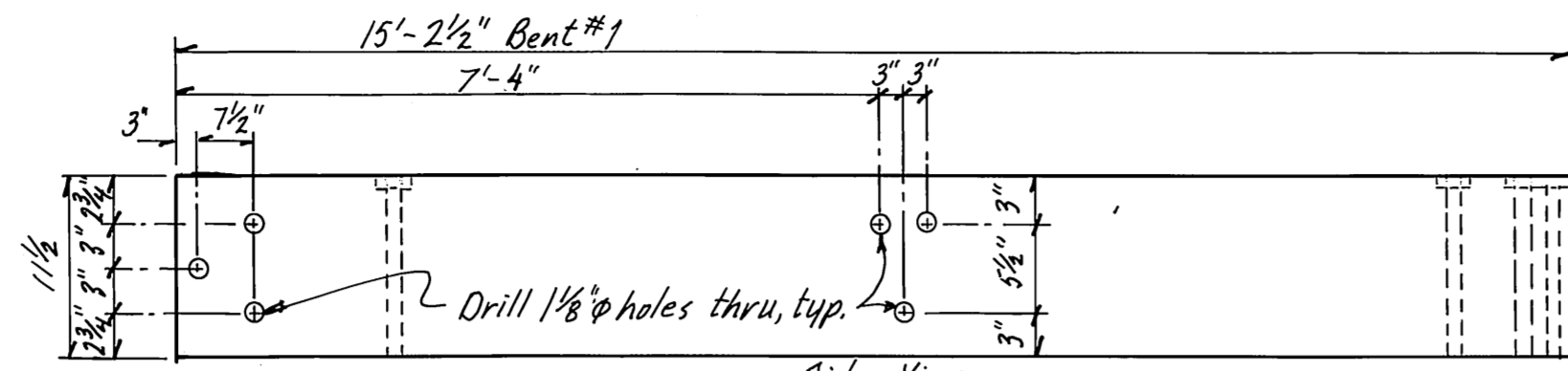
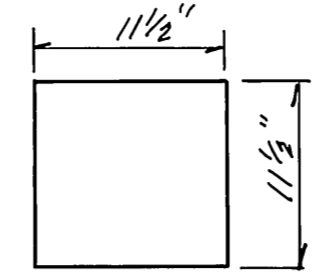
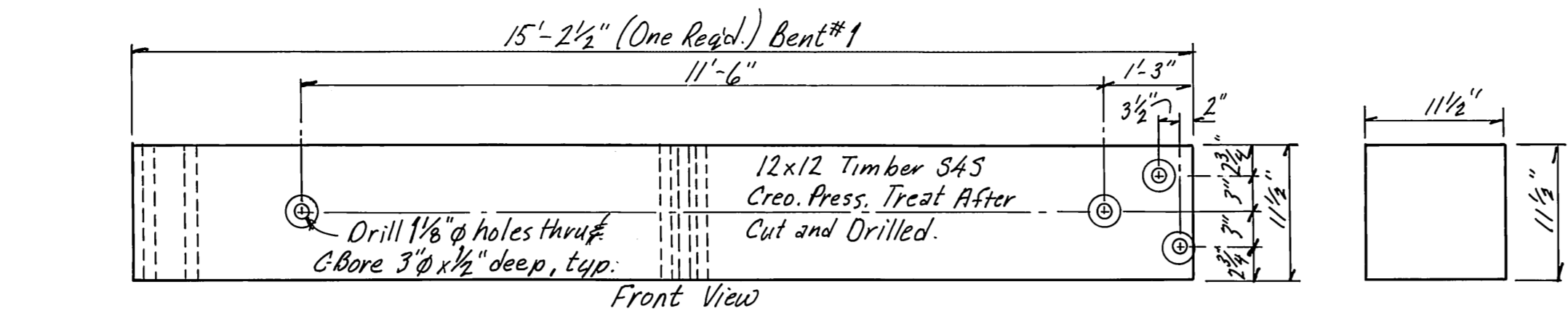
CROSS BRACING (2 Req'd @ 14'-0", 2 Req'd @ 15'-0", 4 Req'd @ 21'-0" & 2 Req'd @ 1'-3") nts



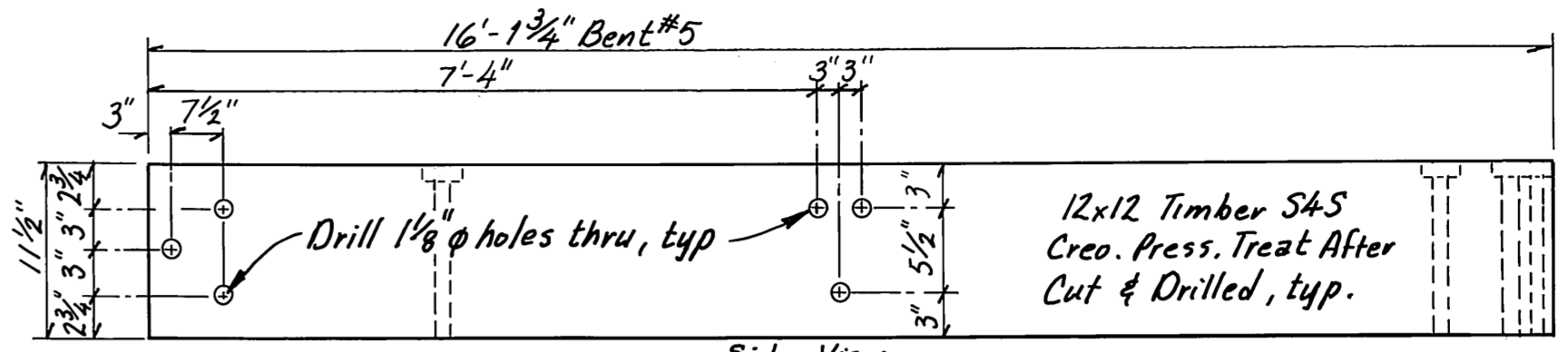
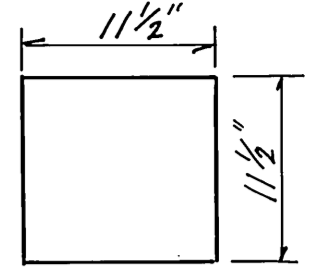
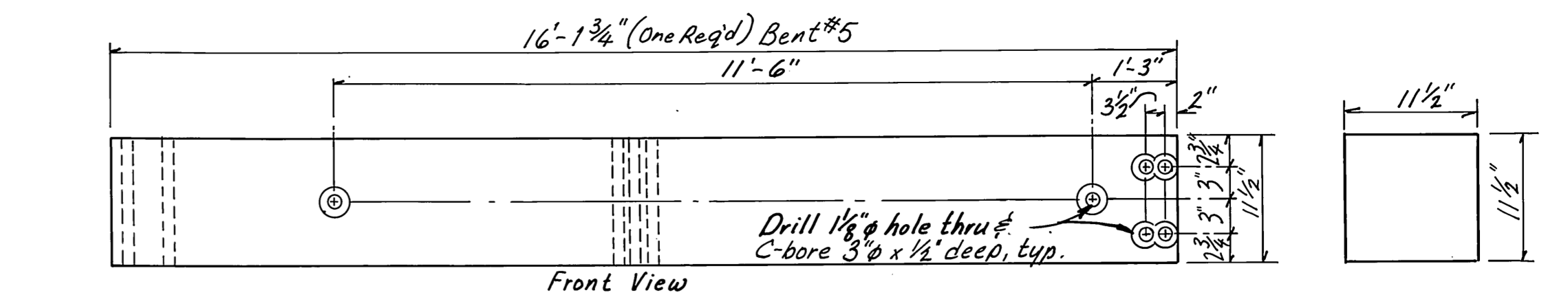
TOP WALERS (1 Each Req'd.) nts



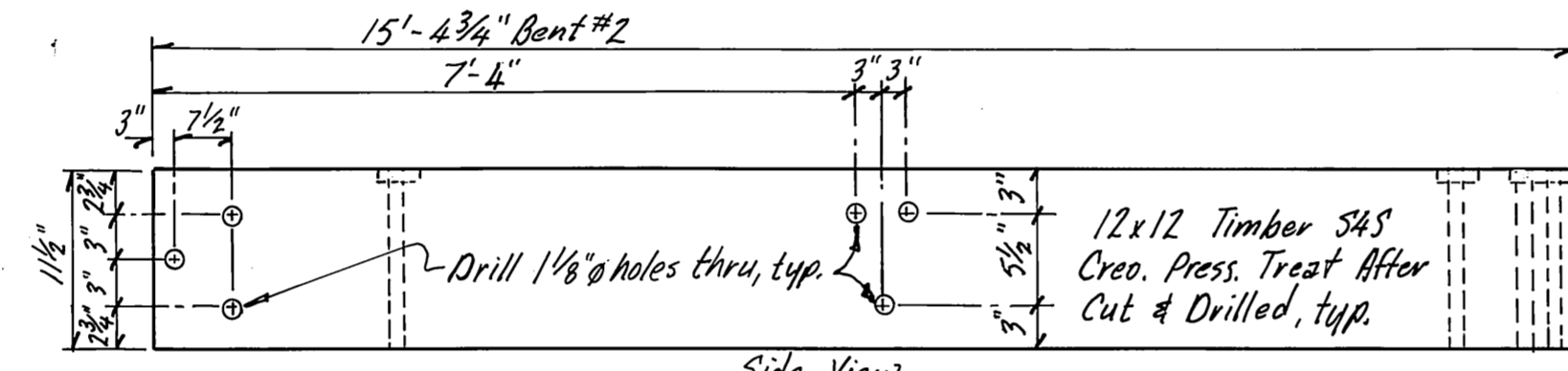
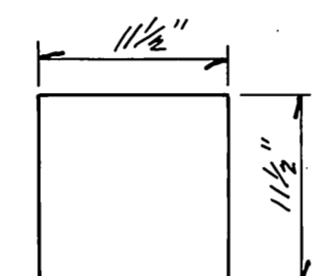
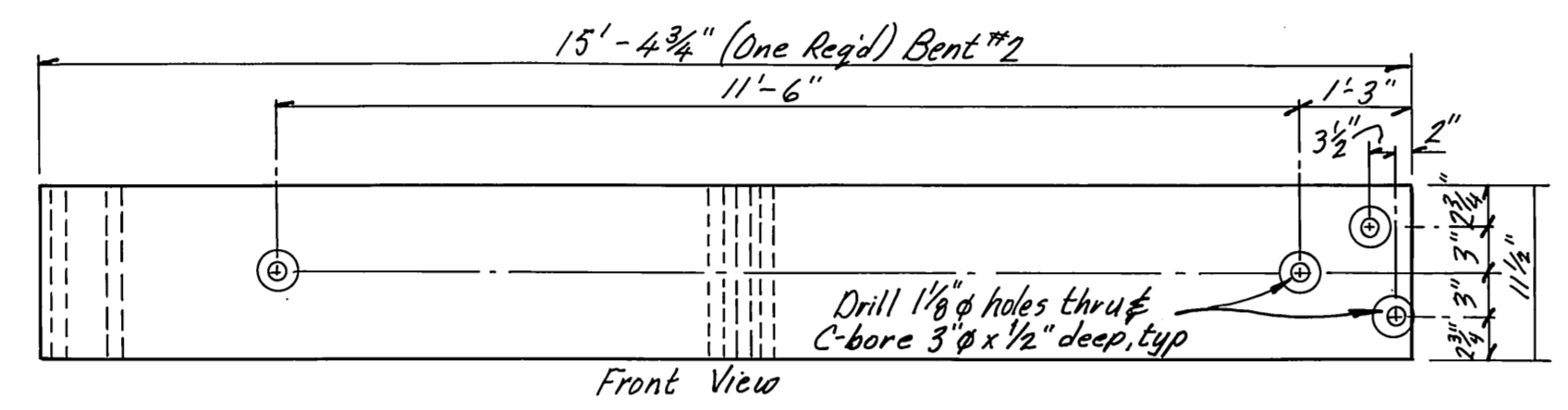
DO NOT SCALE THIS DRAWING - USE DIMENSIONS			
STATE OF ALASKA DEPARTMENT OF TRANSPORTATION AND PUBLIC FACILITIES			
EDNA BAY		ALASKA	
TIMBER CAP, WALKWAY, WALER & BRACING DETAILS			
DESIGNED <i>WmN/DOB</i>	CHECKED <i>JOB</i>	DRAWN <i>WmN</i>	DATE <i>June 88</i>
PROJECT NUMBER 69705	SHEET 1		OF 2



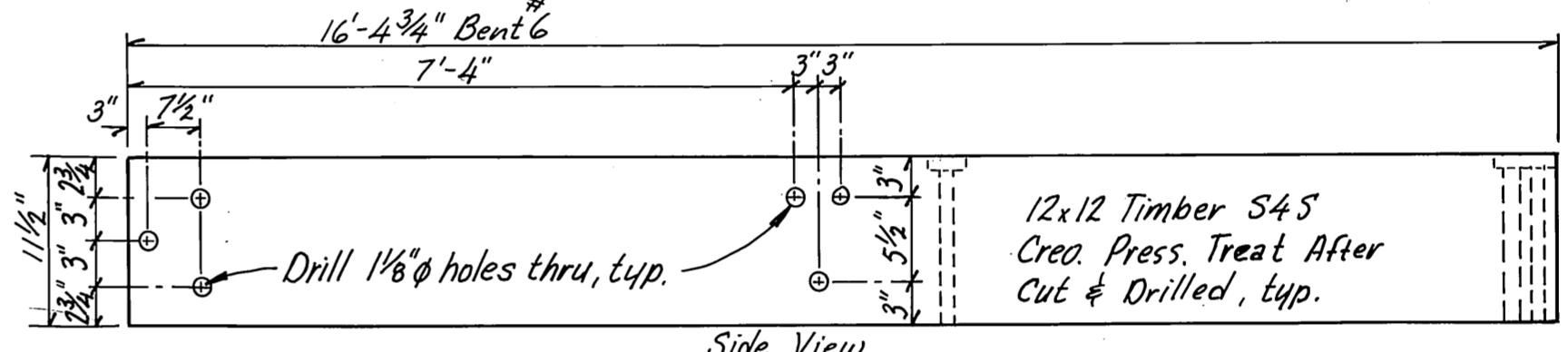
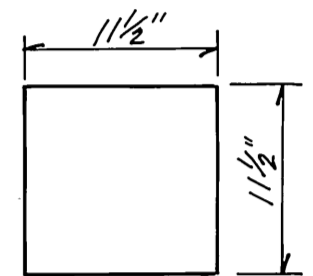
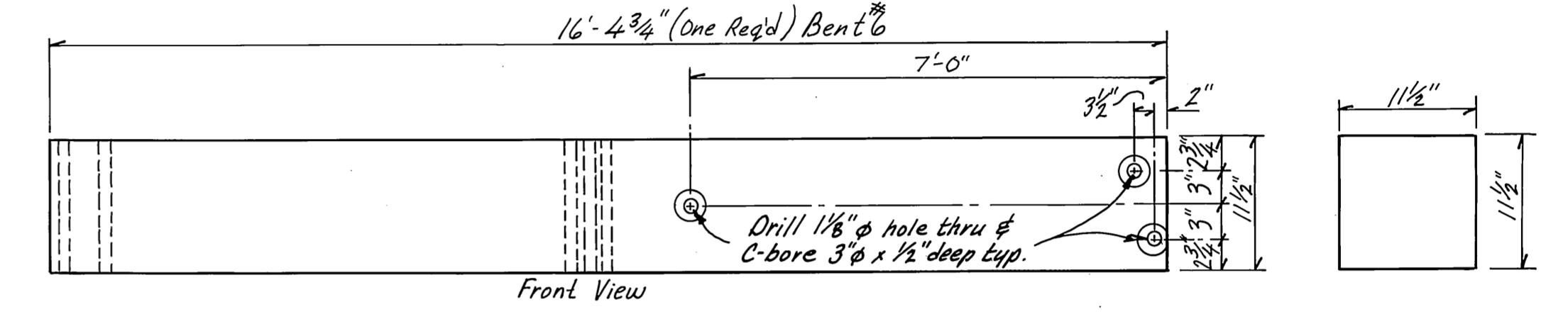
Side View
FENDER TIMBER - BENT #1 (One Req'd) nrs



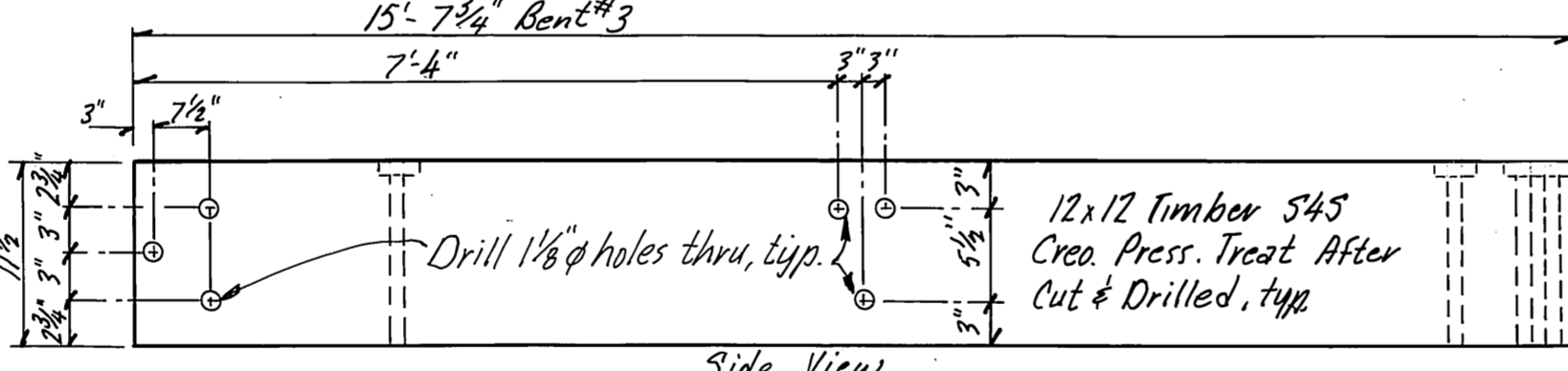
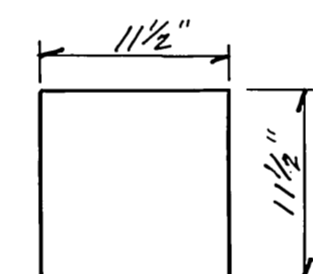
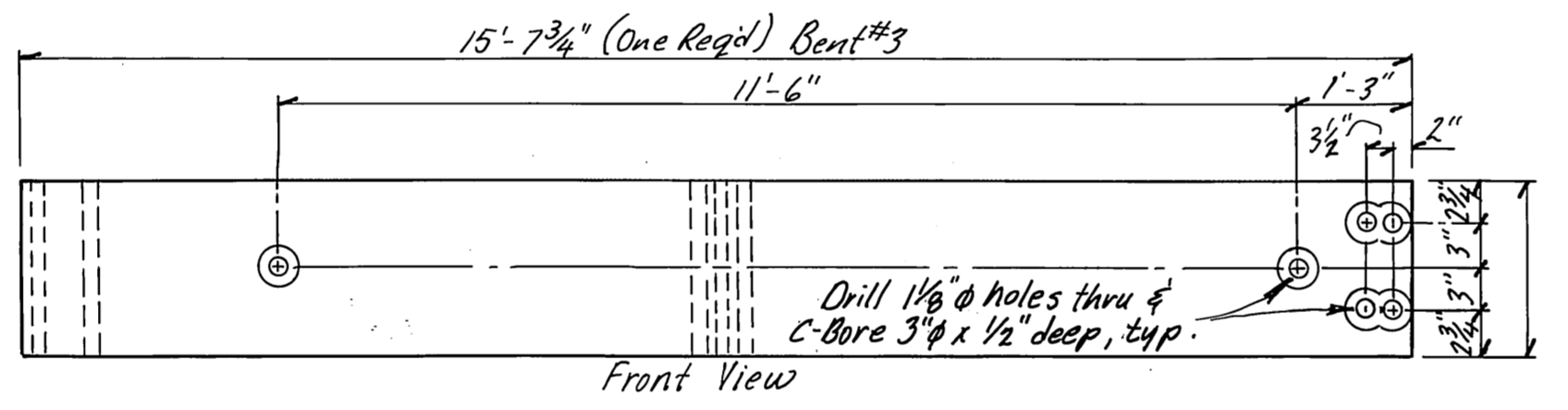
Side View
FENDER TIMBER - BENT #5 (One Req'd.) nrs



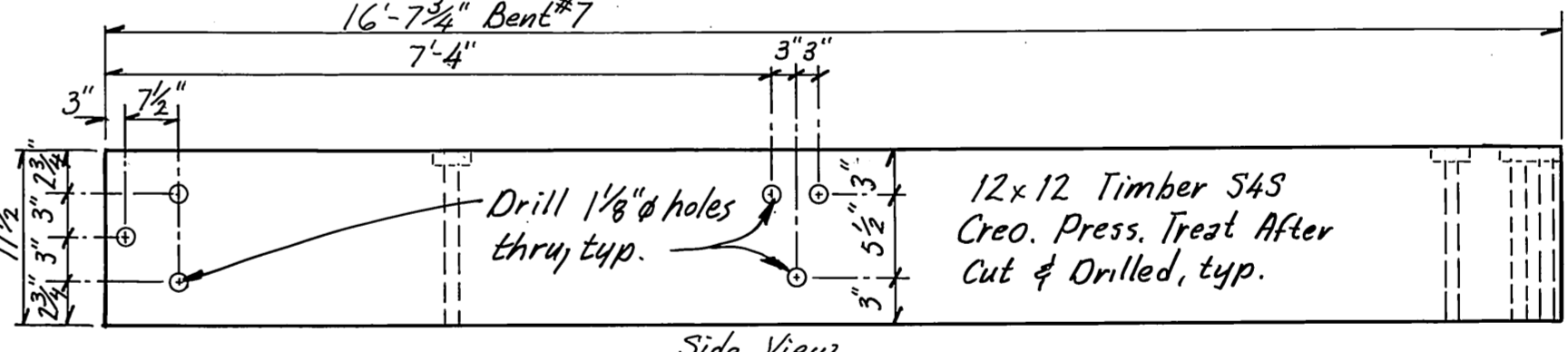
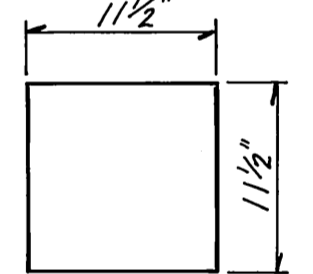
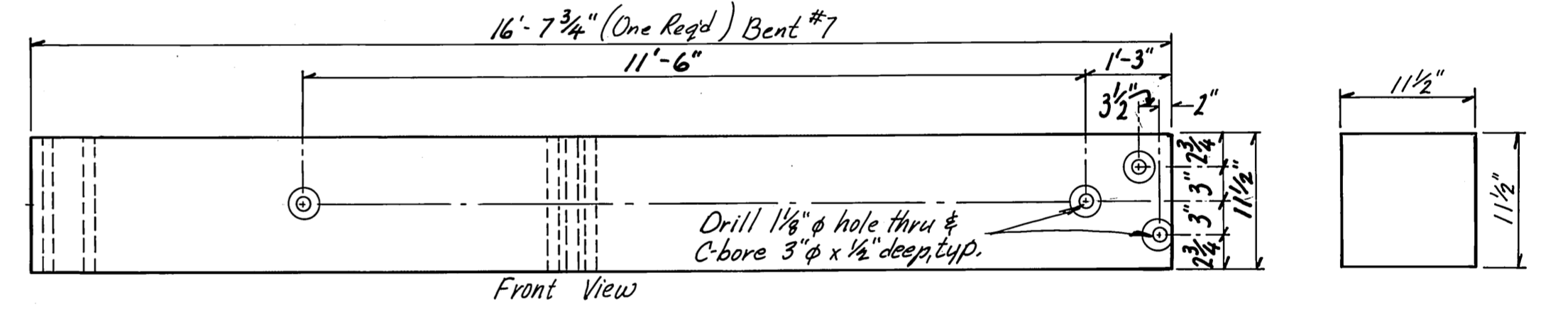
Side View
FENDER TIMBER - BENT #2 (One Req'd) nrs



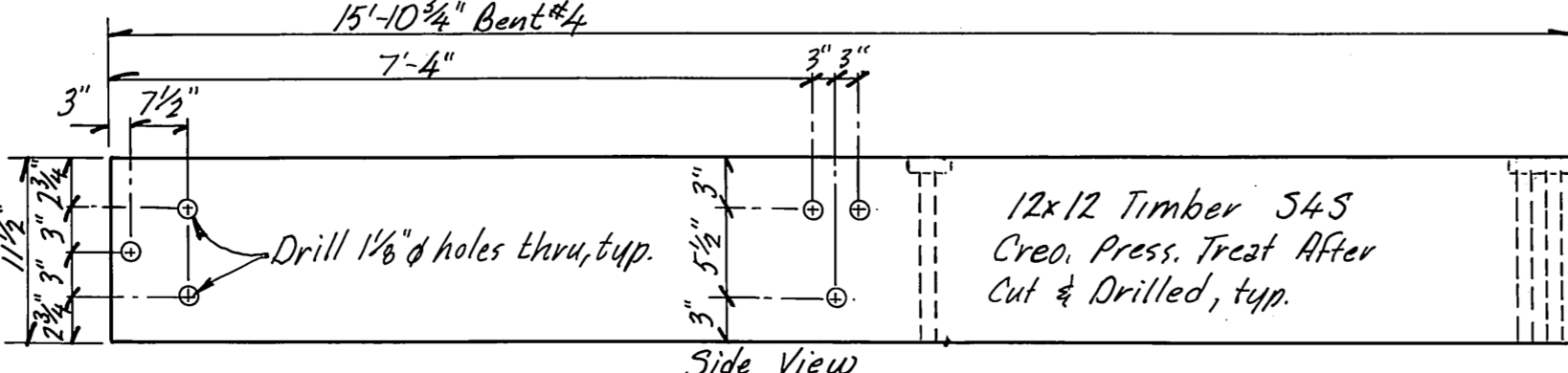
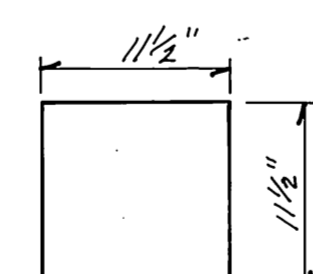
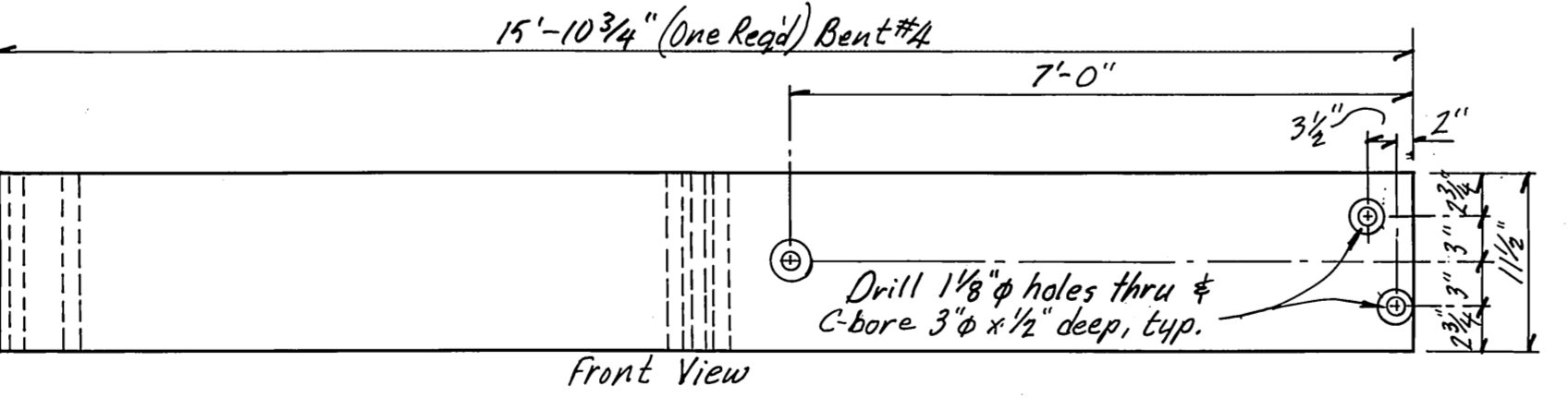
Side View
FENDER TIMBER - BENT #6 (One Req'd.) nrs



Side View
FENDER TIMBER - BENT #3 (One Req'd) nrs



Side View
FENDER TIMBER - BENT #7 (One Req'd) nrs



Side View
FENDER TIMBER - BENT #4 (One Req'd) nrs

STAMP		DO NOT SCALE THIS DRAWING - USE DIMENSIONS	
STATE OF ALASKA			
DEPARTMENT OF TRANSPORTATION AND PUBLIC FACILITIES			
EDNA BAY		ALASKA	
FENDER TIMBER DETAILS			
DESIGNED <i>WMD/JOB</i>	CHECKED <i>JOB</i>	DRAWN <i>WMD</i>	DATE <i>June 88</i>
PROJECT NUMBER <i>69705</i>		SHEET <i>2</i> OF <i>2</i>	