

As-Built

INDEX OF SHEETS

SHEET NO.	DESCRIPTION
1	Title Sheet
2	Site Plan
3	Plan & Profile and Existing Conditions
4	New Launch Ramp Details

STATE OF ALASKA
 DEPARTMENT OF TRANSPORTATION
 AND
 PUBLIC FACILITIES
 SOUTHEAST REGION

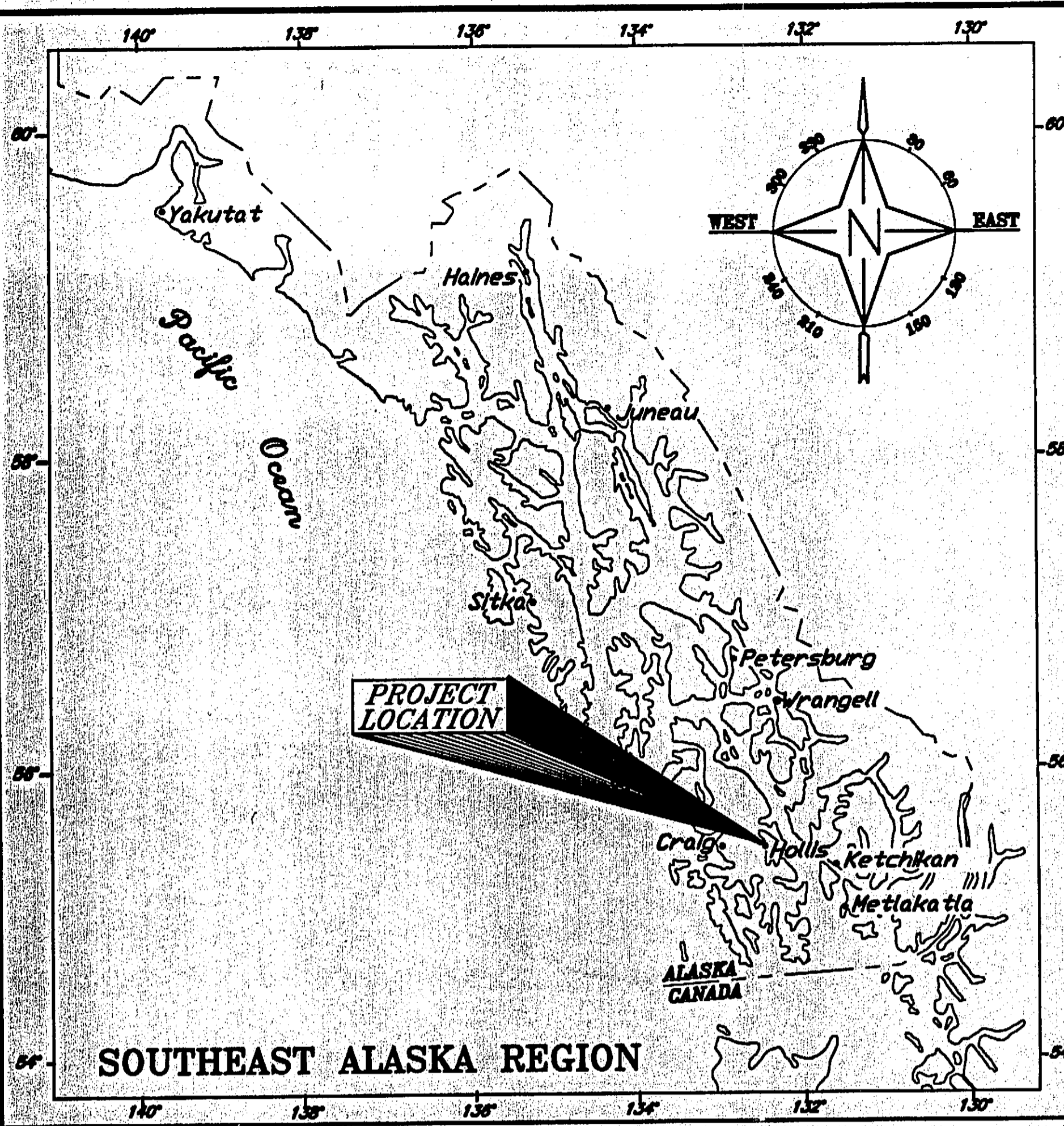
HOLLIS, ALASKA

Hollis Boat Launch Ramp Replacement

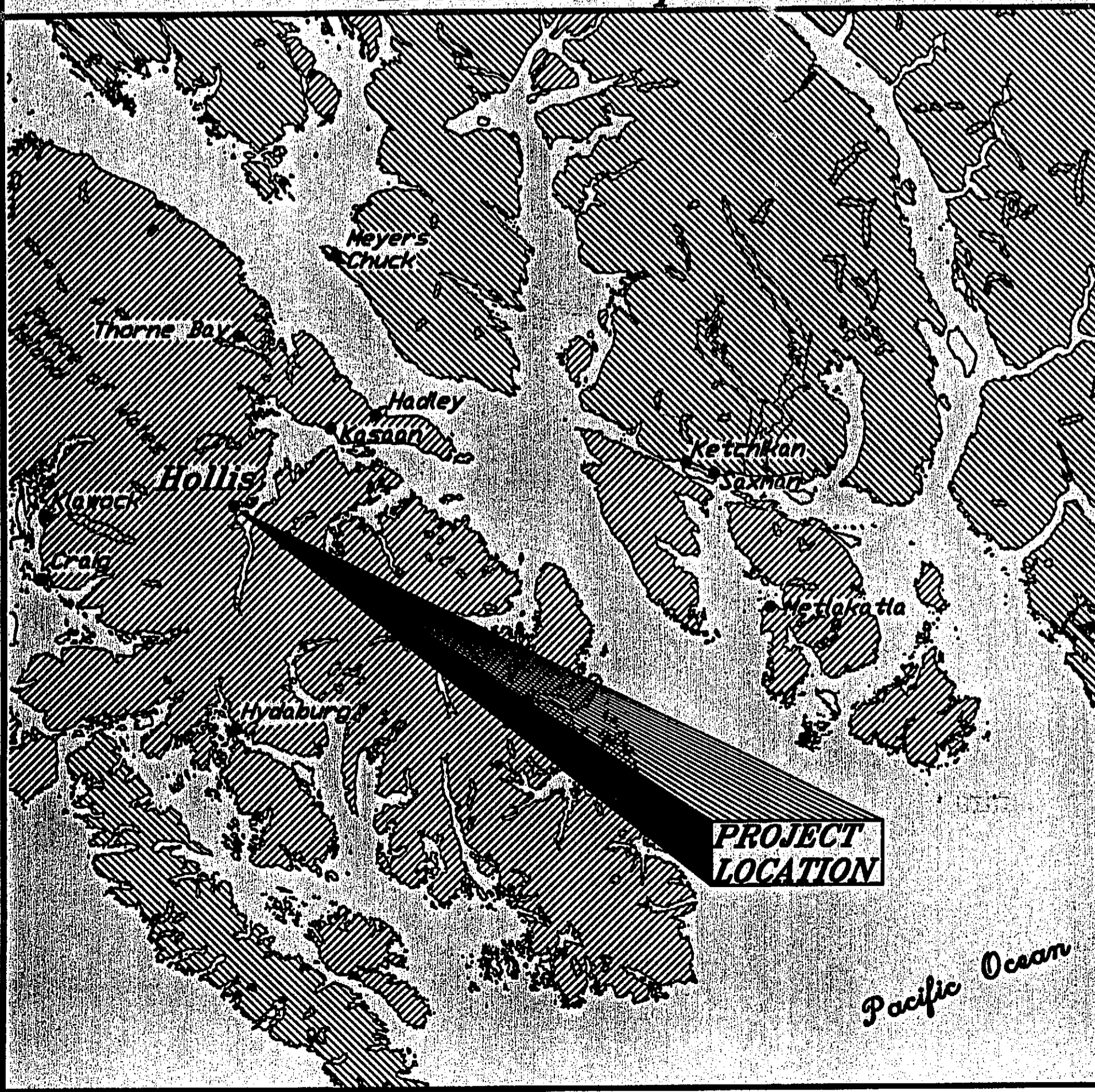
PROJECT NO. 68735

ESTIMATE OF QUANTITIES

Item No.	Item	Unit	Quantity
110(1)	Mobilization and Demobilization	LS	All Req'd
111(1)	Temporary Erosion and Pollution Control	LS	All Req'd
111(2)	Erosion and Pollution Control	CS	All Req'd
201(1)	Demolition and Removal	LS	All Req'd
201(2)	Salvage Concrete Planks	LS	All Req'd
205(1)	Riprap - Class II	CY	80 122.1
312(1)	Concrete Launch Ramp	LS	All Req'd



Location Map



Vicinity Map



Existing Site

As-Built Plans
 Contractor: Pool Engineering, Inc.
 Project Engineer: Mark Fgley
 Begin Construction: February 14, 2004
 End Construction: March 7, 2004

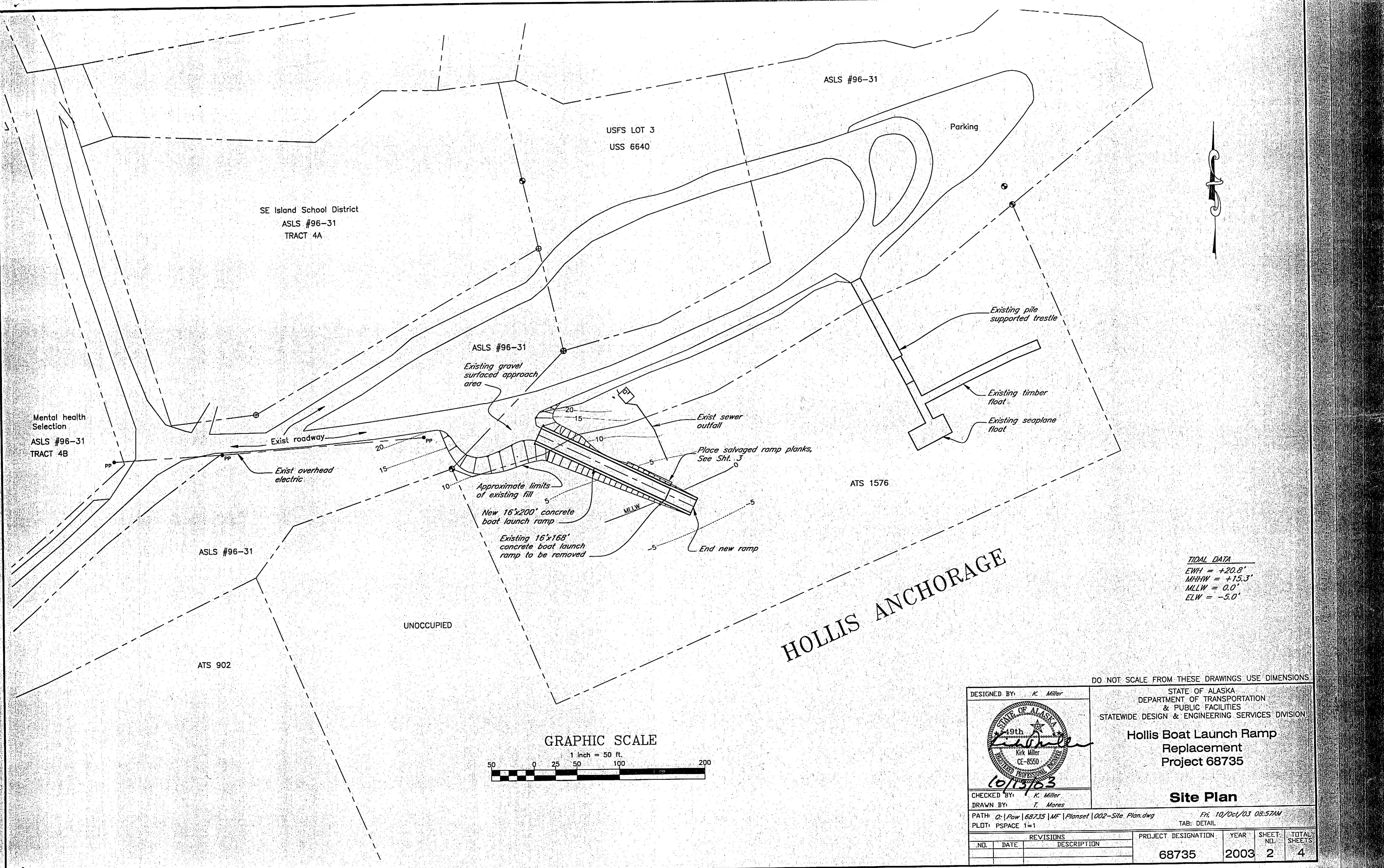
STATE OF ALASKA
 DEPARTMENT OF TRANSPORTATION
 AND
 PUBLIC FACILITIES
 SOUTHEAST REGION

APPROVED: *[Signature]* Date: 10/13/03
 Regional Reconstruction Engineer
 Patrick A. Korte

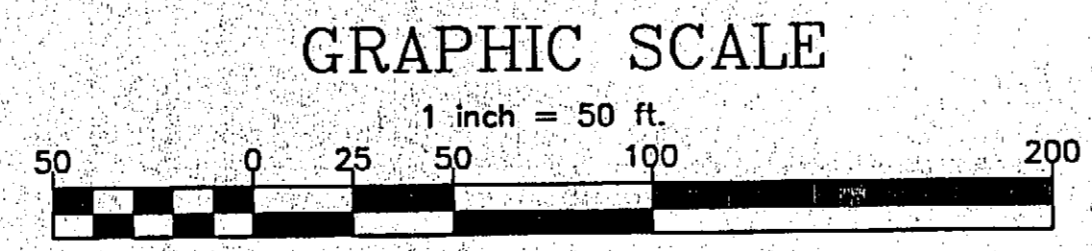
APPROVED: *[Signature]* Date: 10-13-03
 Director, S.E. Region
 Gary L. Paxton

PROJECT NUMBER: 68735
 DATE: 2003
 SHEET 1 OF 4

[Seal]
 10/13/03

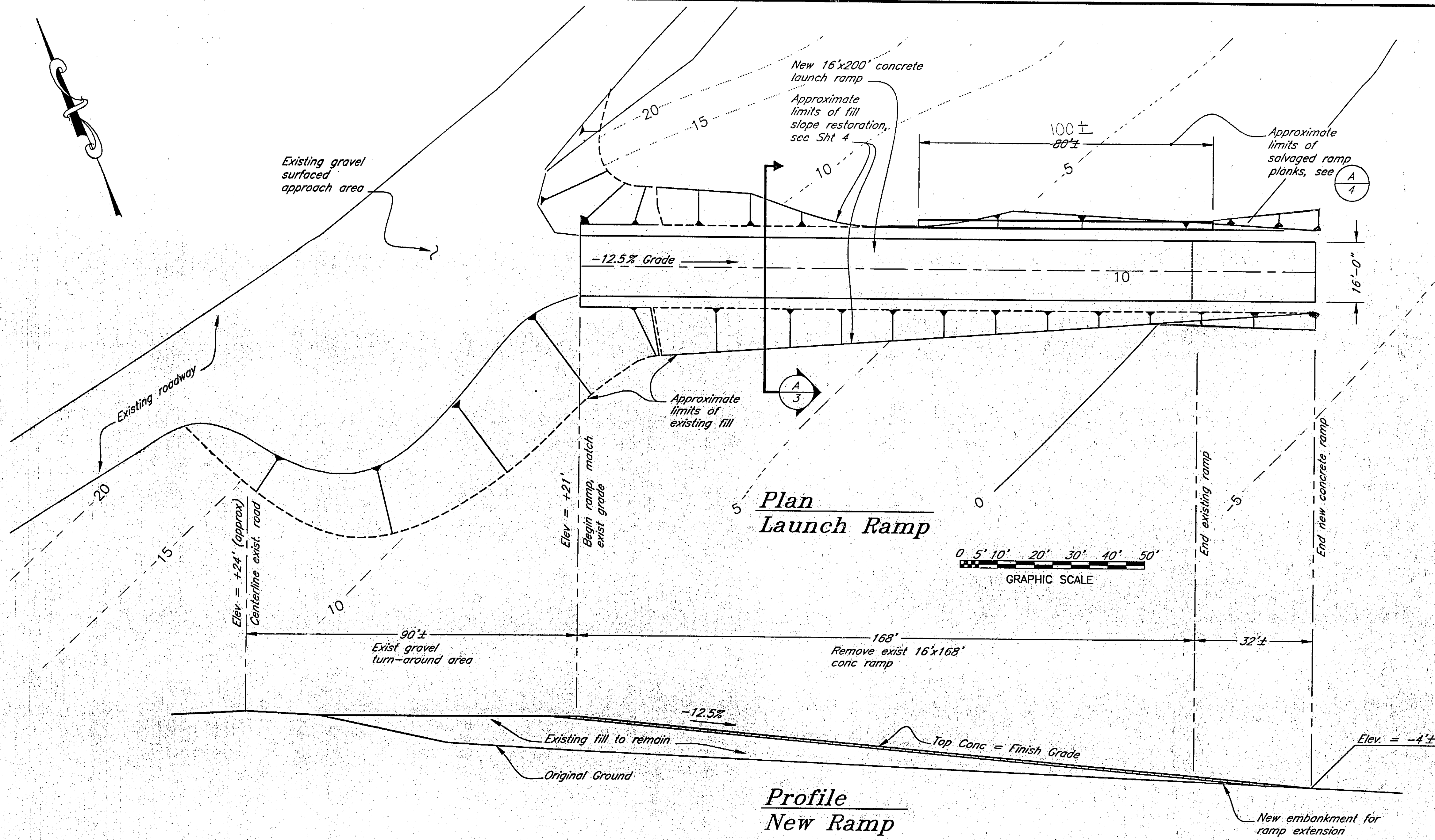


TIDAL DATA
 EWH = +20.8'
 MHHW = +15.3'
 MLLW = 0.0'
 ELW = -5.0'



DO NOT SCALE FROM THESE DRAWINGS USE DIMENSIONS

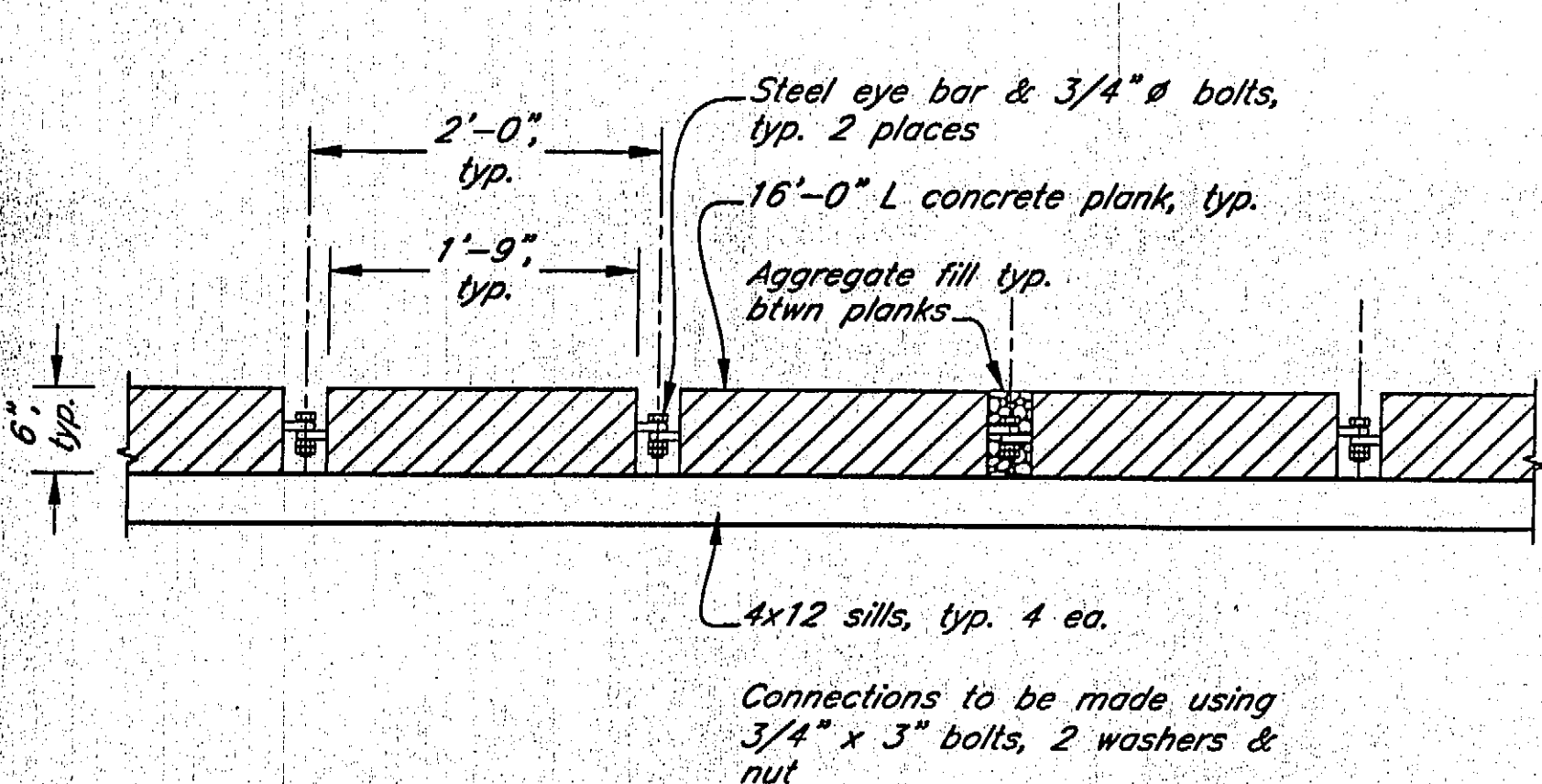
DESIGNED BY: K. Miller		STATE OF ALASKA DEPARTMENT OF TRANSPORTATION & PUBLIC FACILITIES STATEWIDE DESIGN & ENGINEERING SERVICES DIVISION															
		Hollis Boat Launch Ramp Replacement Project 68735															
		Site Plan															
CHECKED BY: K. Miller		PROJECT DESIGNATION: 68735															
DRAWN BY: T. Mores		YEAR: 2003															
PATH: Q:\Pow\68735\MF\Planset\002-Site Plan.dwg		DATE: 10/Oct/03 08:57AM															
PLOT: PSPACE 1=1		TAB: DETAIL															
<table border="1"> <thead> <tr> <th>NO.</th> <th>DATE</th> <th>REVISIONS DESCRIPTION</th> </tr> </thead> <tbody> <tr> <td> </td> <td> </td> <td> </td> </tr> </tbody> </table>		NO.	DATE	REVISIONS DESCRIPTION				<table border="1"> <thead> <tr> <th>PROJECT DESIGNATION</th> <th>YEAR</th> <th>SHEET NO.</th> <th>TOTAL SHEETS</th> </tr> </thead> <tbody> <tr> <td>68735</td> <td>2003</td> <td>2</td> <td>4</td> </tr> </tbody> </table>		PROJECT DESIGNATION	YEAR	SHEET NO.	TOTAL SHEETS	68735	2003	2	4
NO.	DATE	REVISIONS DESCRIPTION															
PROJECT DESIGNATION	YEAR	SHEET NO.	TOTAL SHEETS														
68735	2003	2	4														



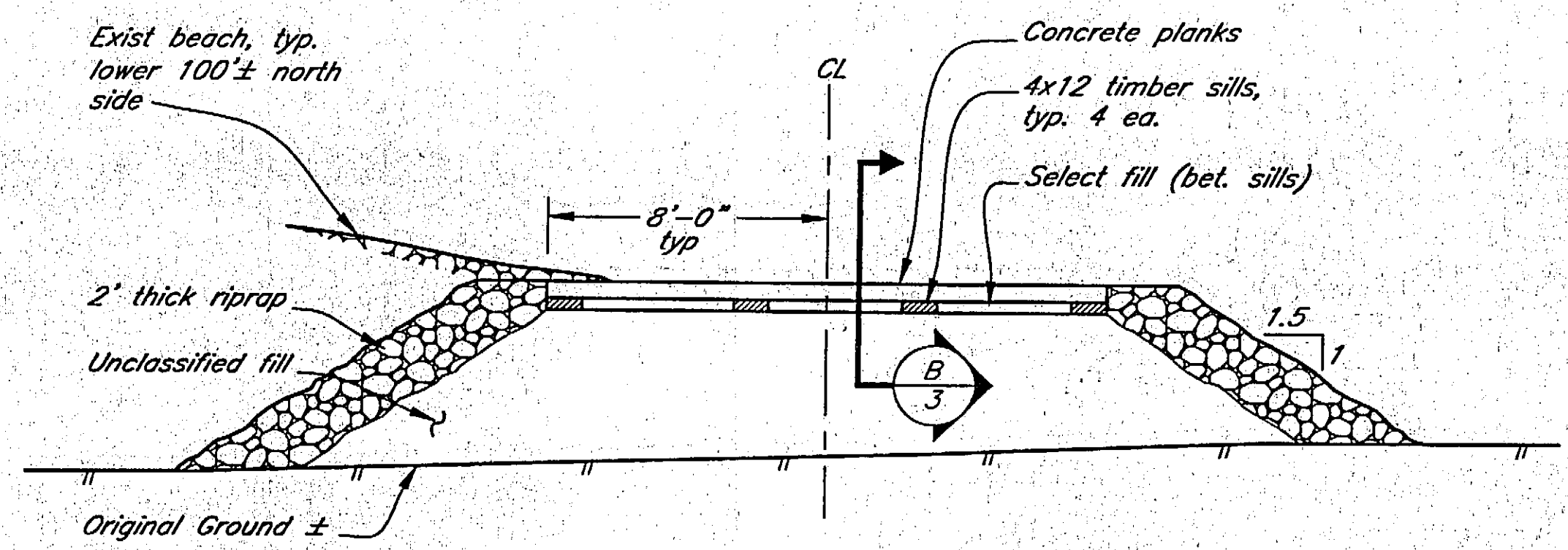
Plan
Launch Ramp

Profile
New Ramp

- General Notes:**
1. All existing features not entirely shown. Contractor shall verify existing conditions prior to construction. Also reference as-built drawings. See appendix B contract documents.
 2. Remove all existing concrete launch ramp planks and timber sills.
 3. Salvage existing concrete planks for reuse as sediment control barrier. Select planks of the best condition for reuse. Place existing planks for sediment control barrier along lower 80 feet of ramp on the north side as generally noted or as directed by the Engineer. See Specs & Sheet 4.



Detail
Existing Plank Assembly



Section
Existing Ramp

DO NOT SCALE FROM THESE DRAWINGS USE DIMENSIONS

DESIGNED BY: K. Miller

CHECKED BY: K. Miller

DRAWN BY: T. Mores

PATH: Q:\Pow\68735\MF\Planset\003-Plan & Profile.dwg

PLOT: PSPACE 1=1

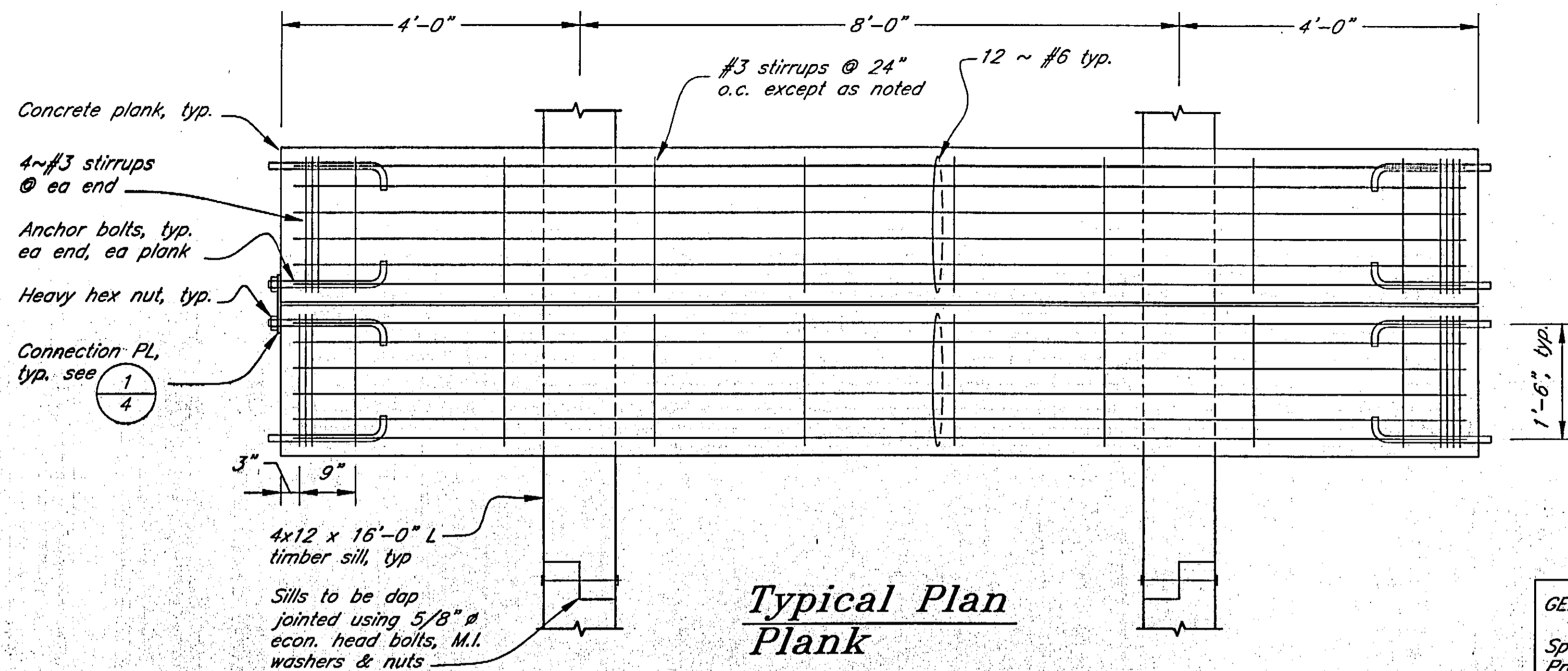
10/13/03

STATE OF ALASKA
DEPARTMENT OF TRANSPORTATION
& PUBLIC FACILITIES
STATEWIDE DESIGN & ENGINEERING SERVICES DIVISION

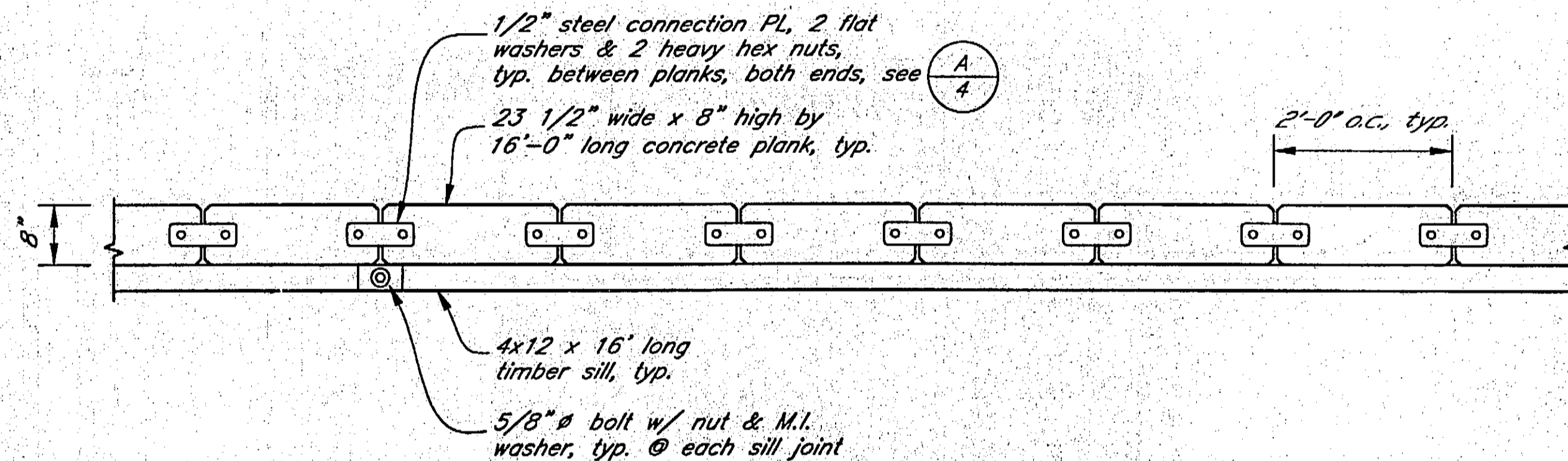
**Hollis Boat Launch Ramp
Replacement
Project 68735**

**Plan and Profile &
Existing Conditions**

REVISIONS		PROJECT DESIGNATION	YEAR	SHEET NO.	TOTAL SHEETS
NO.	DATE				
		68735	2003	3	4



Typical Plan Plank



Typical Detail Plank Assembly

GENERAL NOTES & SPECIFICATIONS

Specifications: Per contract documents for Project No. 68735

Materials

Precast concrete launch ramp planks:
 Concrete: Class A-A
 Reinforcement: Grade 60 (galvanized)

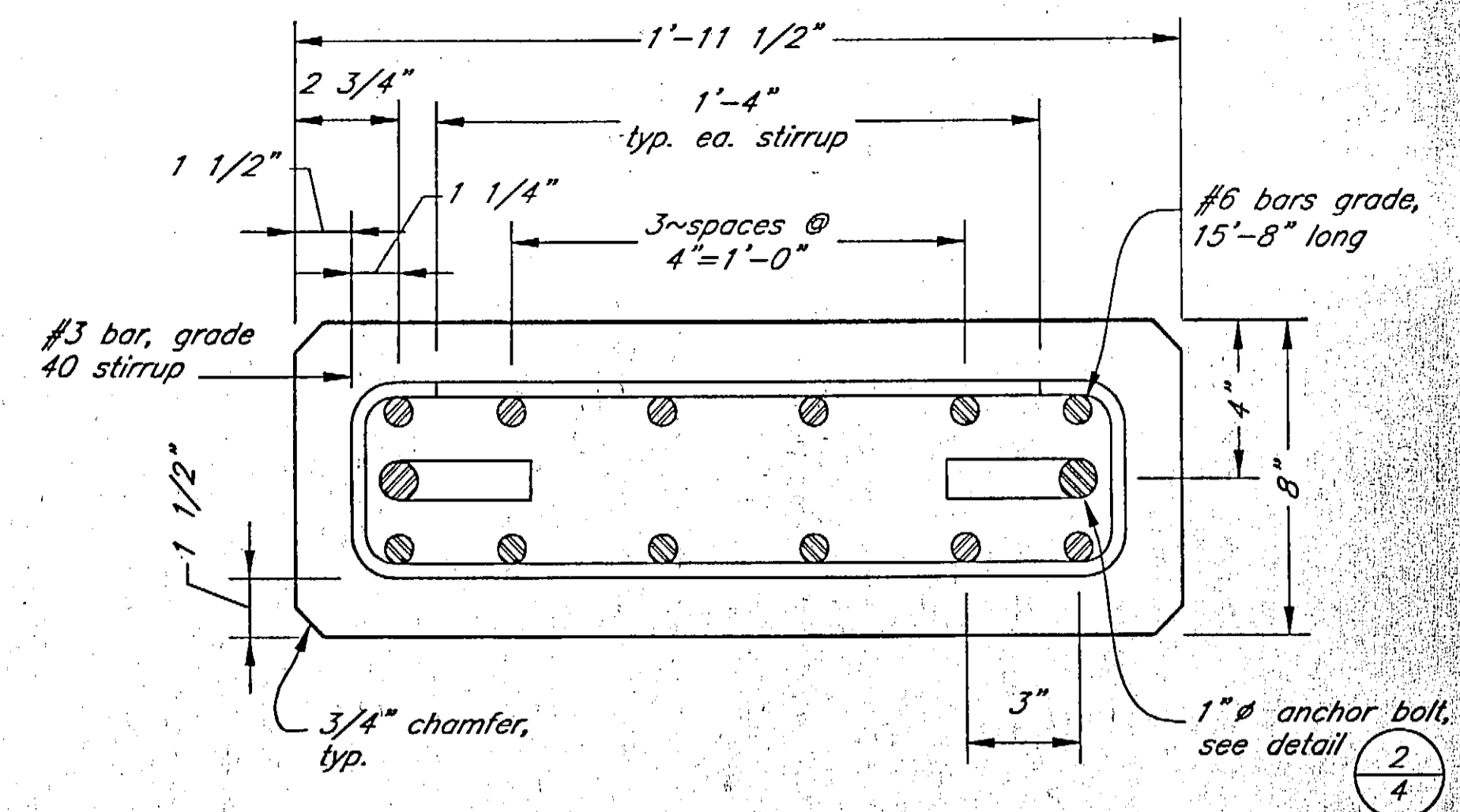
Steel Plates & Bars: ASTM A36

Hardware: ASTM A325 for steel connections
 ASTM A307 for timber connections

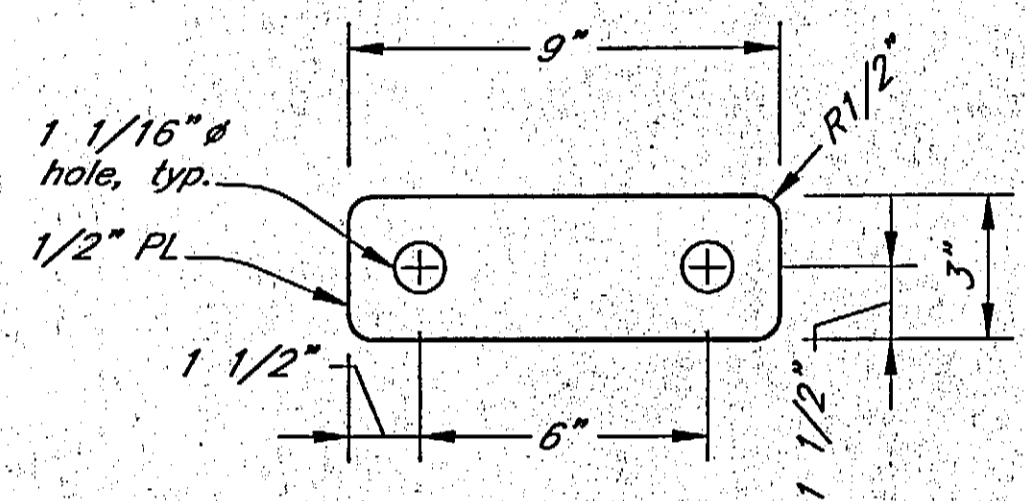
All steel plates, hardware and concrete reinforcement shall be hot-dip galvanized in accordance with ASTM A123 and A153.

Timber:
 Douglas Fir, No. 1 grade or better, S4S. All timber shall be pressure treated after fabrication with copper naphthenate, 0.06 pcf net retention, per AWPA C2-00

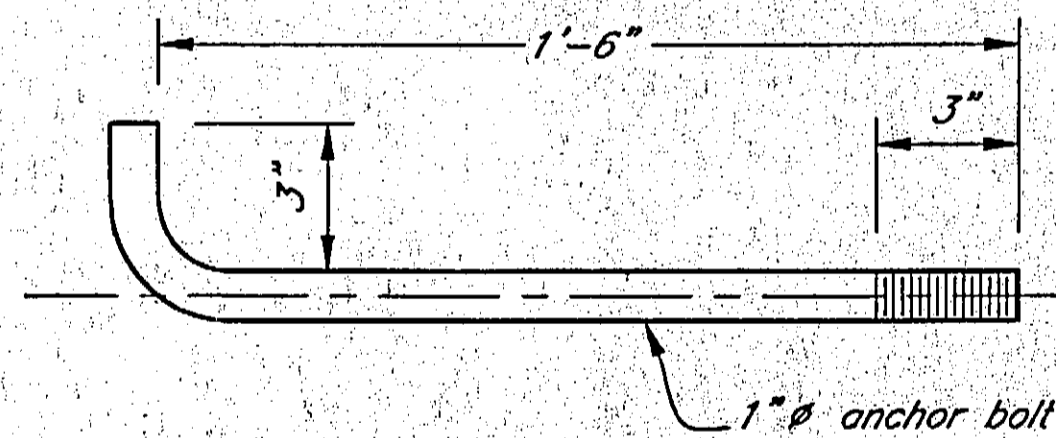
Aggregates and Rock Materials:
 As noted on the plans and per specifications.



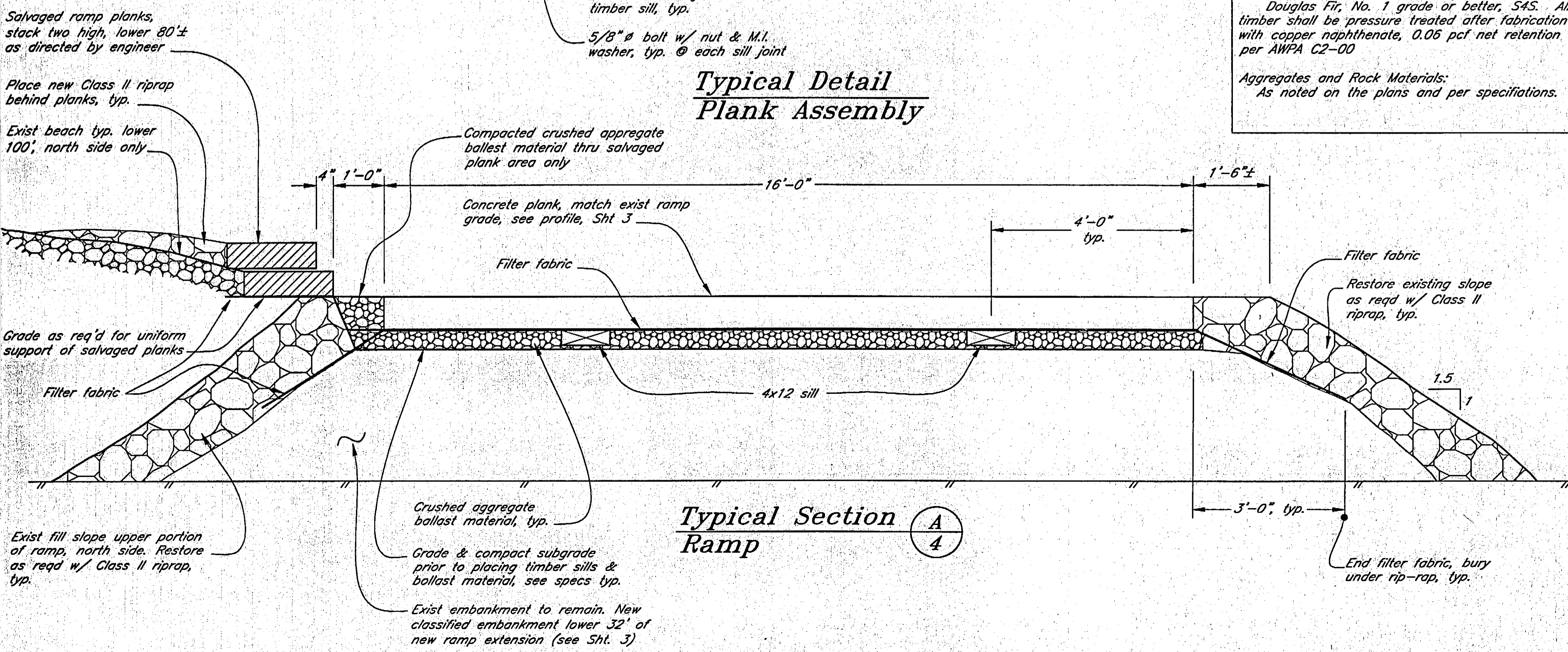
Section A-A Concrete Plank



Detail 1-4 Connection Plate



Detail 2-4 Anchor Bolt



Typical Section A-A Ramp

DO NOT SCALE FROM THESE DRAWINGS USE DIMENSIONS

DESIGNED BY: K. Miller

CHECKED BY: K. Miller

DRAWN BY: T. Mores

10/13/03

STATE OF ALASKA
 DEPARTMENT OF TRANSPORTATION
 & PUBLIC FACILITIES
 STATEWIDE DESIGN & ENGINEERING SERVICES DIVISION

Hollis Boat Launch Ramp
 Replacement
 Project 68735

**New Launch Ramp
 Details**

PATH: Q:\Paw\68735\MF\PlanSet\004-Launch Ramp Section Details.dwg
 PLOT: PSPACE 1=1
 TAB: DETAIL

REVISIONS			PROJECT DESIGNATION	YEAR	SHEET NO.	TOTAL SHEETS
NO.	DATE	DESCRIPTION				
			68735	2003	4	4