

GENERAL NOTES:

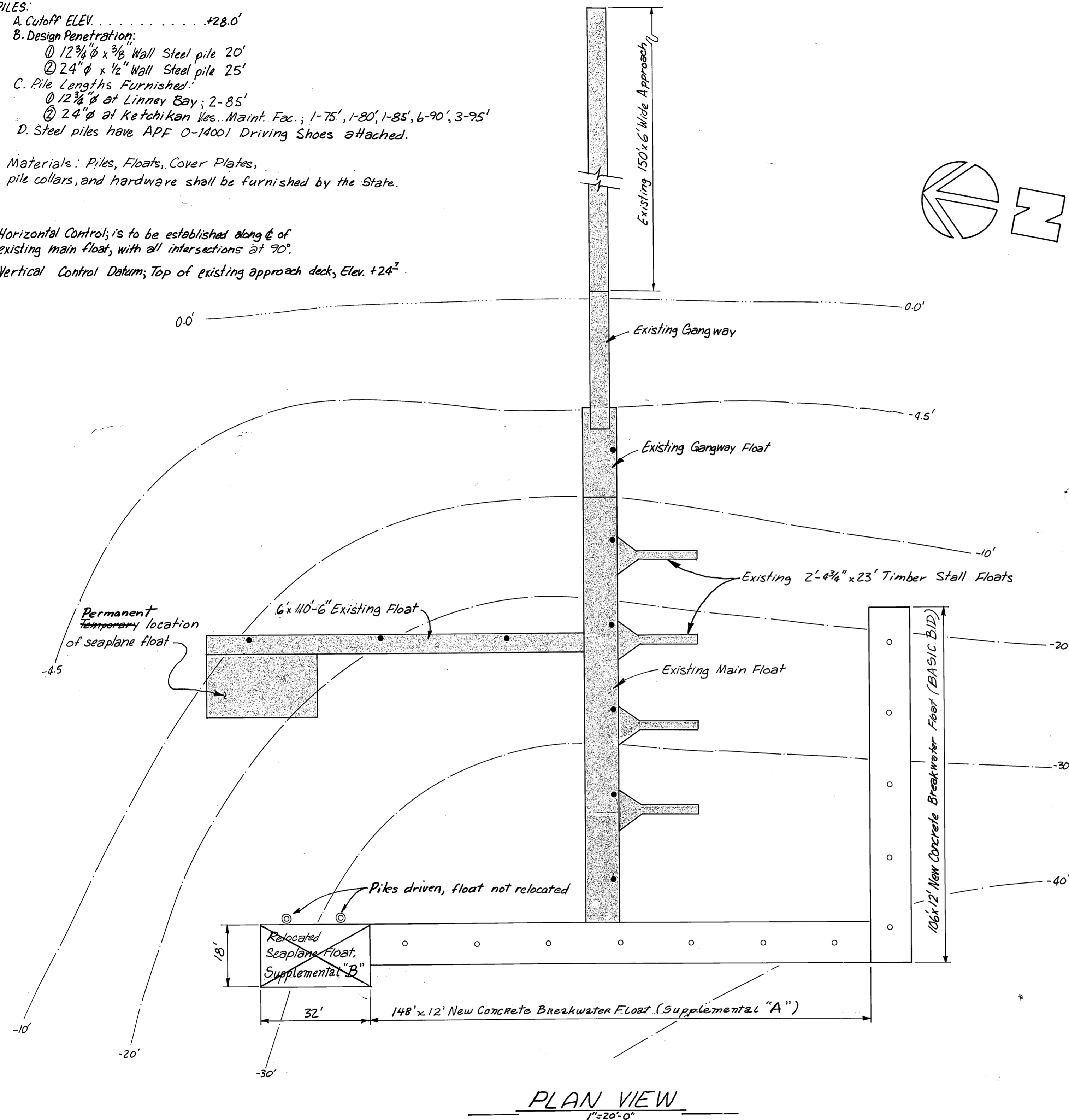
1. PILES:

- A. Cutoff ELEV. +28.0'
- B. Design Penetration:
 - ① 12 3/4" ϕ x 3/8" Wall Steel pile 20'
 - ② 24" ϕ x 1/2" Wall Steel pile 25'
- C. Pile Lengths Furnished:
 - ① 12 3/4" ϕ at Linney Bay; 2-85'
 - ② 24" ϕ at Ketchikan Ves. Maint. Fac.; 1-75', 1-80', 1-85', 6-90', 3-95'
- D. Steel piles have APF 0-14001 Driving Shoes attached.

2. Materials: Piles, Floats, Cover Plates, pile collars, and hardware shall be furnished by the State.

3. Horizontal Control: is to be established along ϕ of existing main float, with all intersections at 90°.

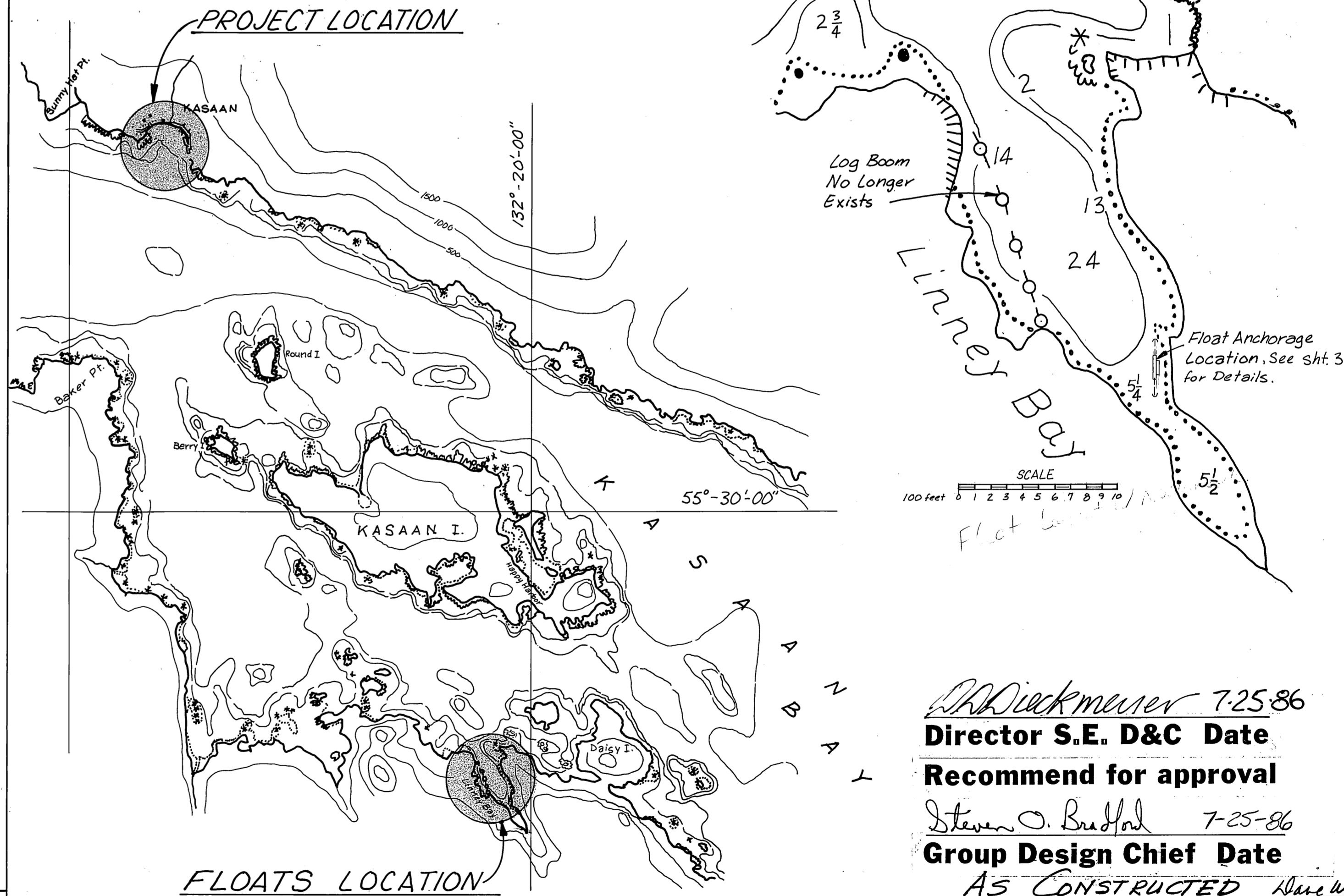
4. Vertical Control Datum: Top of existing approach deck, Elev. +24'±



NEW HARBOR FACILITY

KEY TO PILE AND FLOAT SYMBOLS

●	Existing Piles to remain (2)
⊙	New 12 3/4" ϕ x 3/8" wall steel piles to be installed (2) Supplemental "B"
○	New 24" ϕ x 1/2" wall steel piles to be installed (12 total) 5 in Basic Bid, 7 in Supplemental "A"
□	Floats to be installed
▨	Existing Structures



FLOATS LOCATION

(See Details Above Right)

CONTRACTOR: DAWSON CONST. CO.
Project Engr: Dave Ward

Work started: OCT 8, 1986
" finished: March 23, 1987

Taken From NOAA chart #17426
"KASSAN BAY PRINCE OF WALES ISLAND"

KASSAN BREAKWATER

FLOAT "PILES"

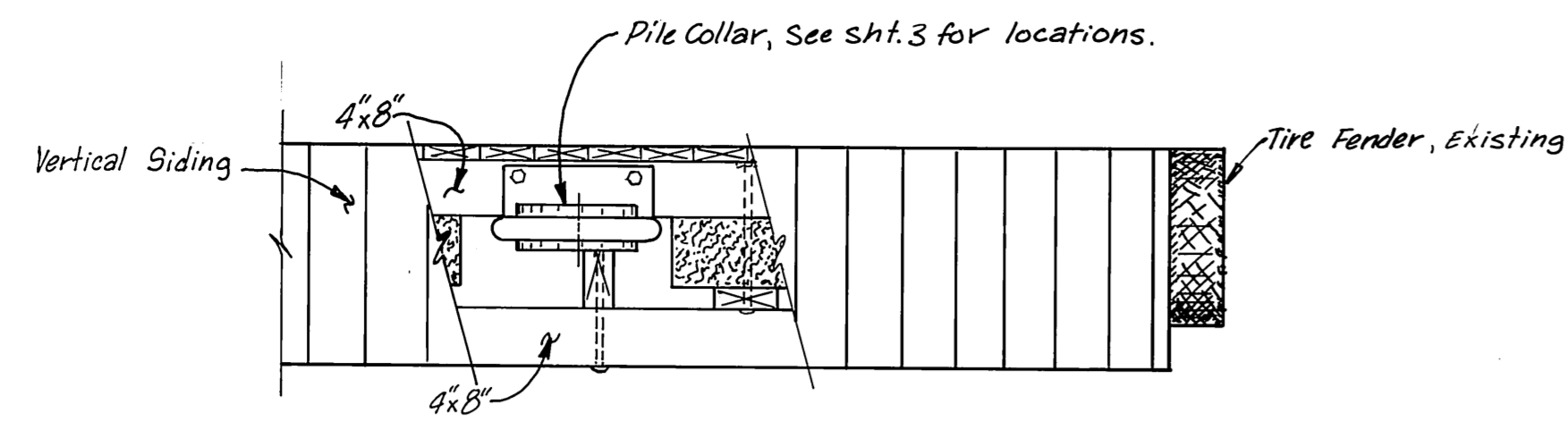
PROJECT NO. 67639

REBID

DR. Dickmeier 7-25-86
Director S.E. D&C Date
Recommend for approval
Steven O. Bradford 7-25-86
Group Design Chief Date

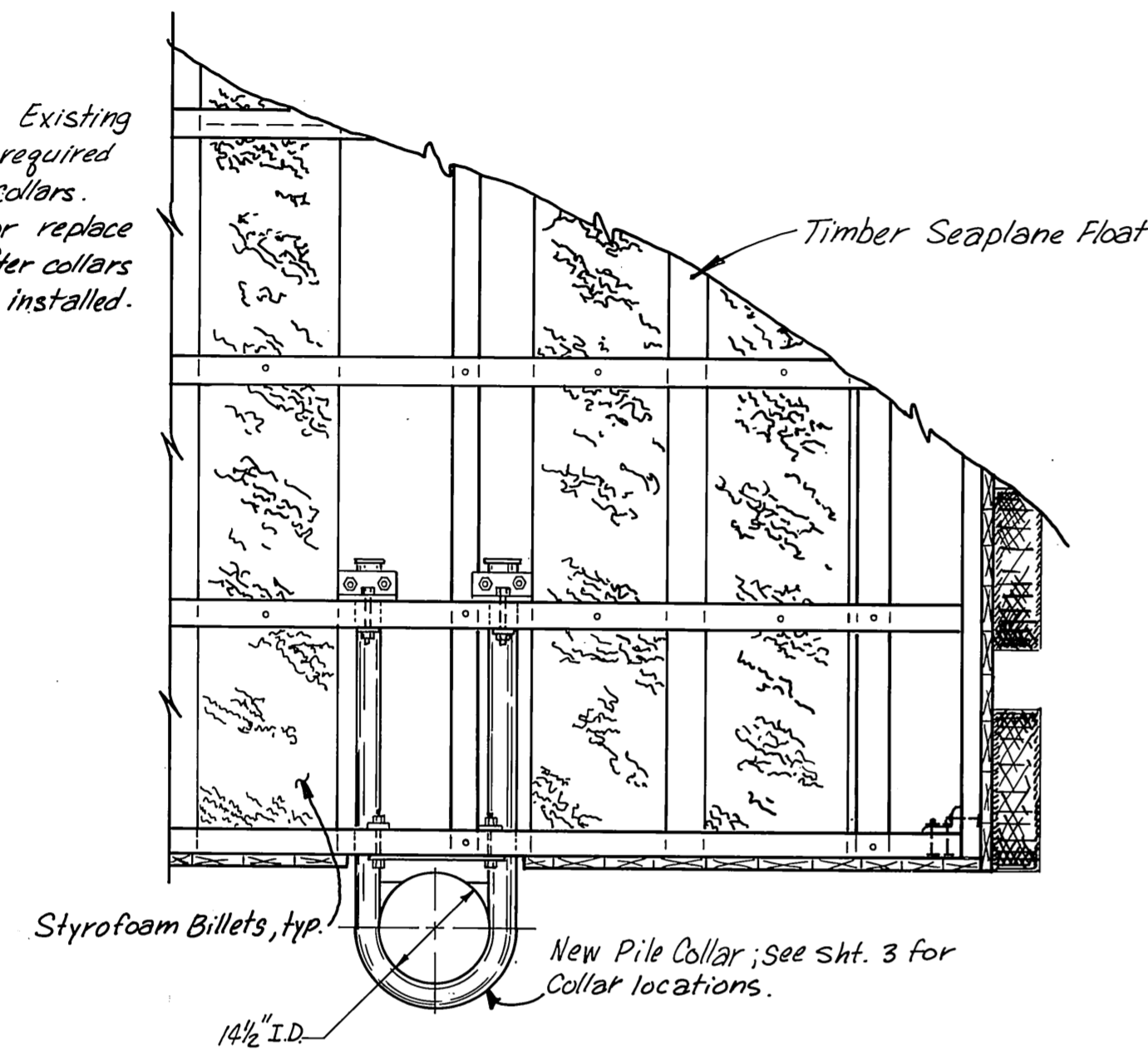
AS CONSTRUCTED *Steve Ward*

STAMP				DO NOT SCALE THIS DRAWING - USE DIMENSIONS 4-7-87			
				STATE OF ALASKA			
				DEPARTMENT OF TRANSPORTATION AND PUBLIC FACILITIES			
KASSAN		ALASKA		PROJECT LOCATION & SITE PLAN			
DESIGNED <i>D</i>	CHECKED <i>JDB</i>	DRAWN <i>DJM</i>	DATE				
PROJECT NUMBER 67639		SHEET 1		OF 3			

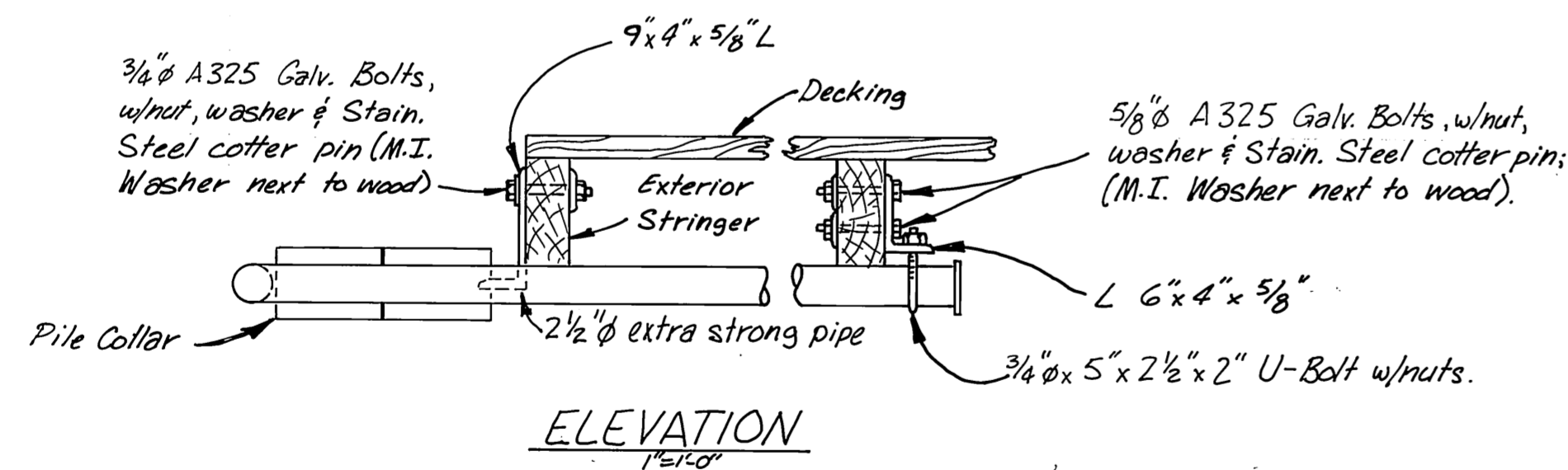


ELEVATION
1/2" = 1'-0"

Note: Remove Existing decking as required to install collars. Resecure or replace decking after collars have been installed.



PLAN VIEW
1/2" = 1'-0"



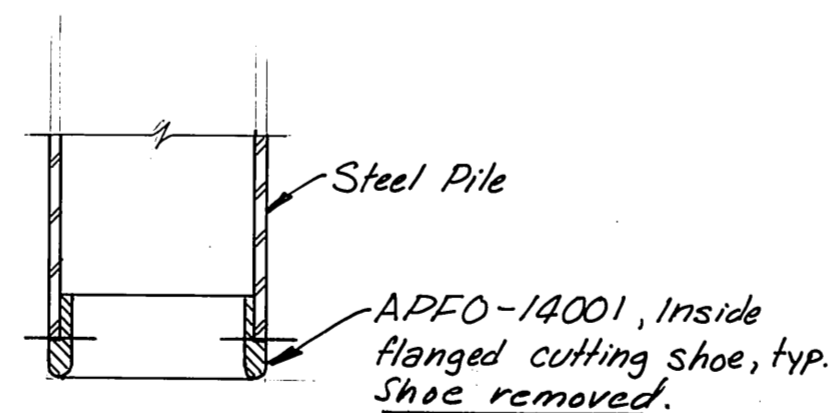
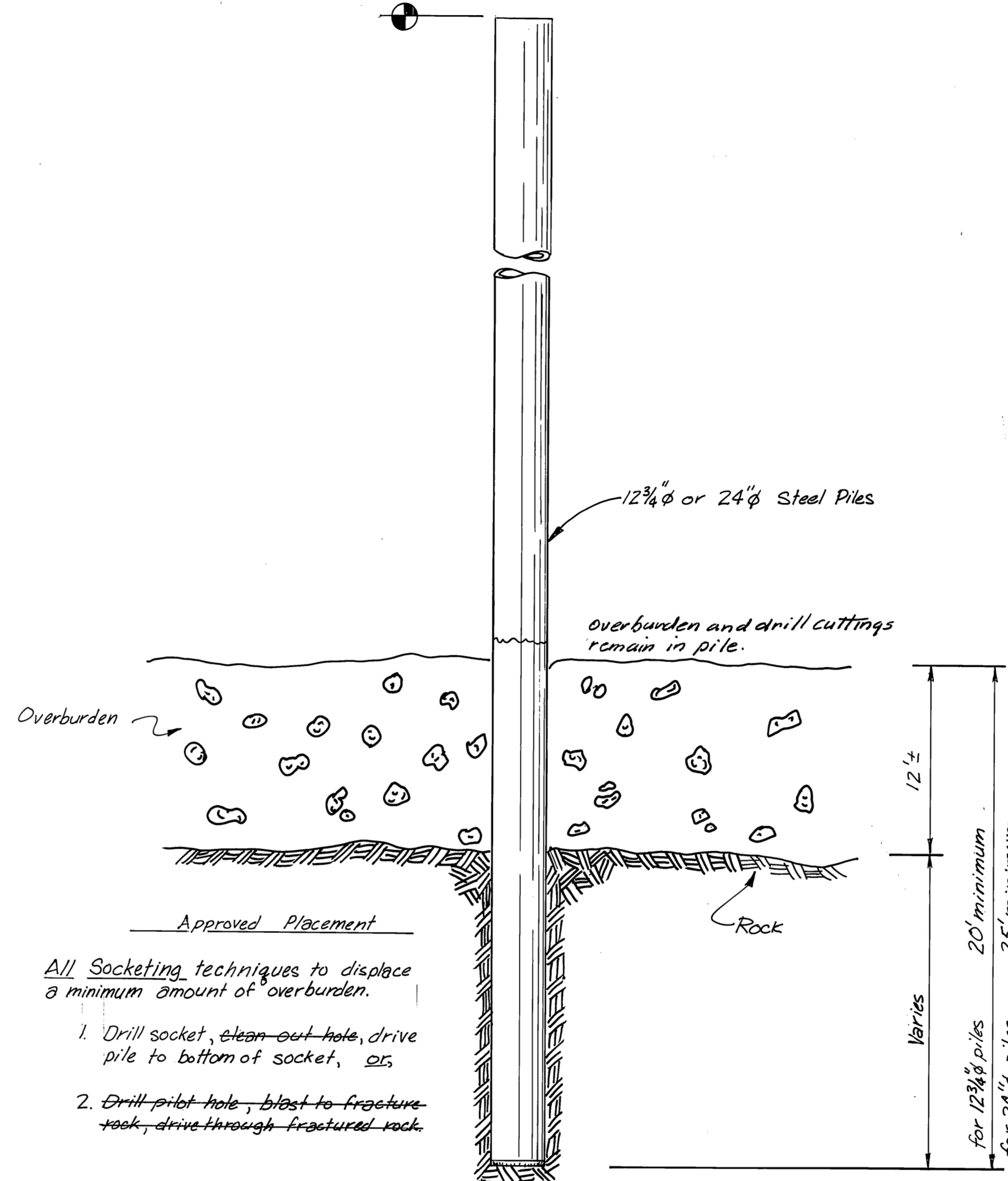
ELEVATION
1/2" = 1'-0"

PILE COLLAR ATTACHMENT DETAILS

Note: Bolt holes to be drilled 1/16" over bolt size. Pile collars and hardware to be furnished by the State.

Pile collars may be alternately set on top of stringers with decking notched around pile collar legs. Modify U-Bolt connection if req'd.

PILE CUTOFF ELEV. +28[±]



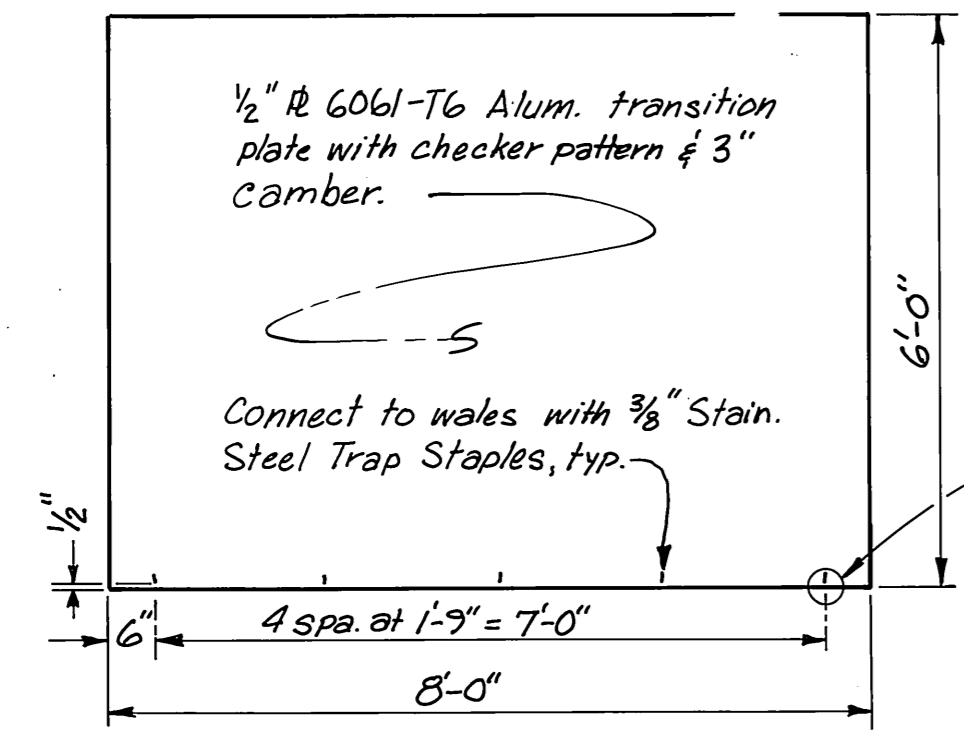
SECTION VIEW OF PILE & CUTTING SHOE

STEEL PILE SOCKET DETAIL

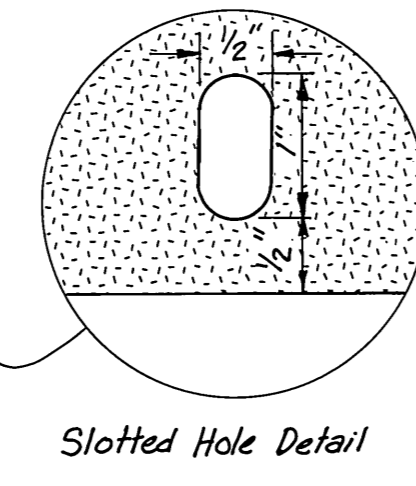
N.T.S.

As Constructed: DCW 4-7-87

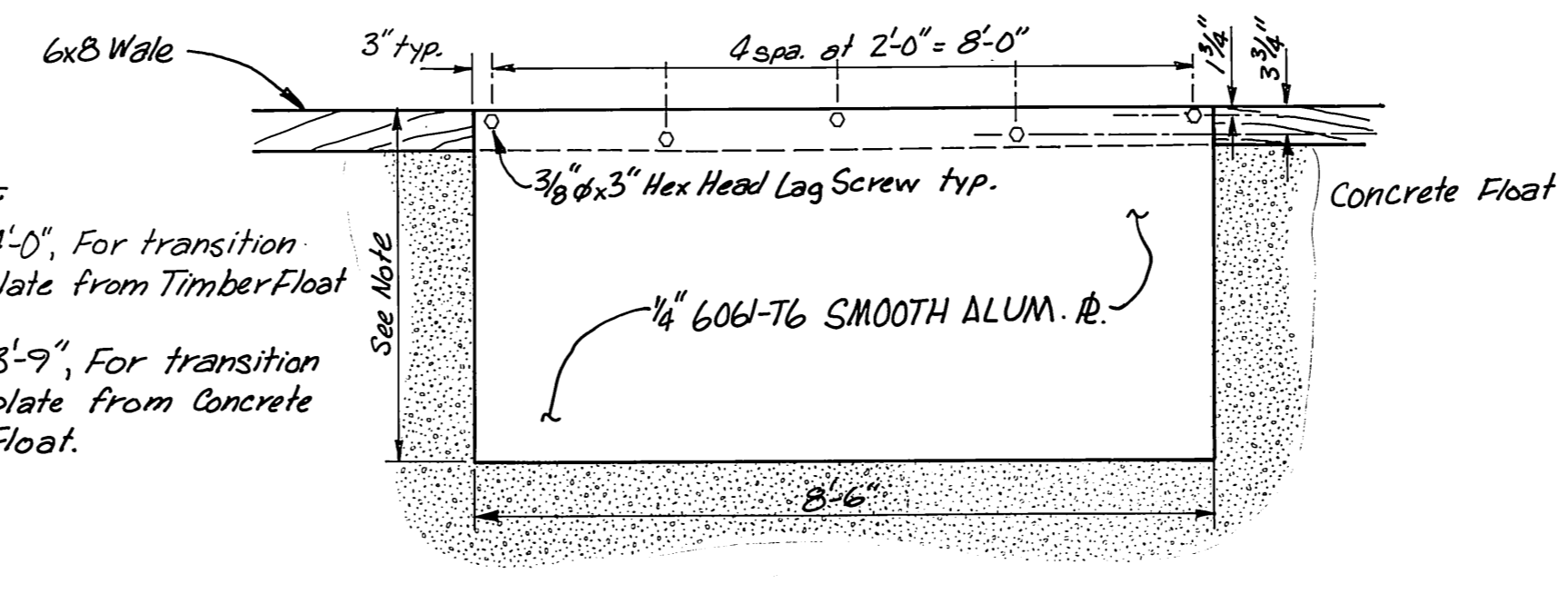
STAMP		DO NOT SCALE THIS DRAWING - USE DIMENSIONS	
		STATE OF ALASKA	
		DEPARTMENT OF TRANSPORTATION AND PUBLIC FACILITIES	
		KASAAN	ALASKA
		SEAPLANE FLOAT PILE COLLAR DETAIL & PILE SOCKETING DETAIL	
DESIGNED	CHECKED <u>JDB</u>	DRAWN <u>DJM</u>	DATE <u>10-85</u>
PROJECT NUMBER	<u>67639</u>	SHEET	<u>2</u> OF <u>3</u>



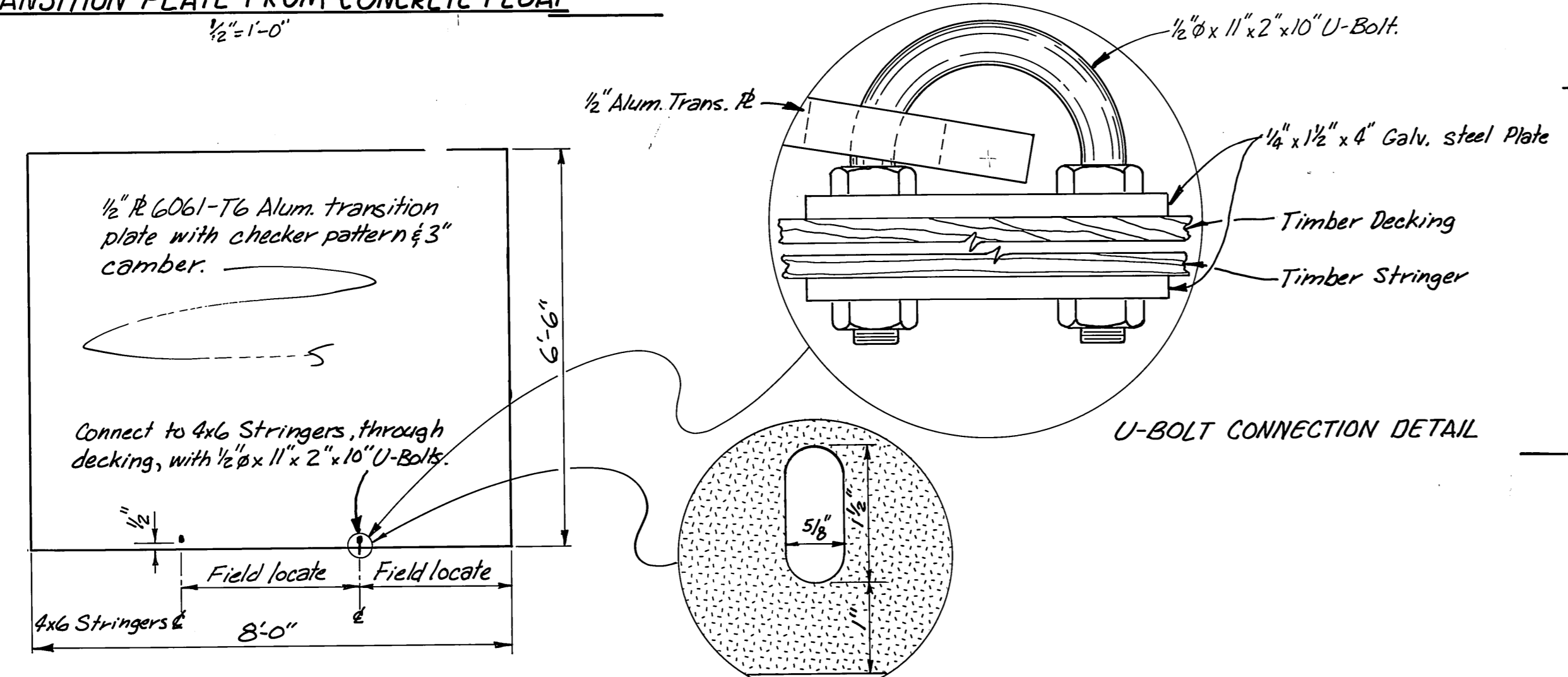
TRANSITION PLATE FROM CONCRETE FLOAT
1/2" = 1'-0"



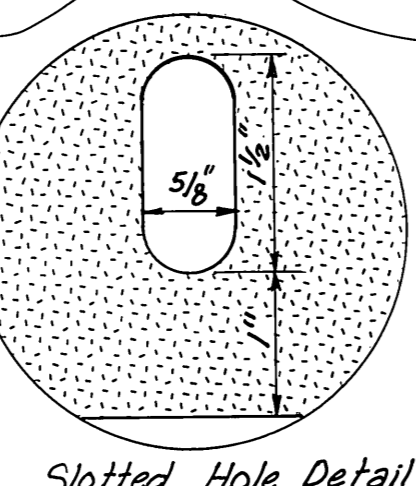
NOTE
1. 4'-0", For transition plate from Timber Float
2. 3'-9", For transition plate from Concrete Float.



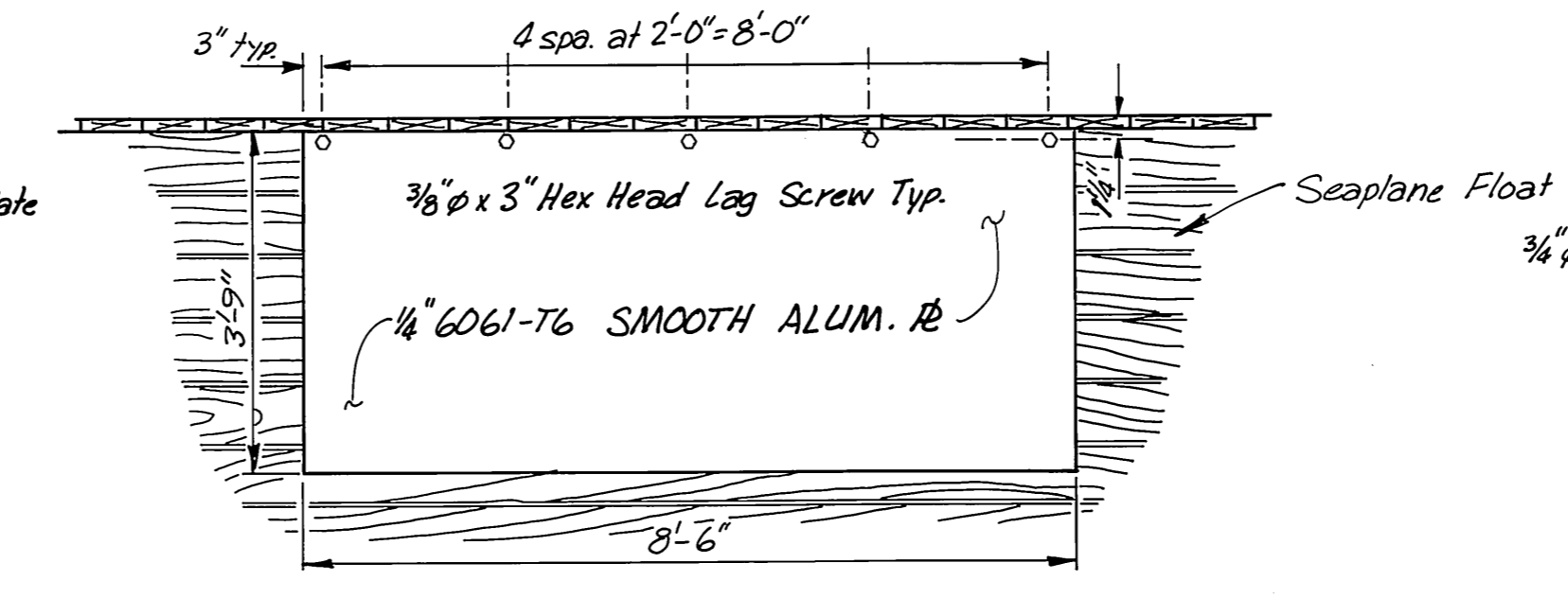
TRANSITION PLATE PAD ON CONCRETE FLOATS
1/2" = 1'-0"



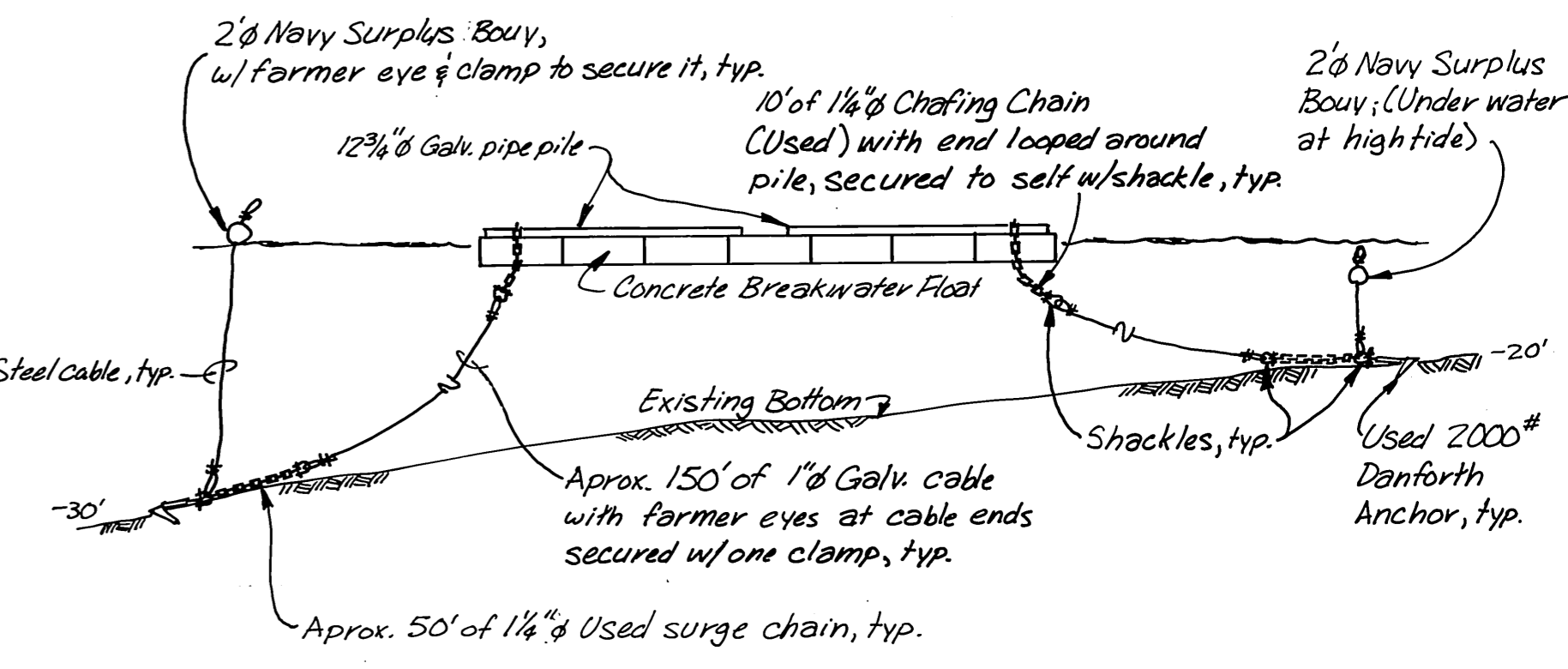
TRANSITION PLATE FROM TIMBER FLOAT
1/2" = 1'-0"



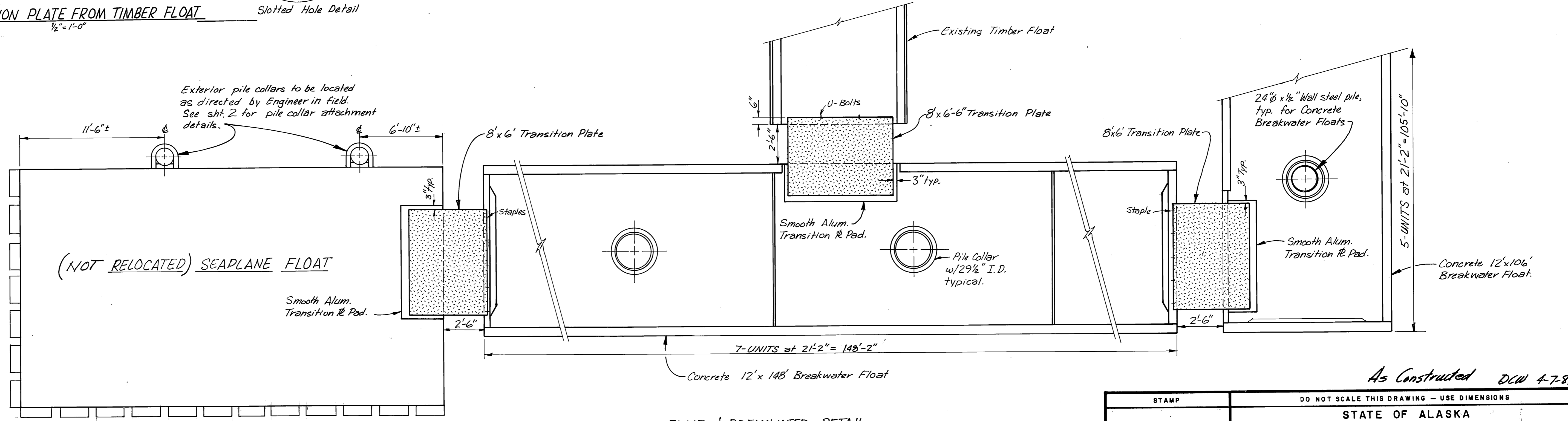
U-BOLT CONNECTION DETAIL



TRANSITION PLATE PAD ON SEAPLANE FLOAT
1/2" = 1'-0"



TEMPORARY MOORING PROFILE
N.T.S.



FLOAT & BREAKWATER DETAIL
1/4" = 1'-0"

Note: Transition Plates & Plate Pads to be installed this project. All materials to be furnished by the State of Alaska. Contractor to field drill timber float transition plate, see detail above.

As Constructed DCW 4-7-87

STAMP		DO NOT SCALE THIS DRAWING - USE DIMENSIONS	
STATE OF ALASKA			
DEPARTMENT OF TRANSPORTATION AND PUBLIC FACILITIES			
KASAAN		ALASKA	
FLOAT & BREAKWATER DETAILS, AND ANCHORAGE DETAILS			
DESIGNED	CHECKED	DRAWN	DATE
	JOB	DJM	10-85
PROJECT NUMBER	SHEET		OF
67639	3		3

