

STATE OF ALASKA

DEPARTMENT OF PUBLIC WORKS

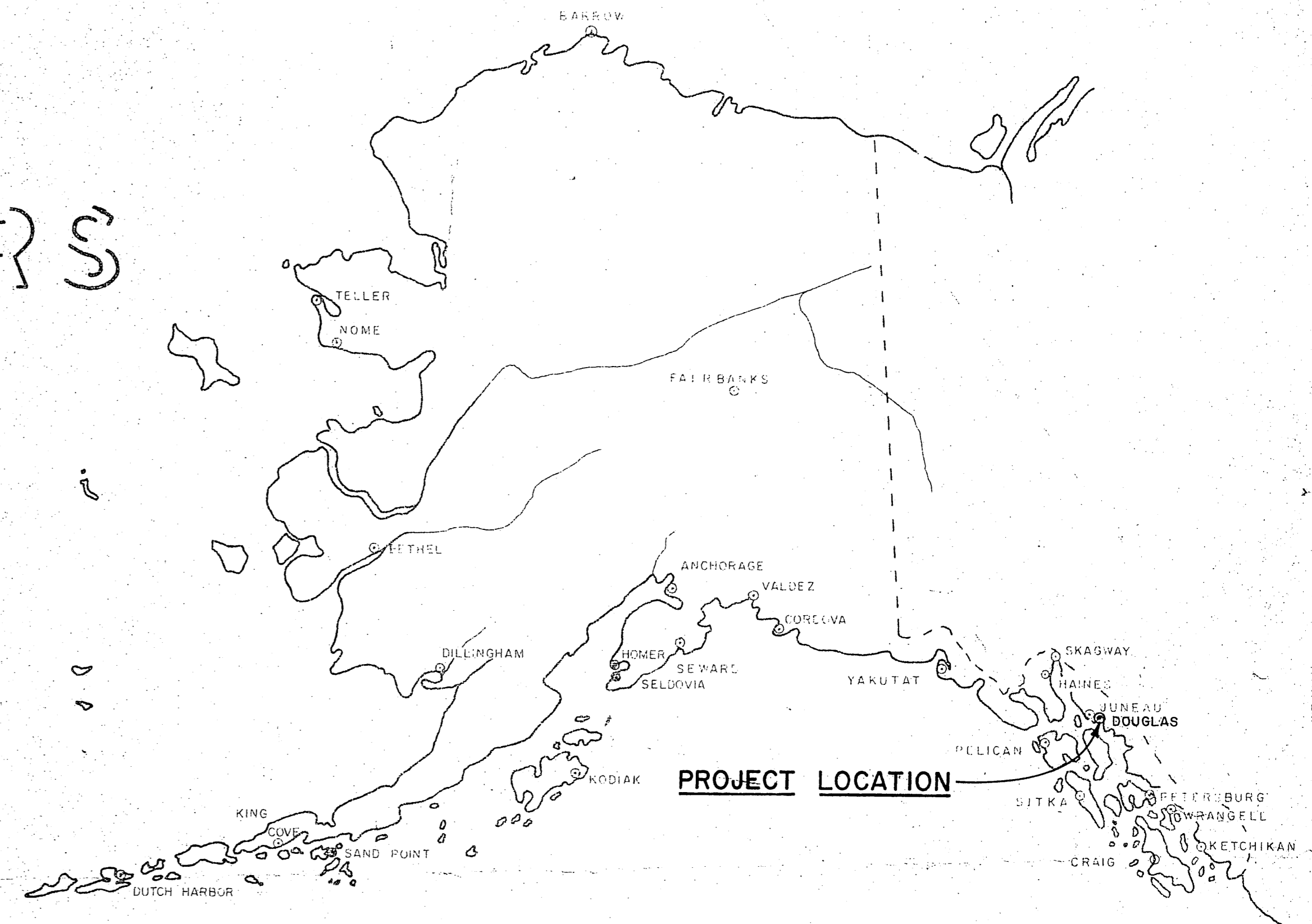
DIVISION OF WATER & HARBORS

DOUGLAS BOAT HARBOR FACILITIES

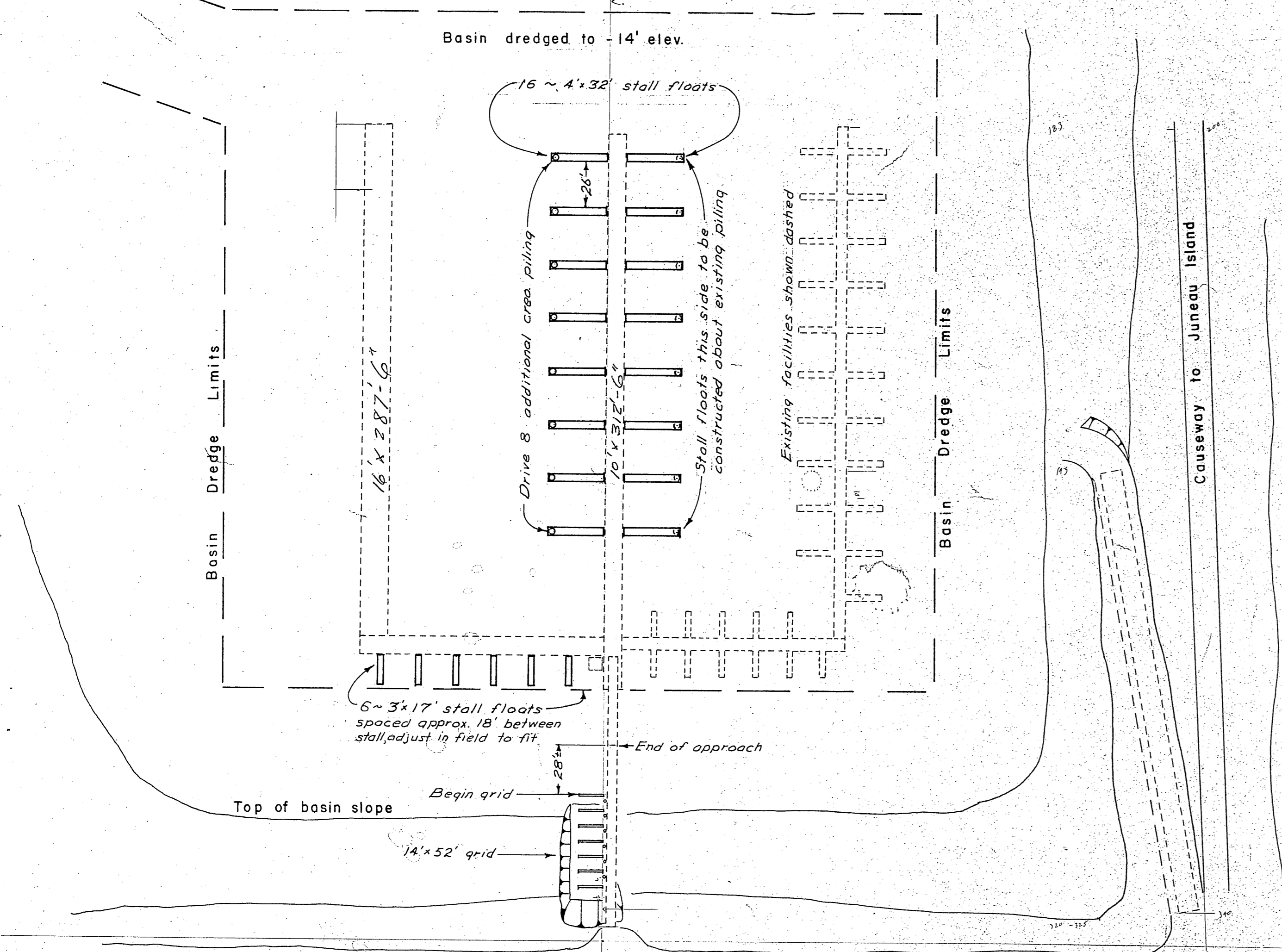
PHASE NO. 2

PROJECT NO. W-66179

SCALE 1" = 50'



DOUGLAS SMALL BOAT HARBOR



NOTES
 Float piling to be Class A
 Grid fender piling to be Class A
 Grid bearing piling to be Class B
 All piling to be 12 lb. creosote retention.
 Stall piling cut-off to conform to existing piling cut-off - approximately 28' MLLW.
 Float piling to be driven to 12' penetration and grid piling to be driven to 15' penetration or refusal as directed by engineer.

WORK SUMMARY

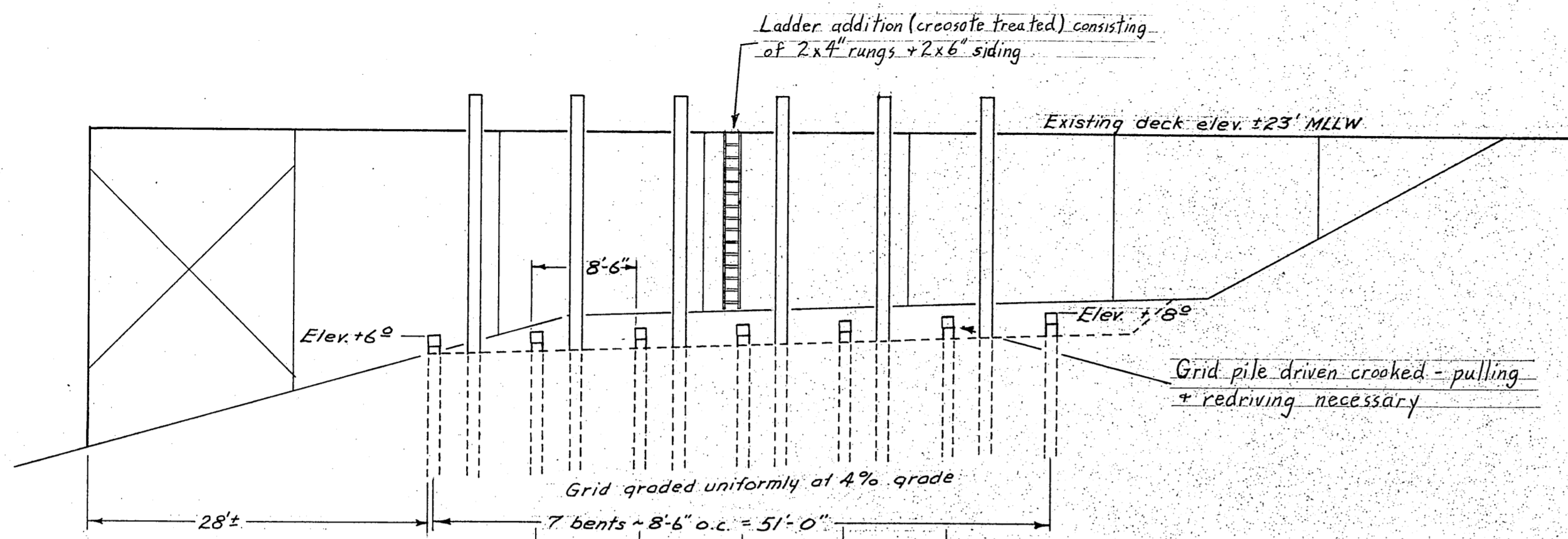
Major units of this project shall consist of furnishing and driving 8 stall piling (432 lin. ft.), the construction and installation of 16-4'x32' stall floats and 6-3'x17' stall floats (2354 sq. ft.), the construction of a 14' x 52' gridiron and associated work, and furnishing and installing 92 timber sill members on existing floats.

INDEX TO SHEETS

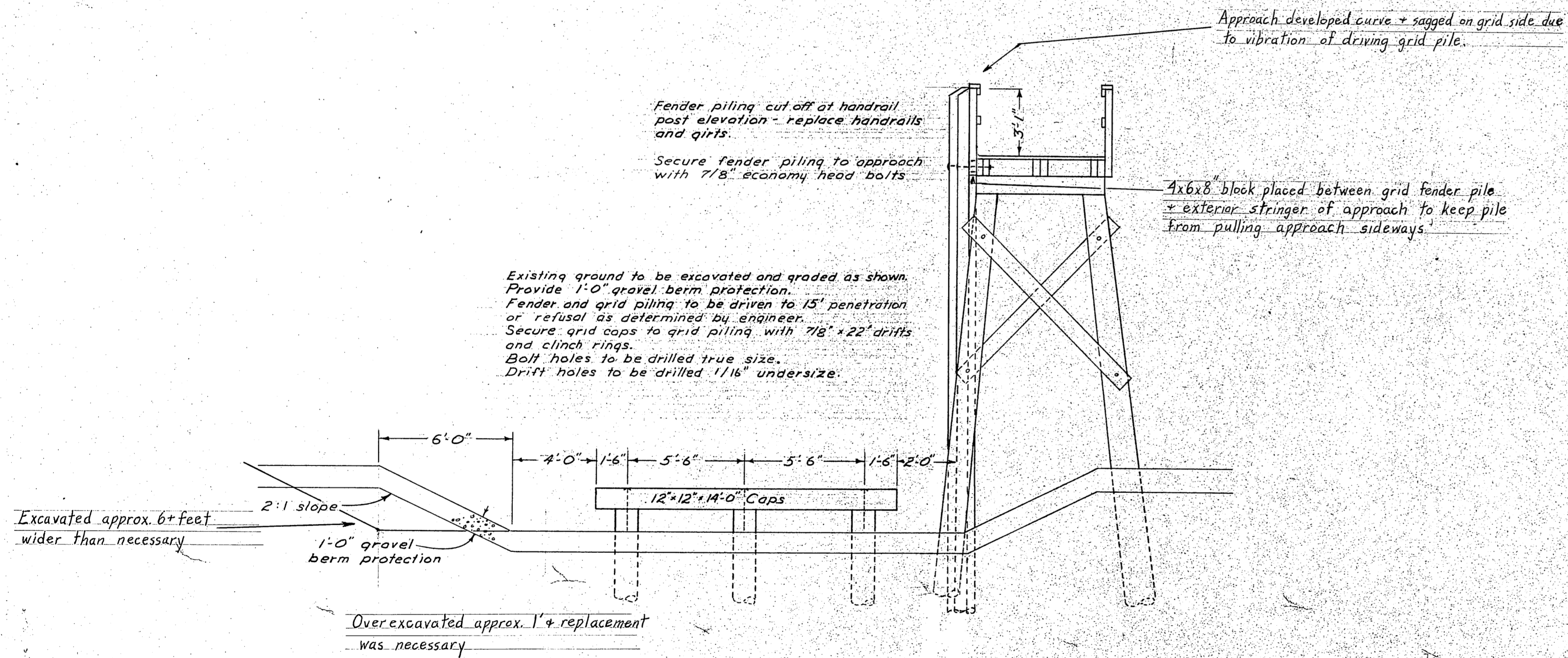
| | |
|---------------------------|-------------|
| TITLE & PLAN LAYOUT | SHEET NO. 1 |
| GRID CONSTRUCTION DETAILS | SHEET NO. 2 |
| TYPICAL STALL FLOATS | SHEET NO. 3 |

DATE Oct. 8, 1965

APPROVED *Darryl A. Kaldor*
 Acting COMMISSIONER

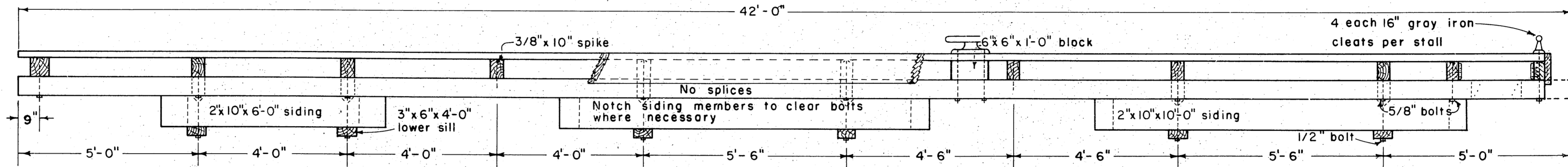
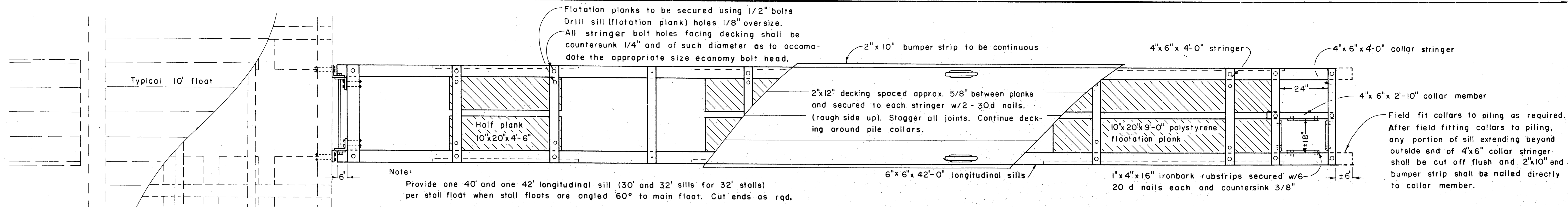


GRID PROFILE
Scale 1" to 10'-0"



CONSTRUCTION DETAILS
Scale 1" to 4'-0"

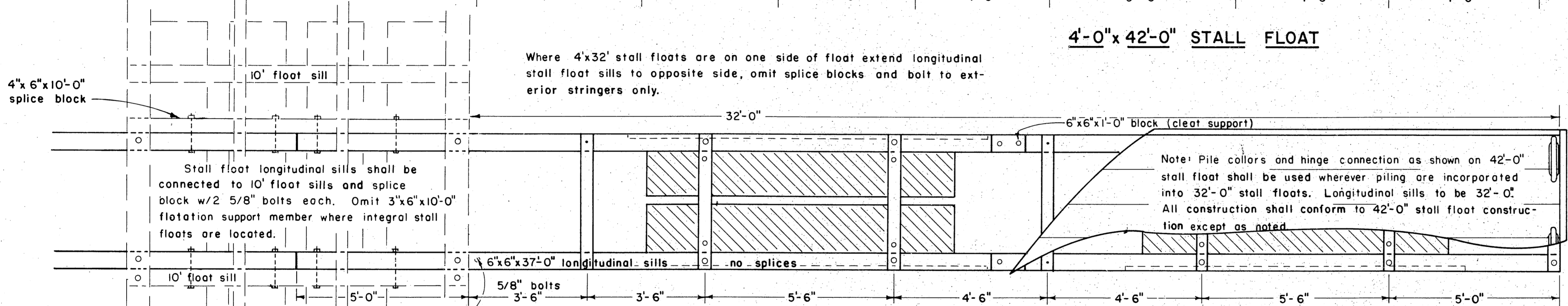
| NO. | DATE | REVISION | BY |
|--|------|---|----|
| STATE OF ALASKA DEPARTMENT OF PUBLIC WORKS DIVISION OF WATER AND HARBORS | | | |
| GRID CONSTRUCTION DETAILS | | | |
| SCALE <i>As shown</i> | | APPROVED <i>DS</i> | |
| DATE <i>Oct 1965</i> | | SURVEYED BY <i>DS</i> DRAWN BY <i>DS</i> CHECKED BY <i>DS</i> | |
| PROJ. NO. <i>W-66179</i> | | | |



4'-0" x 42'-0" STALL FLOAT

Where 4'x32' stall floats are on one side of float extend longitudinal stall float sills to opposite side, omit splice blocks and bolt to exterior stringers only.

TYPICAL 4'-0" FLOAT SECTION

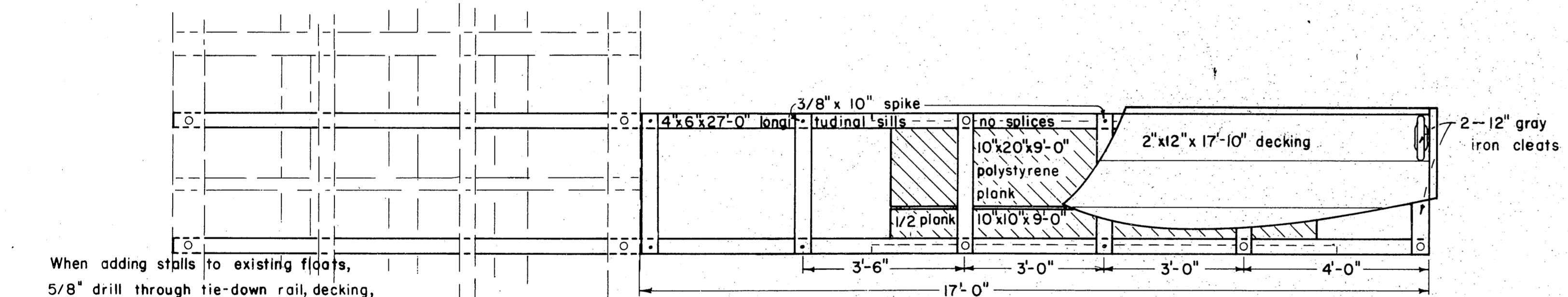


4'-0" x 32'-0" STALL FLOAT

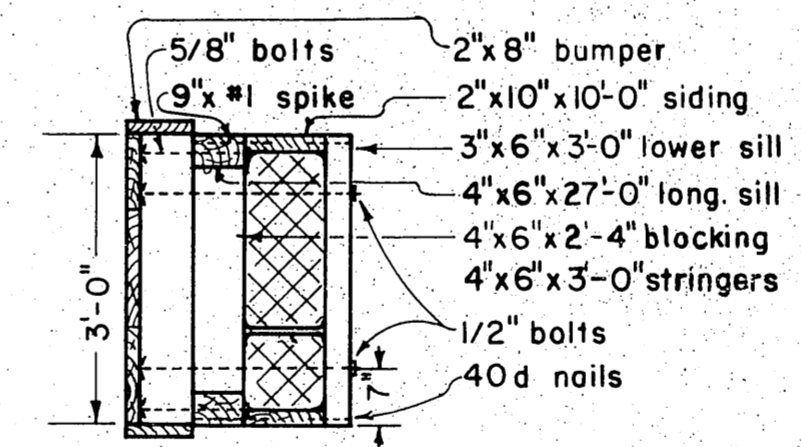
Stall float longitudinal sills shall be connected to 10' float sills and splice block w/2 5/8" bolts each. Omit 3"x6"x10'-0" flotation support member where integral stall floats are located.

NOTES

All hardware to be hot dip galvanized. A malleable washer shall be placed between all nut and wood surfaces. All bolts to be of the economy headed type. Bolt holes to be drilled true size except sill bolt holes for flotation planks 1/8" oversized. Drift holes to be drilled 1/8" undersized. All drill holes shall be treated with hot creosote oil. All pressure treated creosote material shall be cut to size prior to treatment. All bolts to be 5/8" except flotation plank bolts. Omit tie down rails at stall floats, add blocking and bolt tie down rail to exterior stringer. All bolt holes to be predrilled except holes in splice block (integral stall float installation). Field drill all drift holes. 5/8" bolt holes countersunk 1/4" deep x 2 1/8" diameter. 1/2" bolt holes countersunk 1/4" deep x 1 1/4" diameter.



3'-0" x 17'-0" STALL FLOAT



TYPICAL 3'-0" FLOAT SECTION

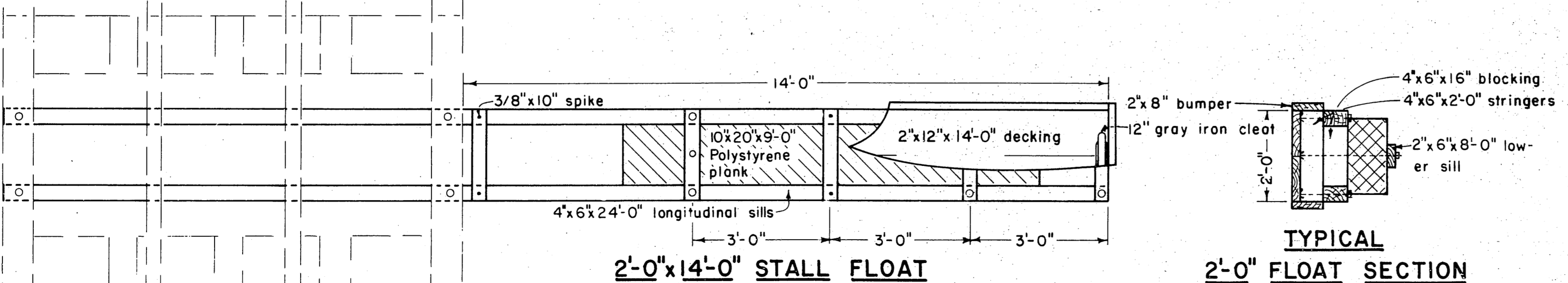
When adding stalls to existing floats, 5/8" drill through tie-down rail, decking, stringer and longitudinal sill. 5/8" bolt through sill, stringer and deck only. Nut up.

* 2" Rough by 10 1/2" Actual size for extruded polystyrene billets.
2" Rough by 10" Rough for molded polystyrene billets.

| MATERIALS | | |
|--------------------------------|--------------------|---------------------|
| ITEM | DRESSING | TREATMENT |
| PILING - CLASS "A" | | |
| 3' x 6" & 2' x 6" LOWER SILLS | Rough | 12 [#] Ret |
| 2' x 10' SIDING | 2" x 10 1/2" | " " |
| 4' x 6" STRINGERS | S-2-E | 8 [#] " |
| 4' x 6" COLLARS | " | " " |
| 4' x 6" SPLICE BLOCKS | " | " " |
| 4' x 6" & 6' x 6" LONGITUDINAL | " | " " |
| STALL FLOAT SILLS. | | |
| 4' x 6" BLOCKING | " | " " |
| 2' x 10' BUMPERS | S-1-S-2-E or S-4-S | " " |
| 2' x 12' DECKING | S-1-S-2-E | " " |

REVISIONS MARCH 1965

1. Clarified pre-drilling note.
2. Add note omitting 3' x 6" x 10' sill member where integral stall floats are located.
3. Add 2 additional cleats per stall float.
4. Add note trimming longitudinal sills at pile collar.
5. Change pile collar end member from 6' x 6" to 4' x 6".
6. Changed 6' x 6" splice block to 4' x 6".



2'-0" x 14'-0" STALL FLOAT

TYPICAL 2'-0" FLOAT SECTION

NOTE: ALL 12[#] CREO. TREATMENT TO BE FULL CELL.
ALL 8[#] CREO. TREATMENT TO BE EMPTY CELL.
ALL TIMBER MATERIAL TO BE CONSTRUCTION GRADE DOUGLAS FIR.

STATE OF ALASKA
DEPARTMENT OF PUBLIC WORKS
DIVISION OF WATER AND HARBORS

TYPICAL STALL FLOATS
4'x42', 4'x32', 3'x17' and 2'x14'

SCALE 1/2" = 1'-0"
DATE MARCH 1965
PROJ. No. W-66183

APPROVED: CORT B. HOWARD
DIRECTOR

DESIGNED BY: DS
DRAWN BY: RB
CHECKED BY: DS