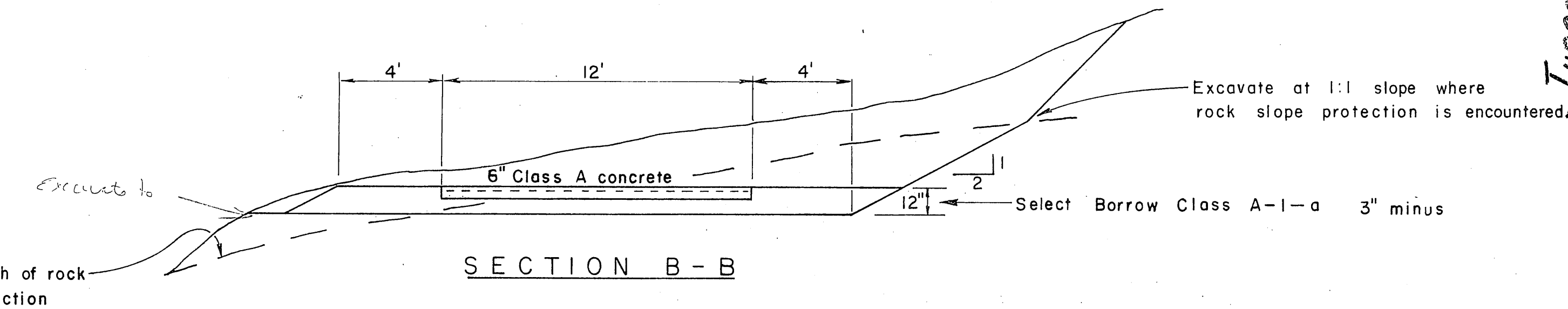
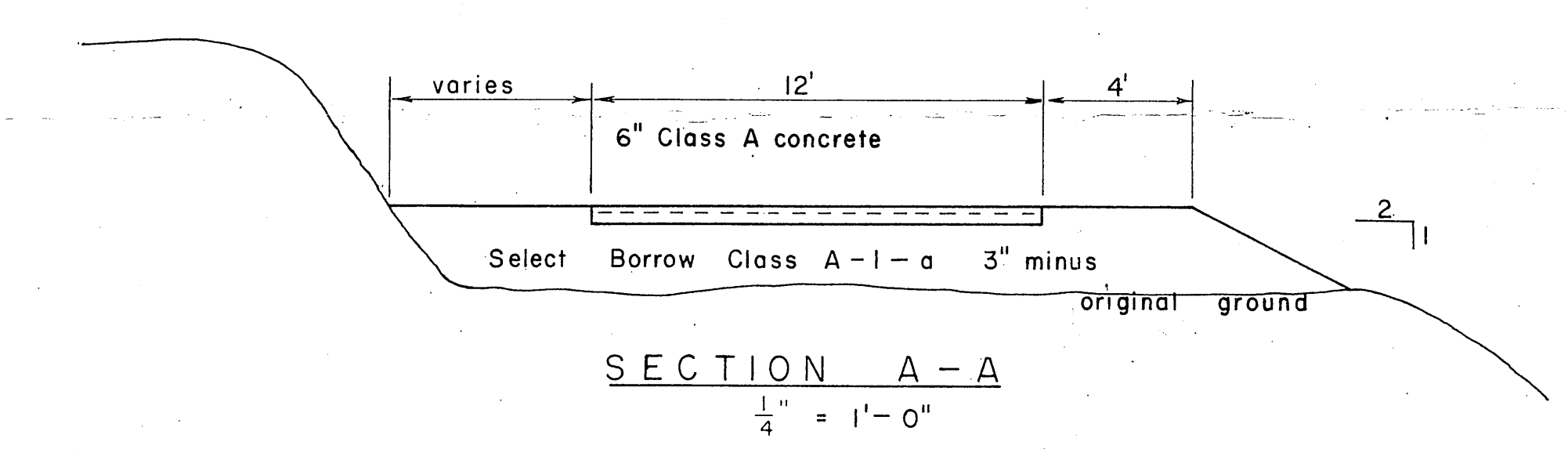


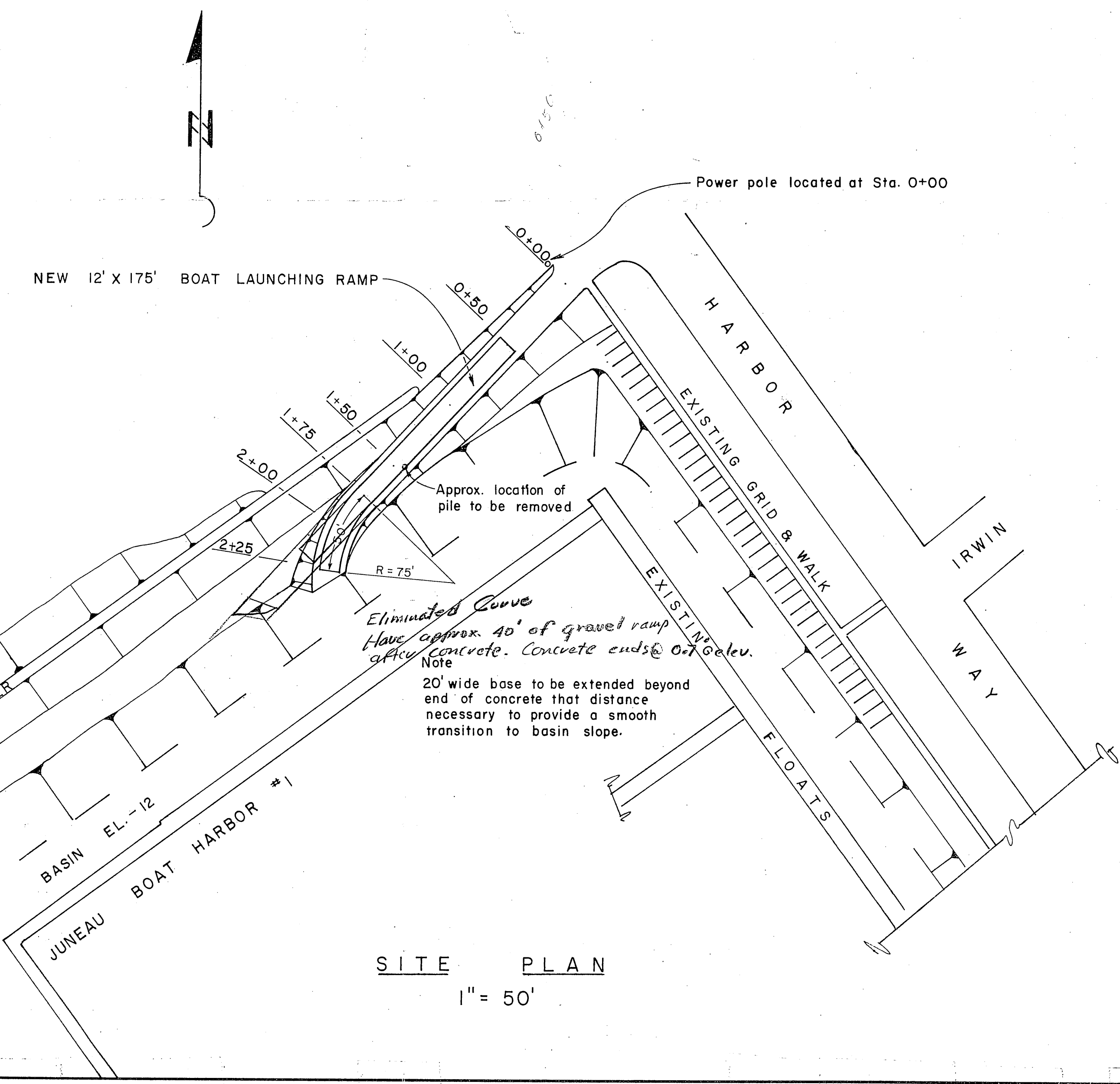
PROFILE
1" = 10'



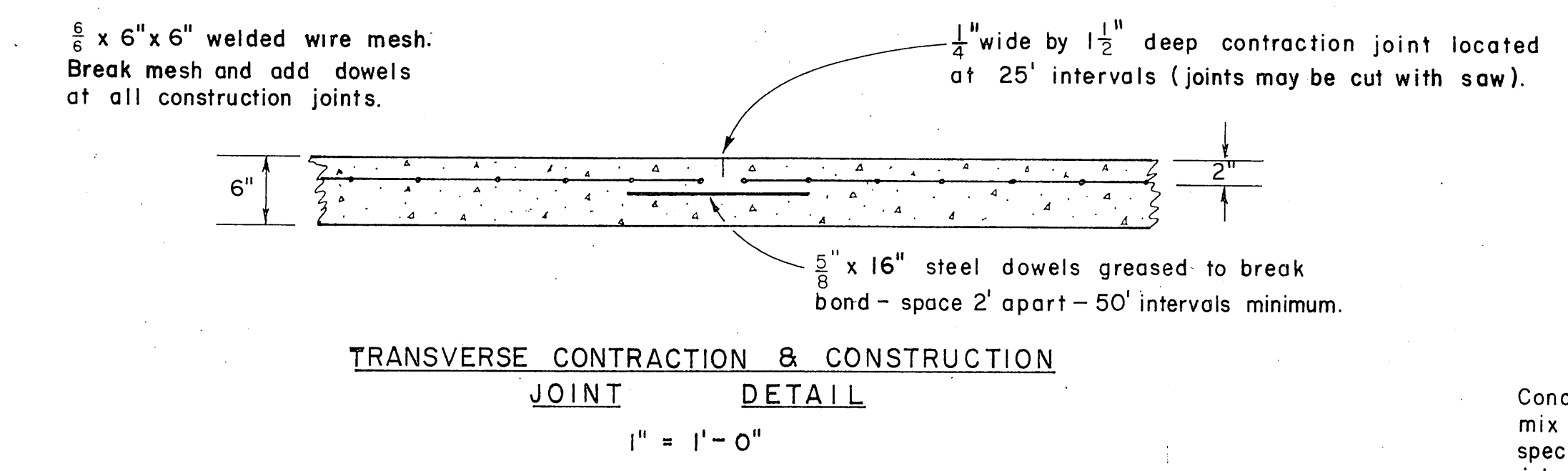
SECTION B-B



SECTION A-A
1/4" = 1'-0"



SITE PLAN
1" = 50'



TRANSVERSE CONTRACTION & CONSTRUCTION JOINT DETAIL
1" = 1'-0"

NOTES
Concrete shall consist of a 6 1/2 sack Class A concrete mix of the approx. proportions as listed in the specifications and approved by the Engr. Construction joints shall be located in such a manner as to fall at contraction joints, but shall not be at intervals of less than 50'.

STATE OF ALASKA DEPARTMENT OF PUBLIC WORKS DIVISION OF WATER AND HARBORS	
JUNEAU BOAT LAUNCHING RAMP	
SCALE - As shown	APPROVED <i>[Signature]</i>
DATE - April 1965	
PROJ. NO. W-65145	
SURVEYED BY DS:DW	DRAWN BY DW CHECKED BY DS