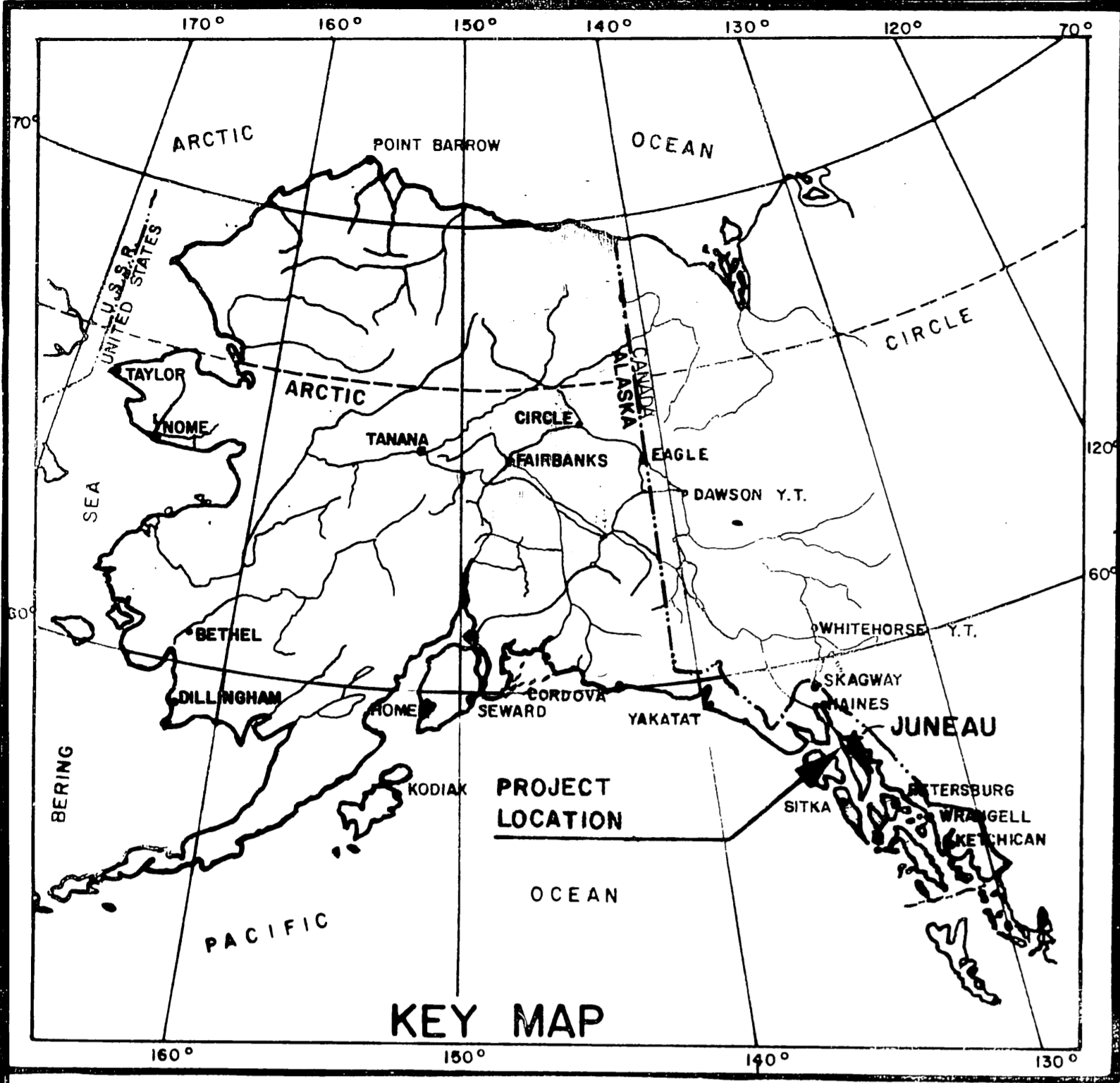


PLAN
NOTE BOOK
No.



PROFILE
NOTE BOOK
No.

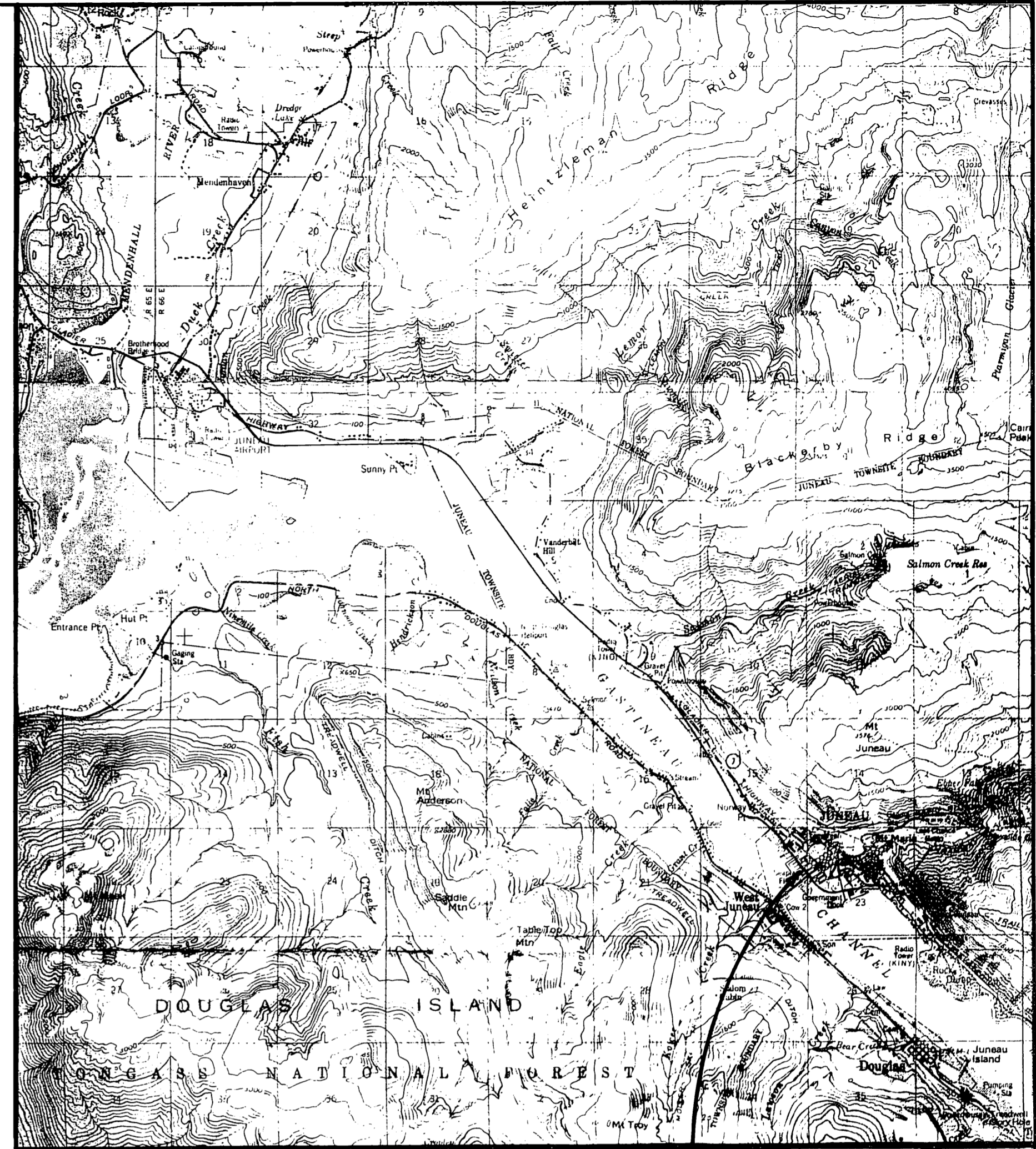
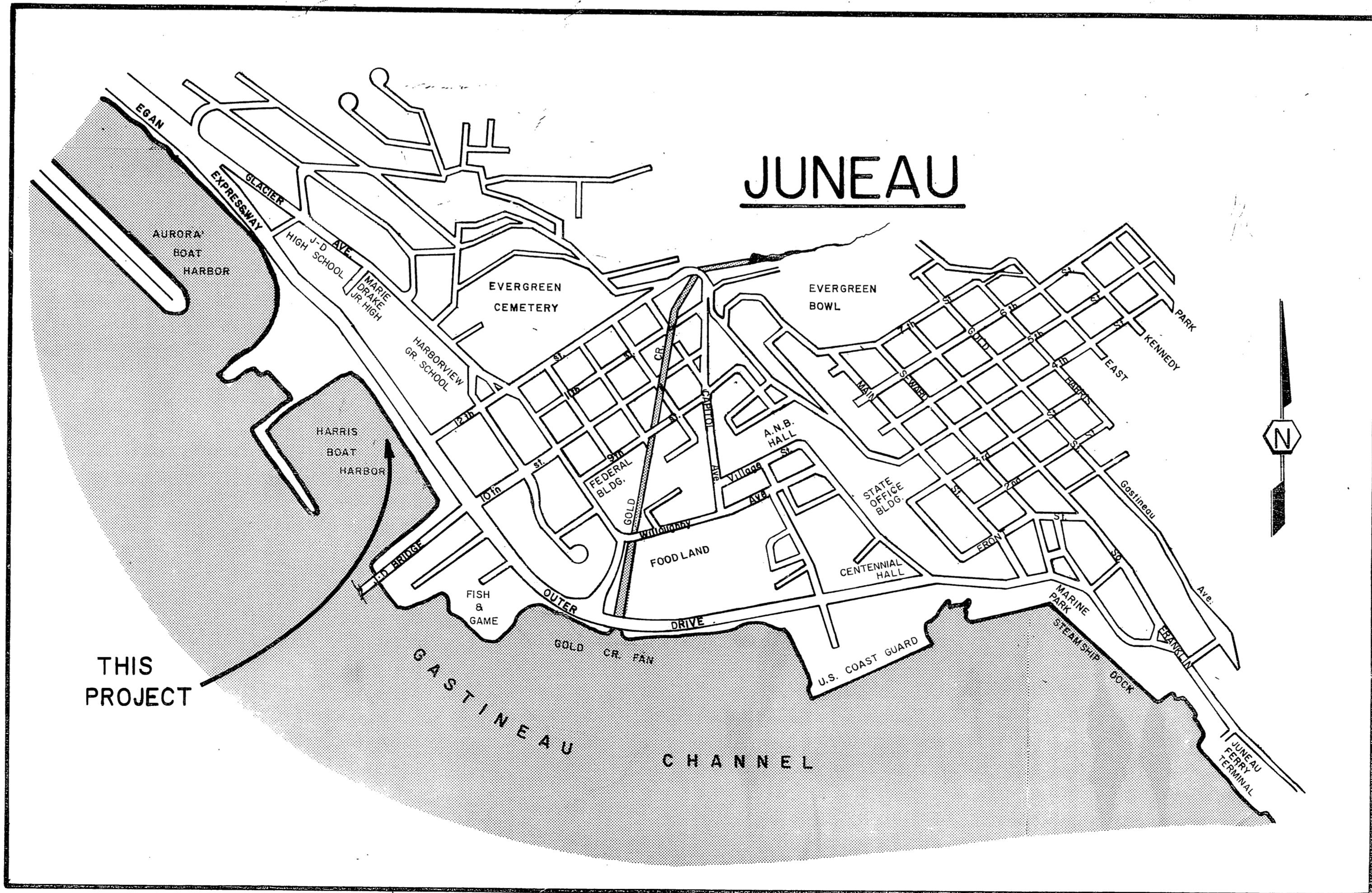
CITY & BOROUGH OF JUNEAU, ALASKA

DEPARTMENT OF
ENGINEERING

155 S. SEWARD ST. - JUNEAU, ALASKA 99801

HARRIS HARBOR

FLOAT RAMP REPLACEMENT

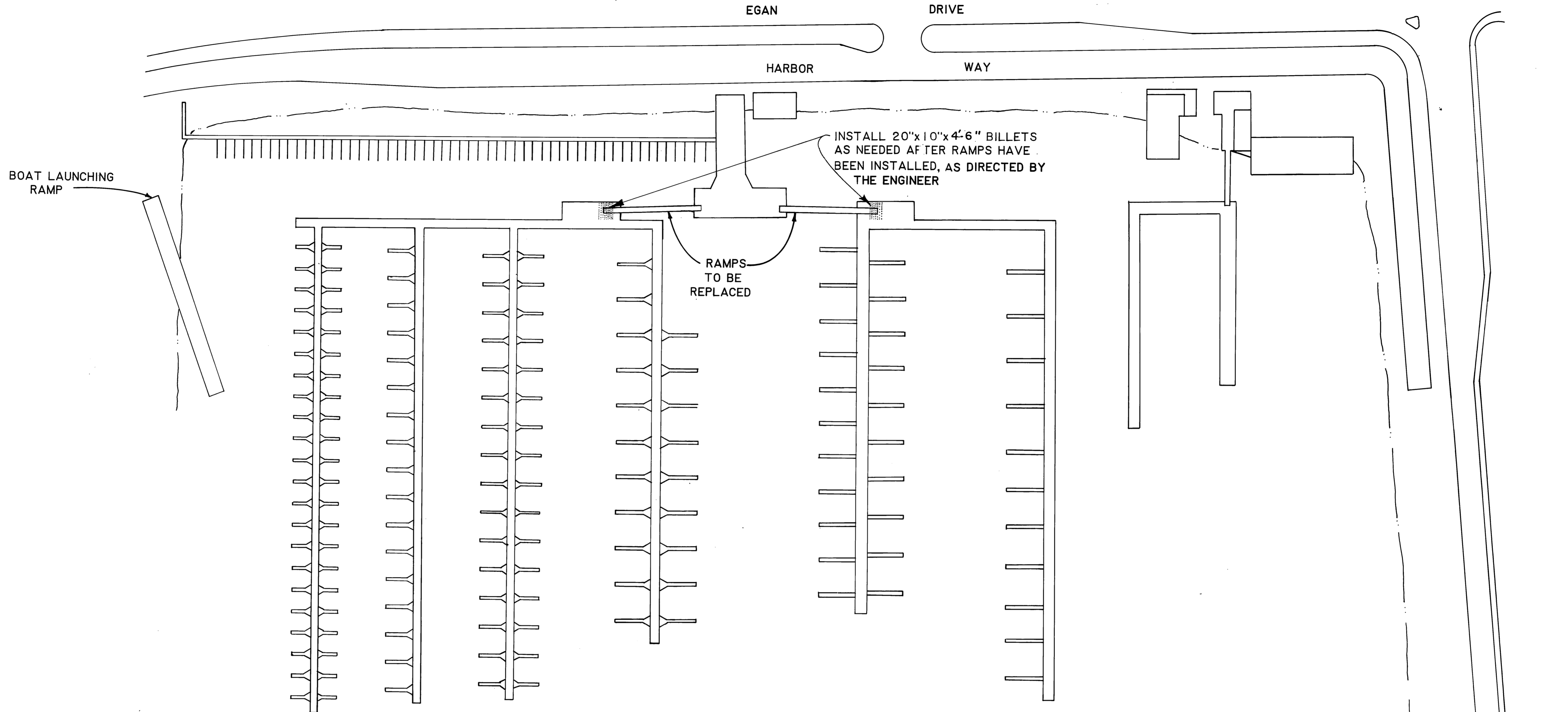


PROJECT LOCATION

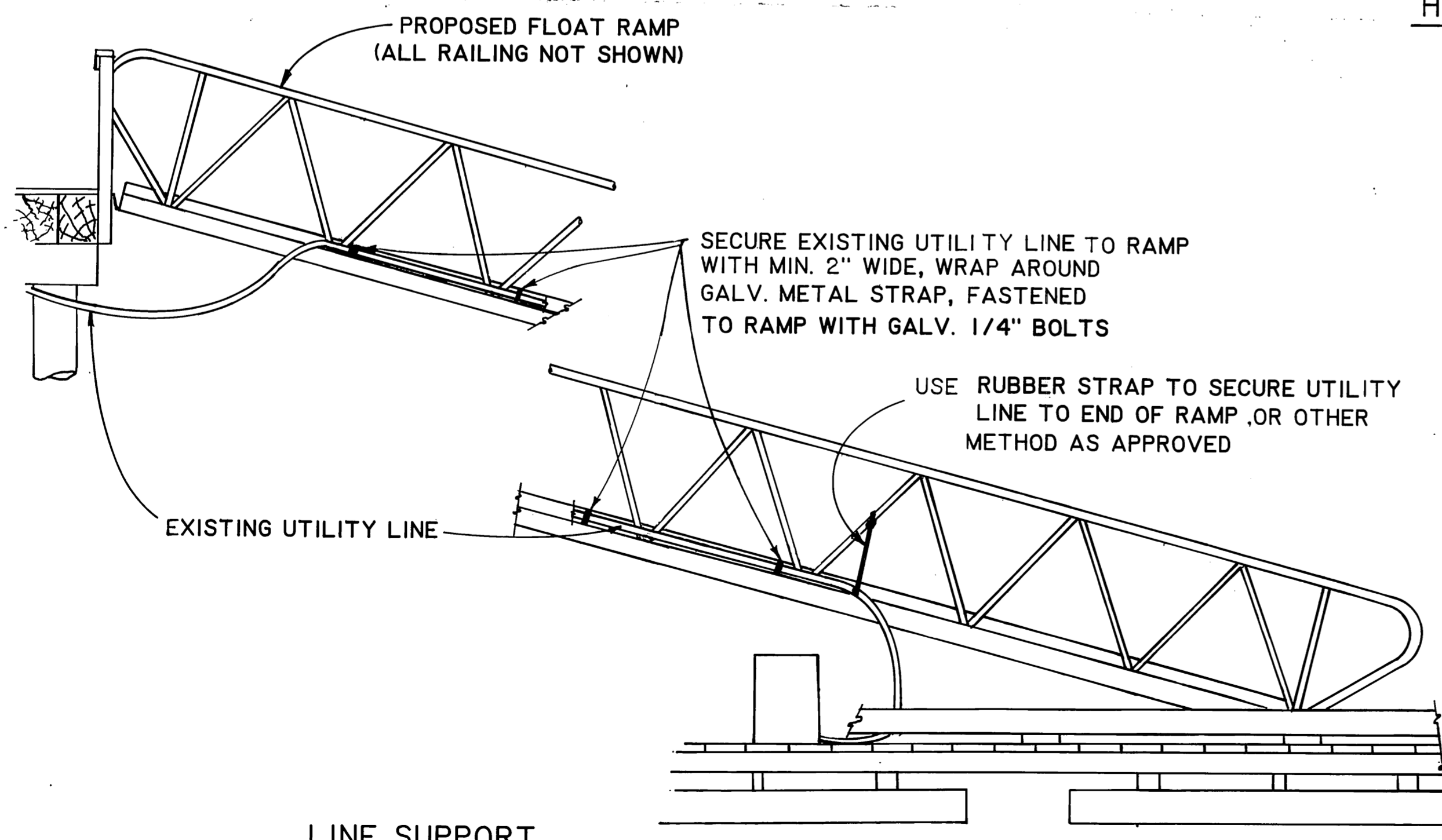
INDEX OF SHEETS	
1	COVER PAGE
2	HARBOR LAYOUT & DETAILS
3	DETAILS
4	DETAILS

Charles Wilson

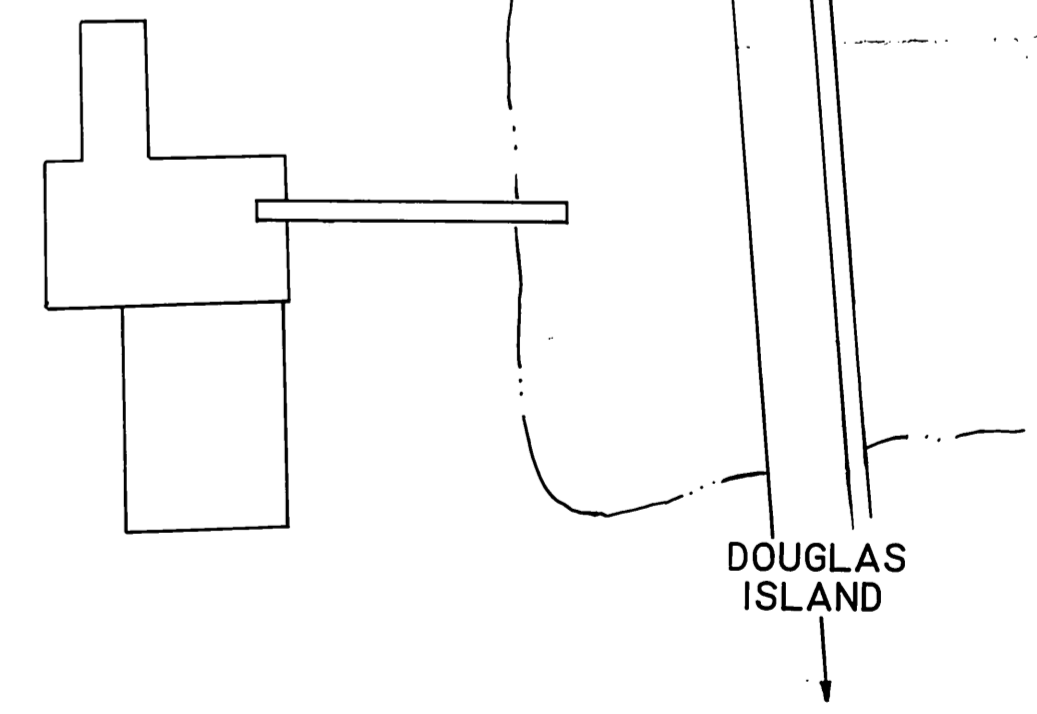
HARRIS HARBOR-FLOAT RAMP REPLACEMENT				
CITY & BOROUGH OF JUNEAU			Department of ENGINEERING	
155 S. SEWARD St. - JUNEAU, AK. 99801			CONTRACT NO. E-84-061	
DRAWN	CHECKED	APPROVED	DATE	SHEET
S.W.S.	C.N.L.		9/83	1 OF 4



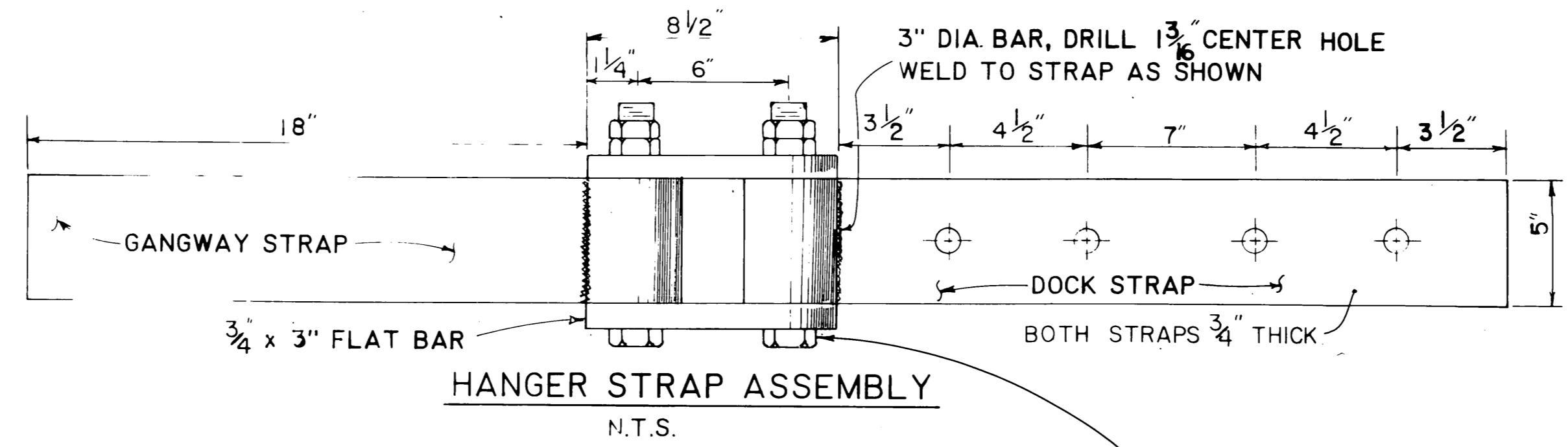
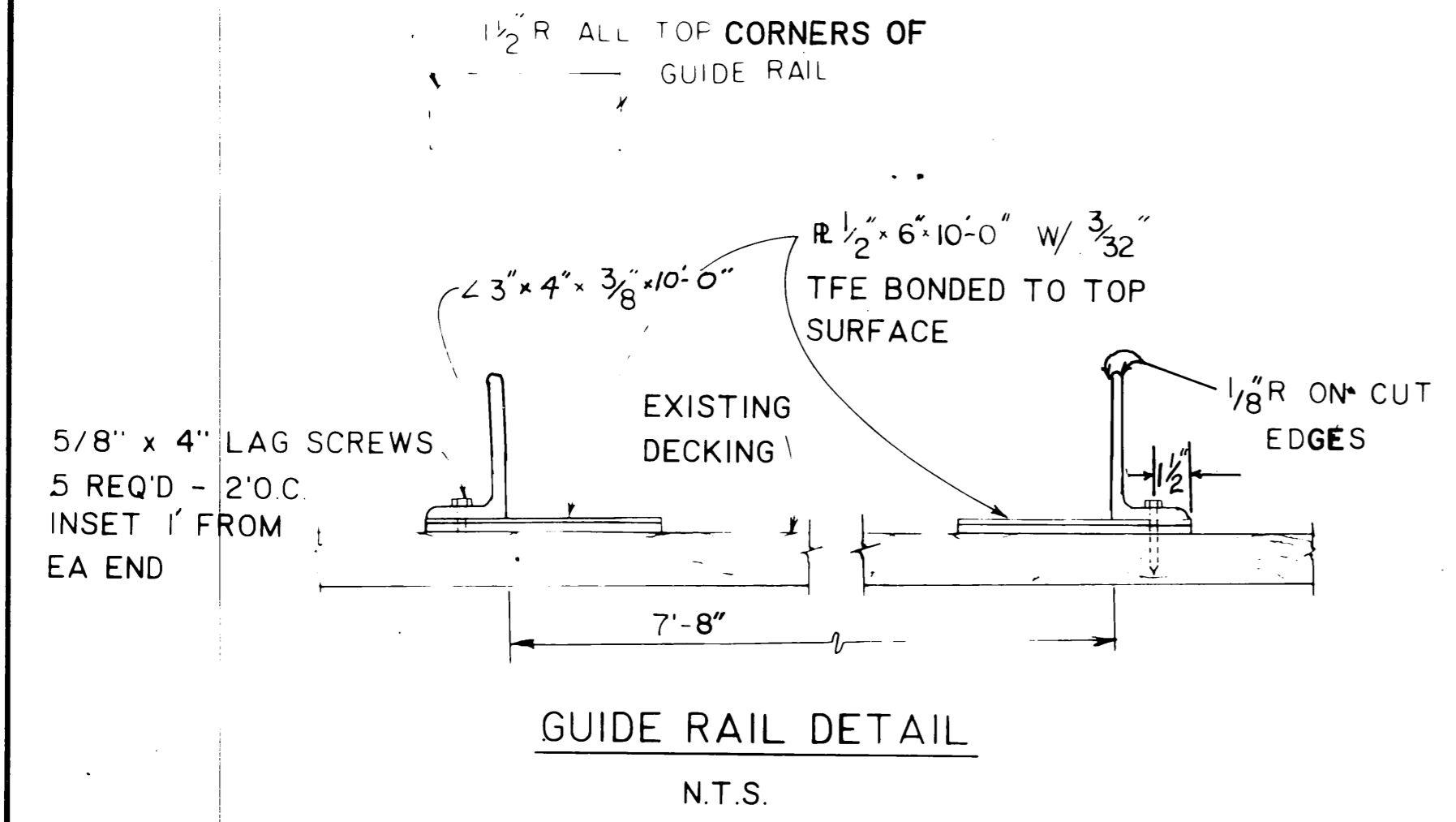
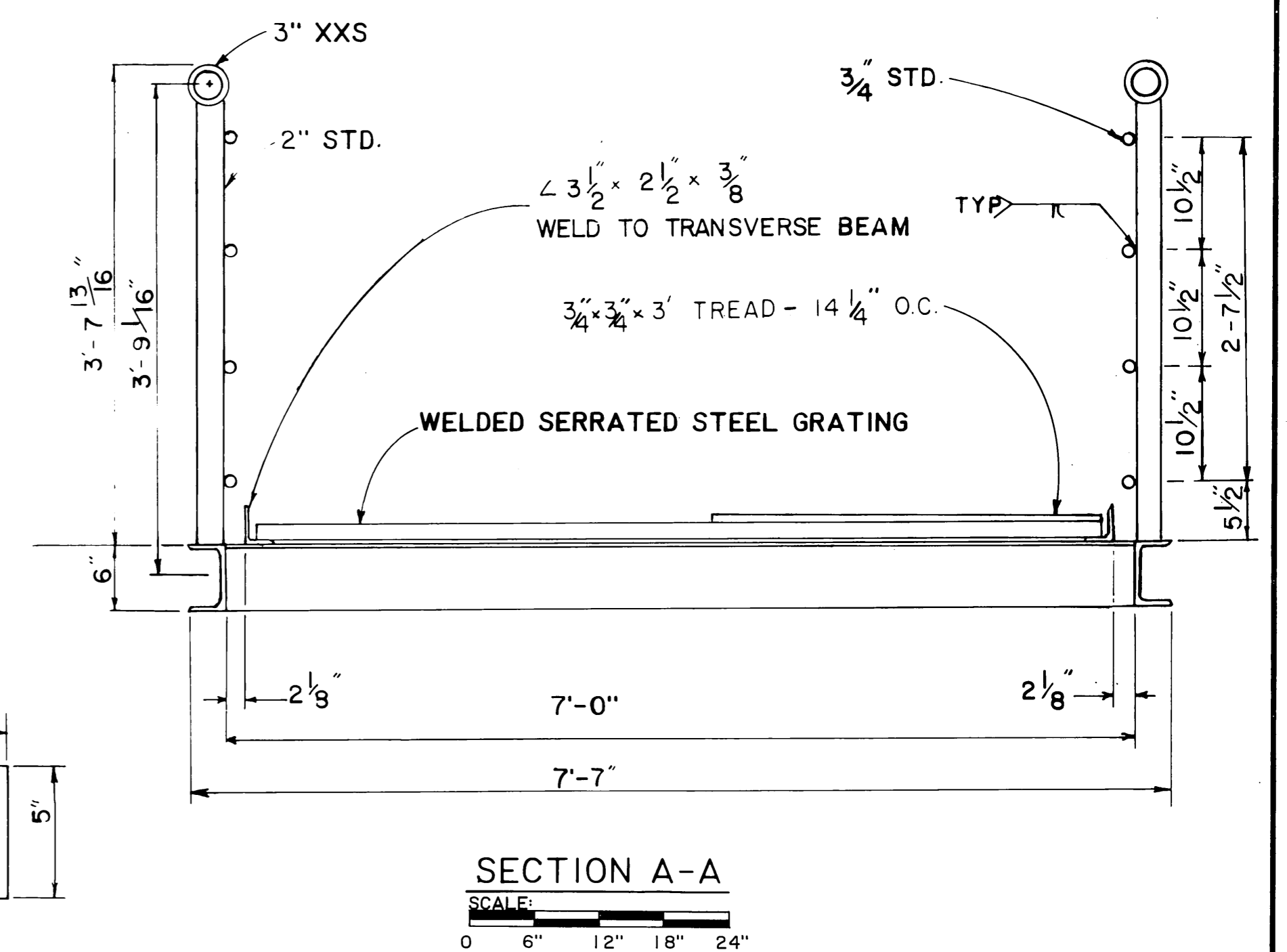
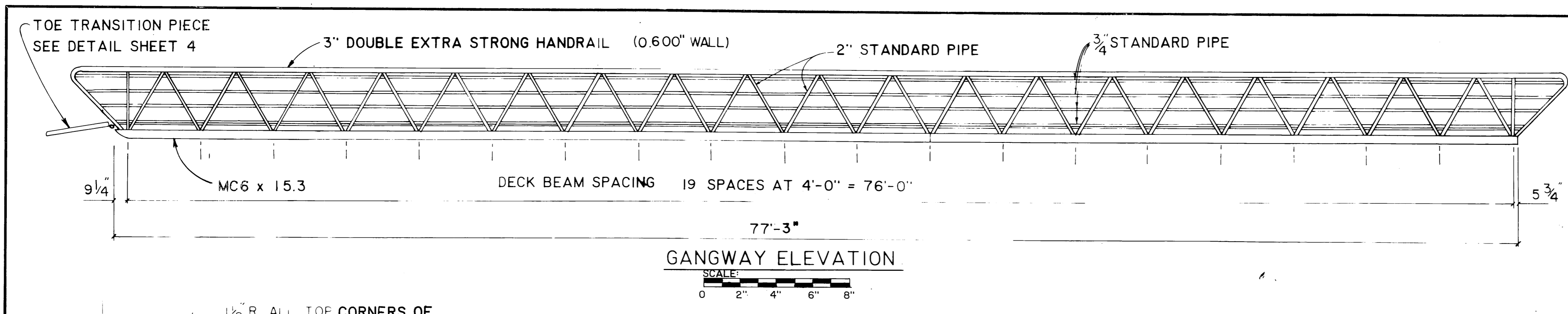
HARRIS HARBOR LAYOUT
N.T.S.



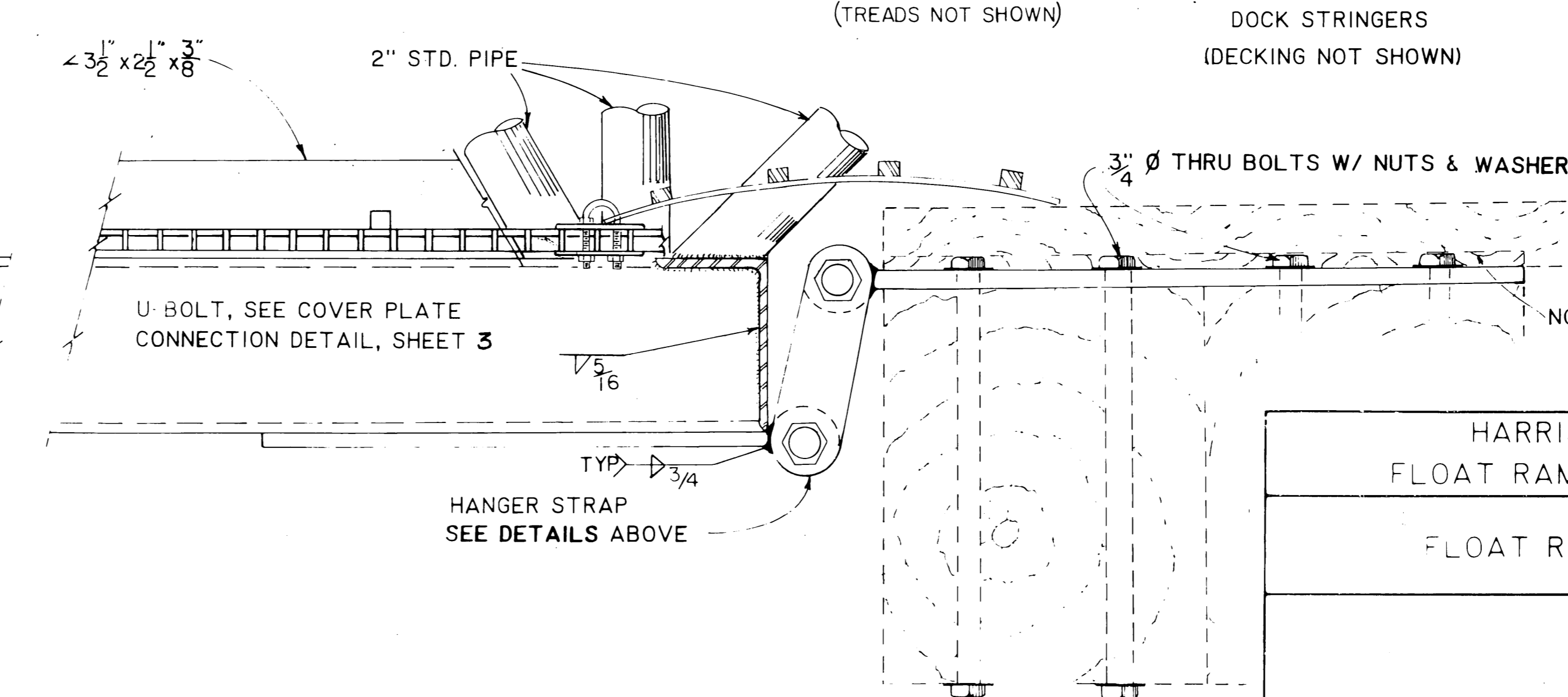
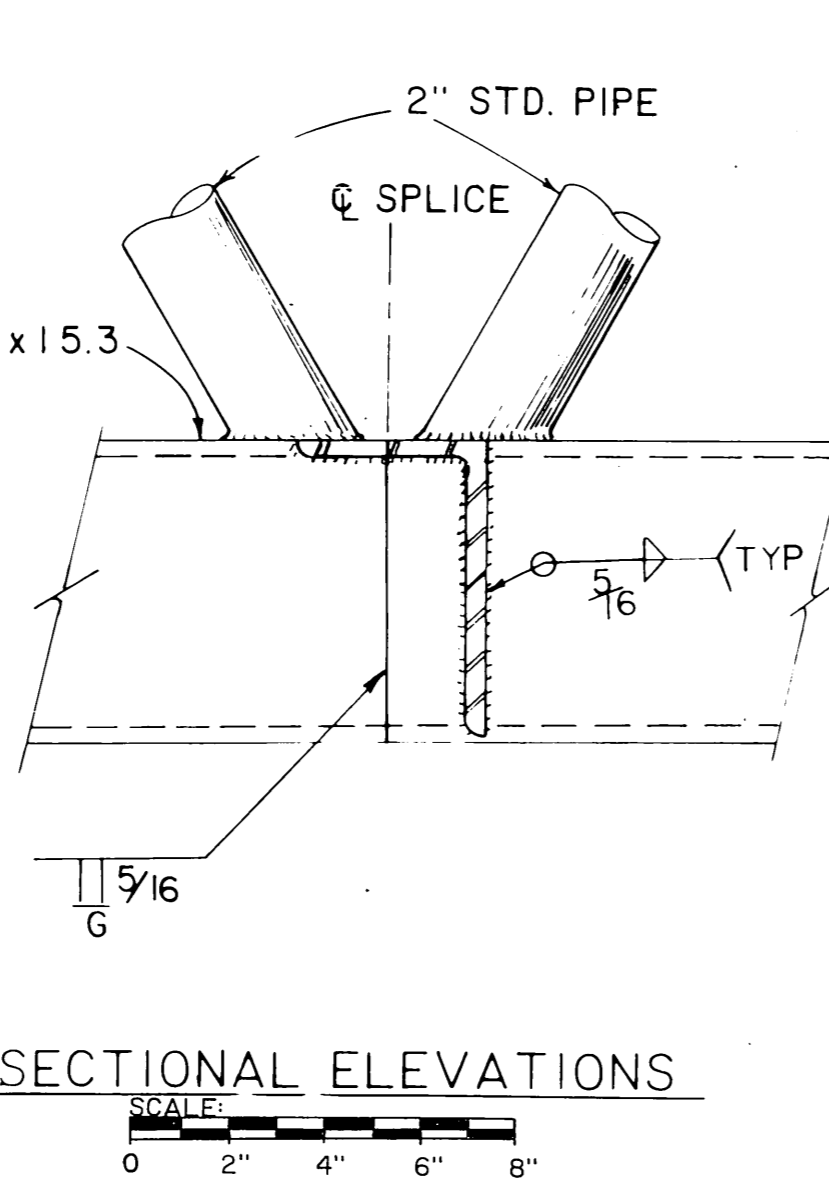
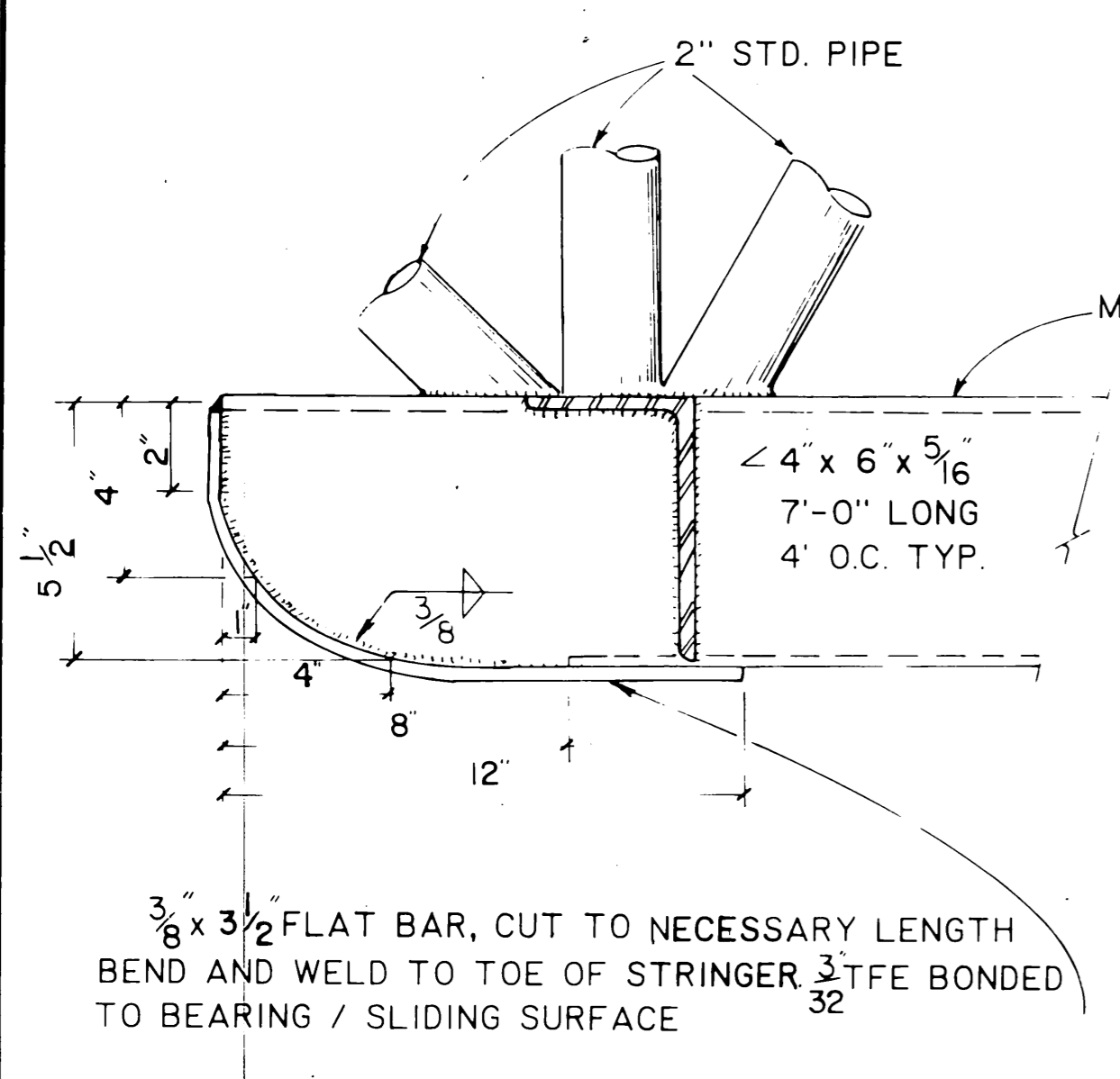
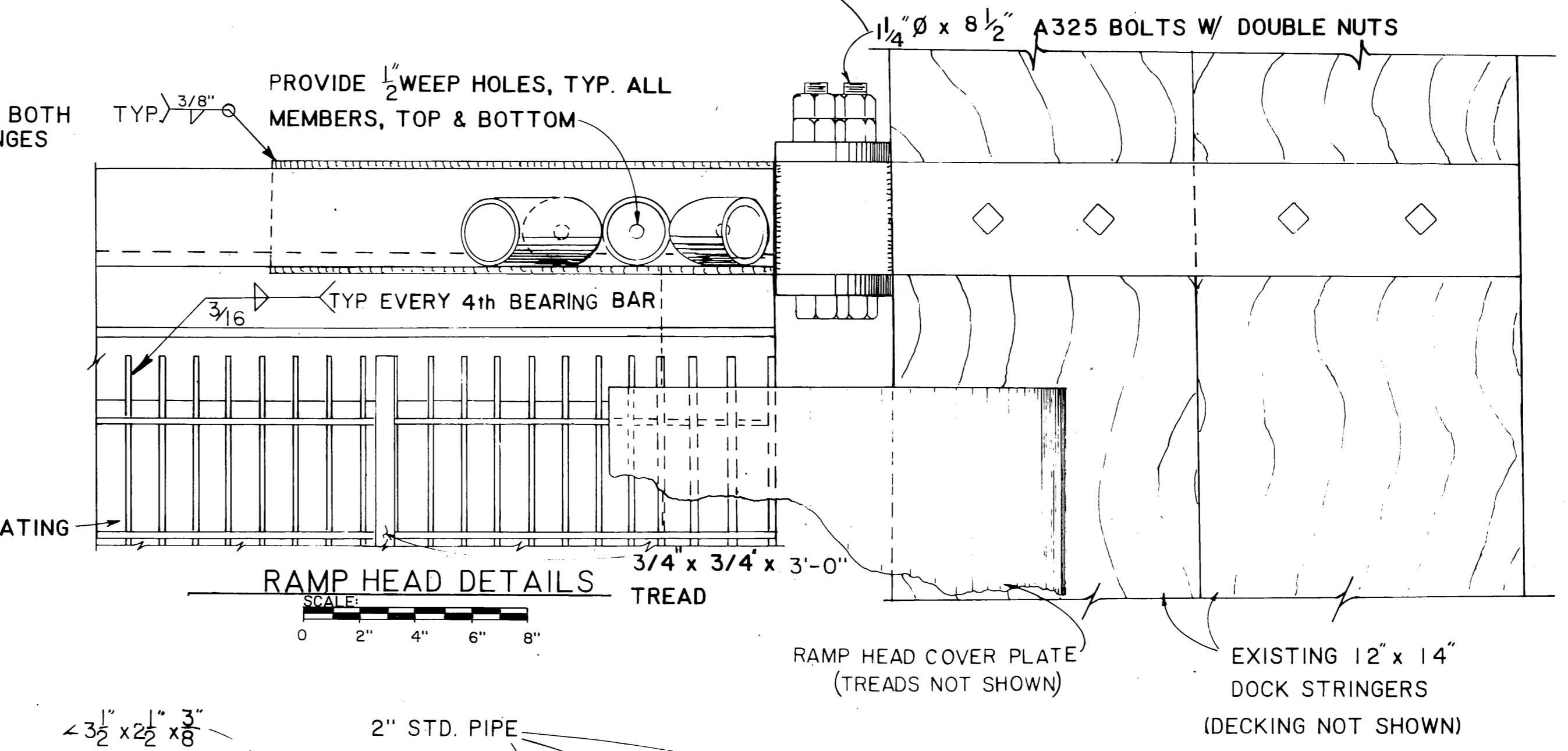
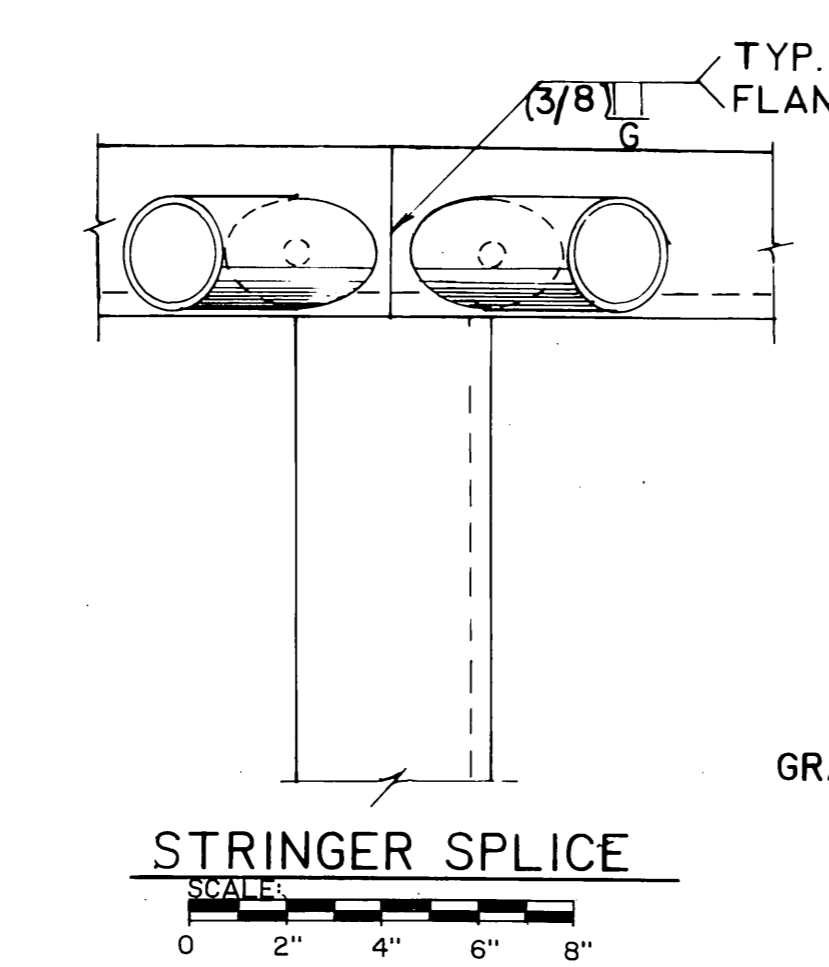
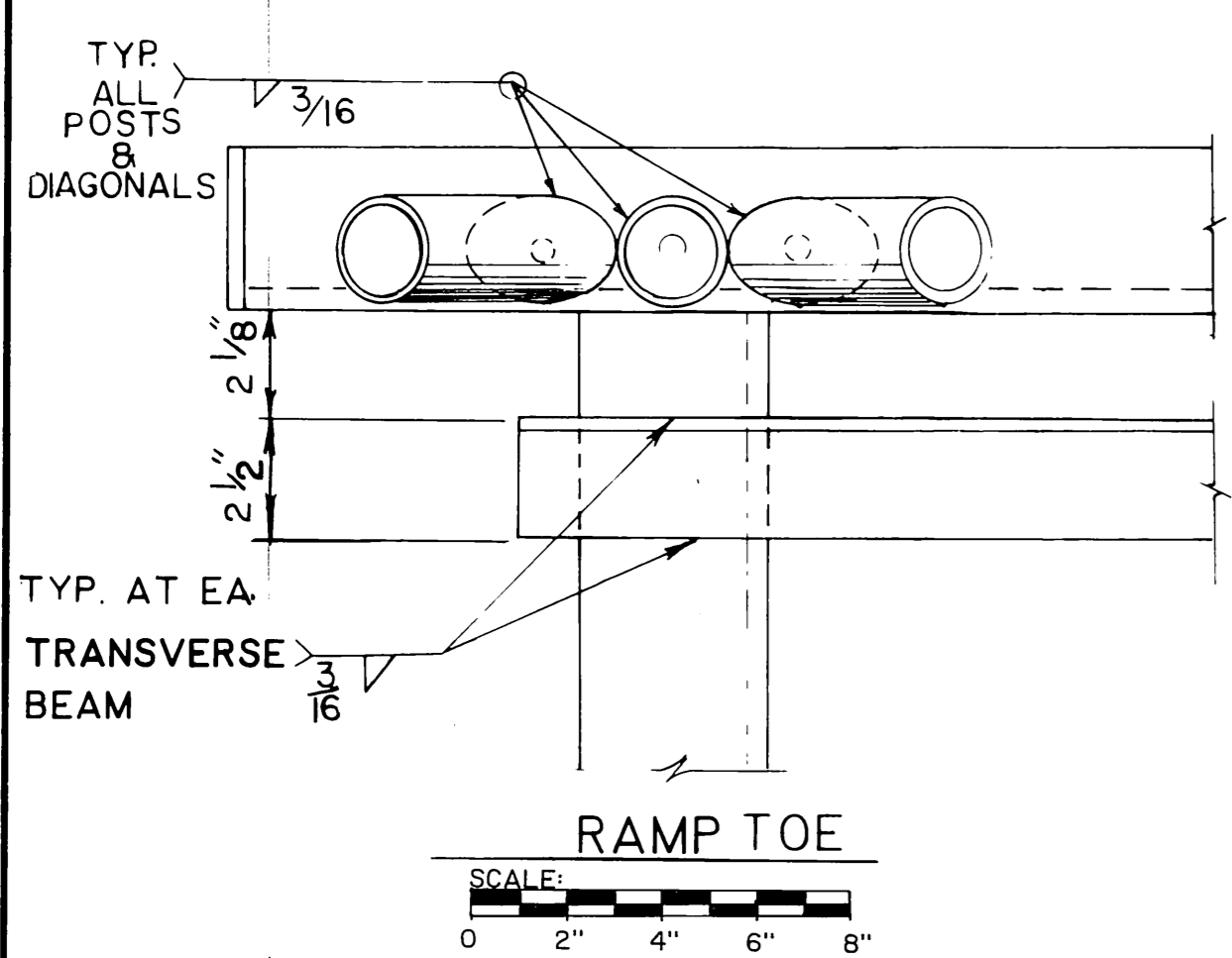
LINE SUPPORT
N.T.S.



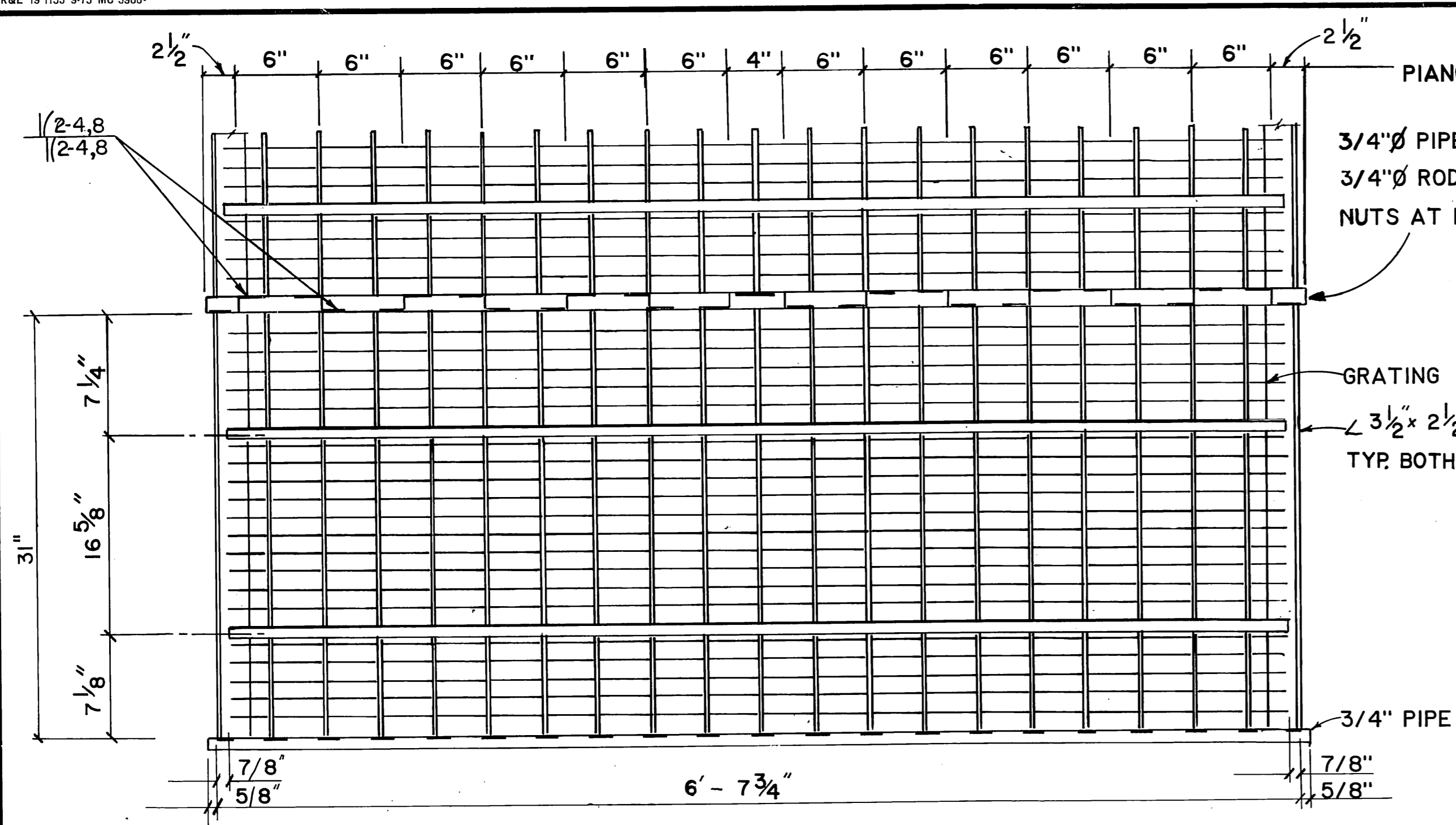
HARRIS HARBOR FLOAT RAMP REPLACEMENT		
HARBOR LAYOUT & UTILITY LINE SUPPORT DETAIL		
CITY AND BOROUGH OF JUNEAU ENGINEERING DIVISION 155 SOUTH SEWARD STREET JUNEAU, ALASKA 99801	DRWN. S.W.S. DATE 9/83	CHKD. _____ DATE _____ APPROVED _____ DATE _____
SCALE AS SHOWN		SHEET 2 OF 4



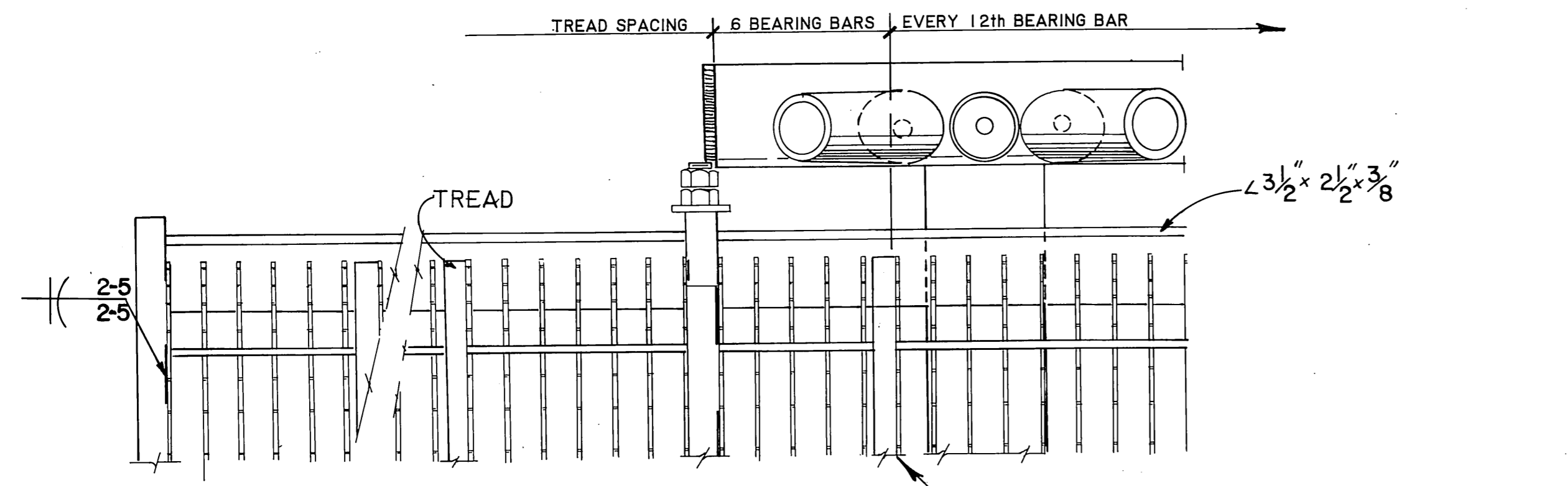
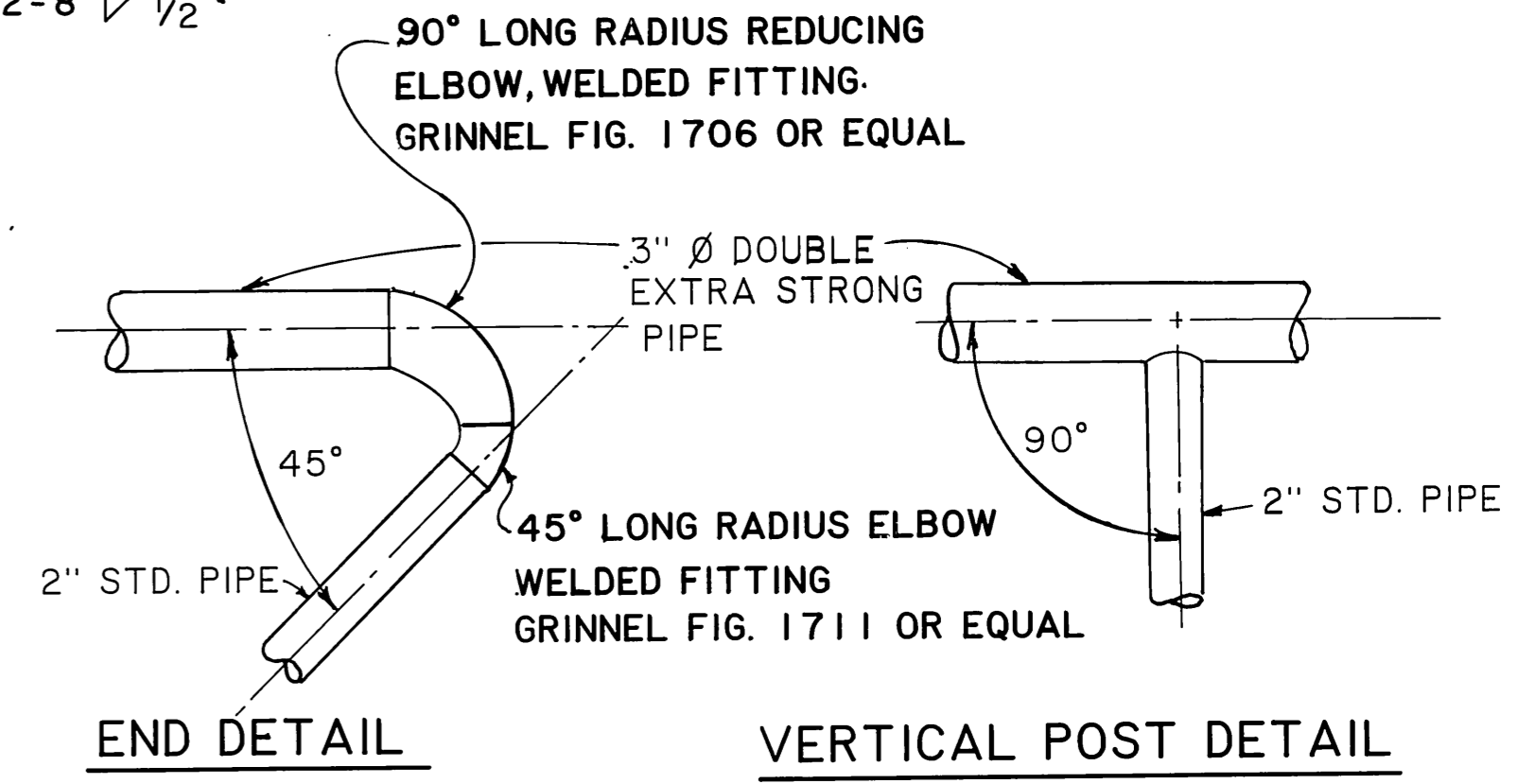
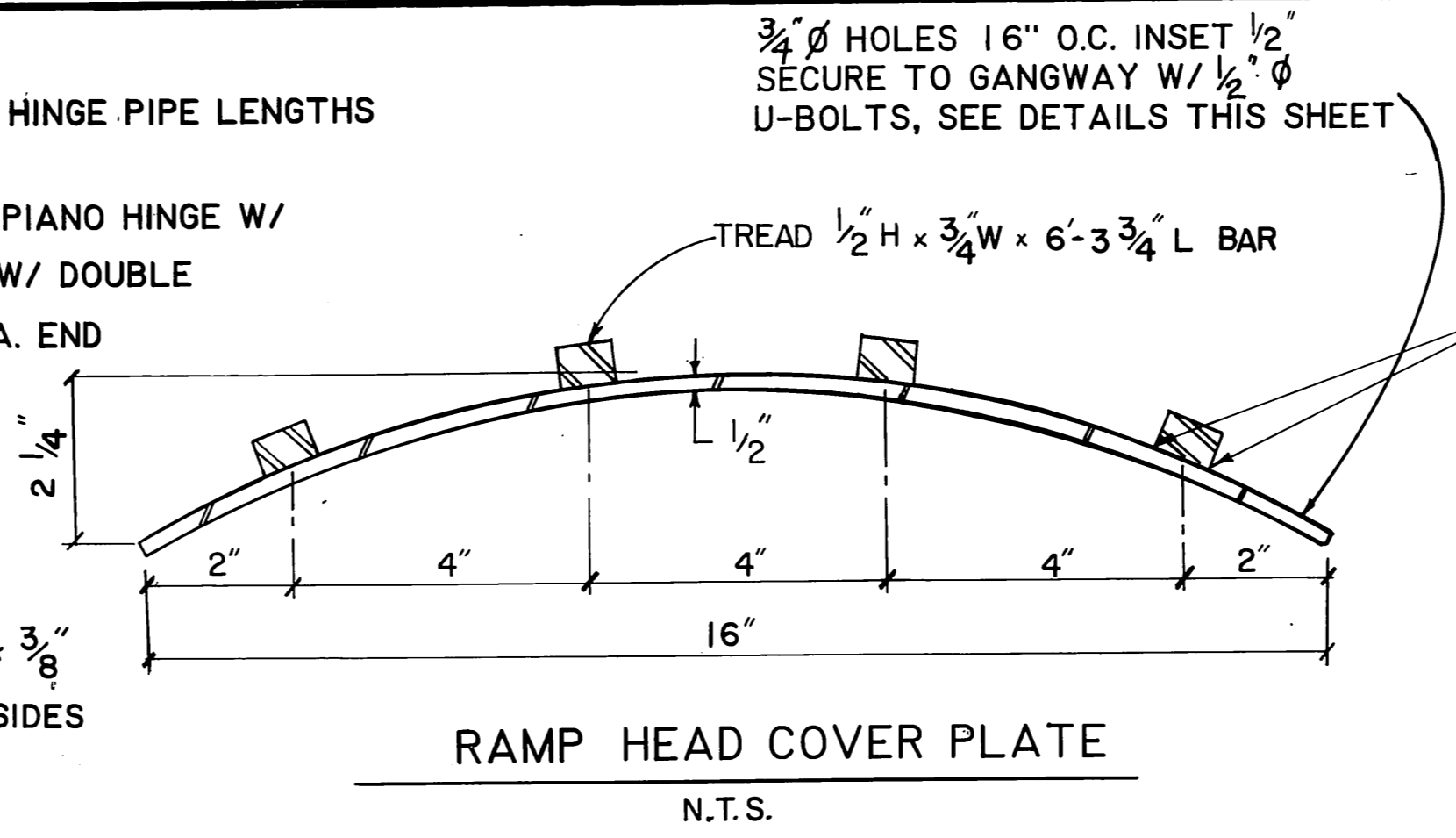
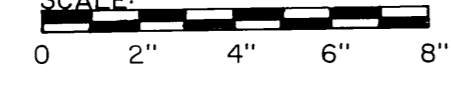
- NOTES**
1. GRATING SHALL BE WELDED SERRATED STEEL W/ 1 1/2 x 3/16 x 6'-6" BEARING BARS AT 1 3/4" O.C. & 1/4" CROSS BARS AT 4" O.C.
 2. ALL SEAMLESS PIPE SHALL CONFORM TO ASTM A-53
 3. ALL SHAPES AND PLATES SHALL CONFORM TO ASTM A-36
 4. ALL TRUSSES, SHAPES, PLATES, & GRATING SHALL BE HOT DIPPED GALVANIZED AFTER FABRICATION IN ACCORDANCE W/ ASTM A-23, A-384, A-385, A-386
 5. RAMPS SHALL BE SHOP FABRICATED AND ASSEMBLED
 6. ALL STEEL HARDWARE AND FASTENERS SHALL BE HOT DIPPED GALVANIZED AFTER FABRICATION IN ACCORDANCE W/ ASTM A-153
 7. ASSEMBLY SHOP DRAWINGS SHALL BE SUBMITTED FOR APPROVAL



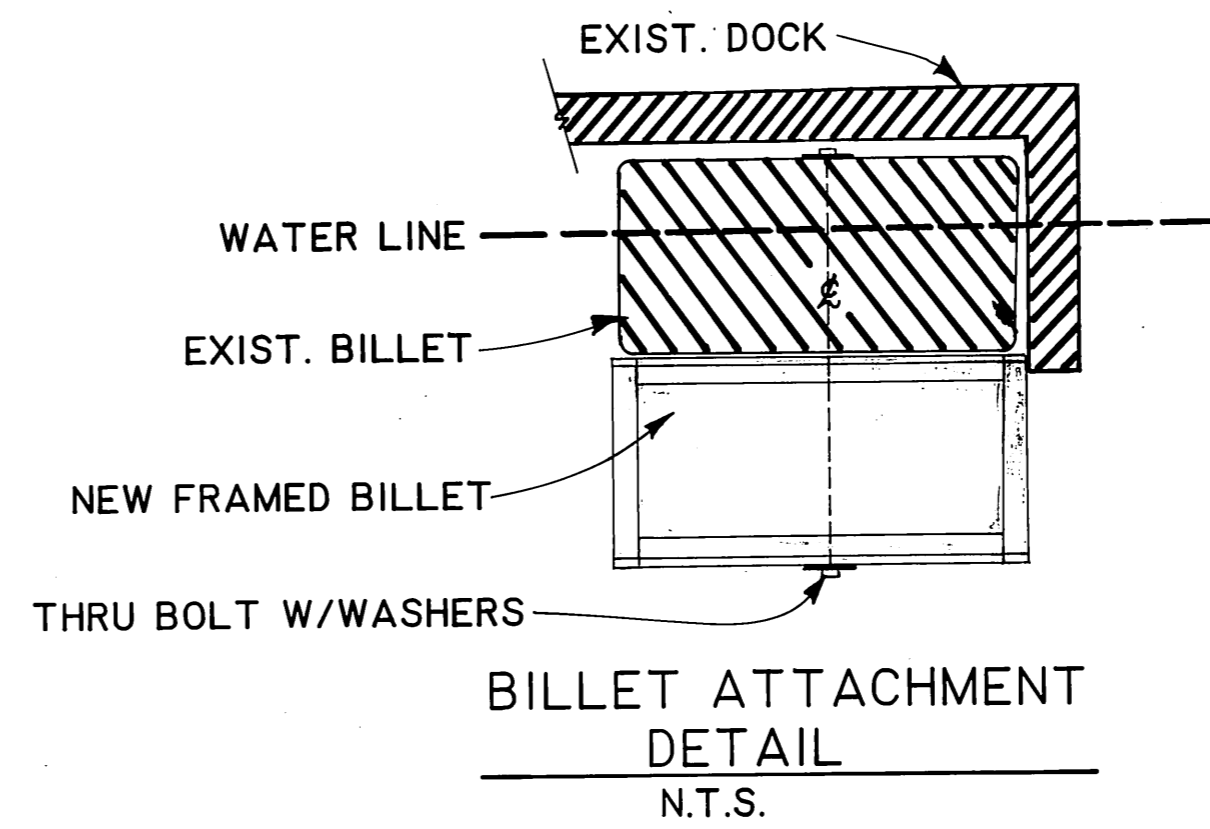
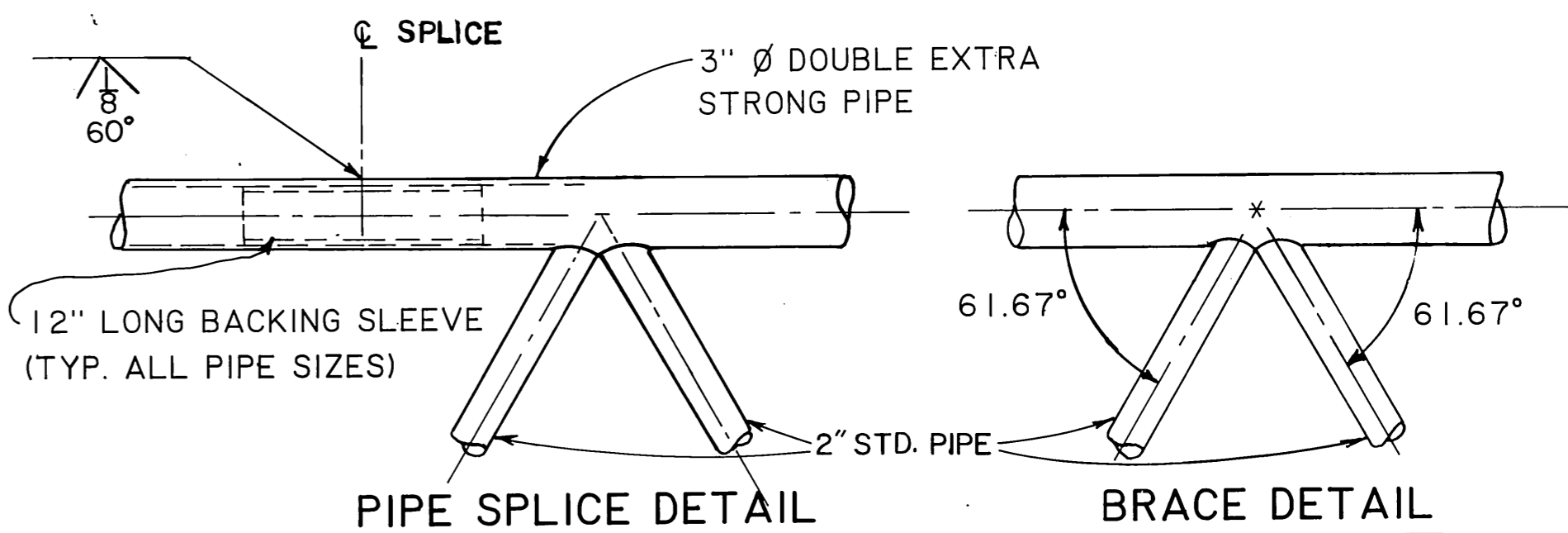
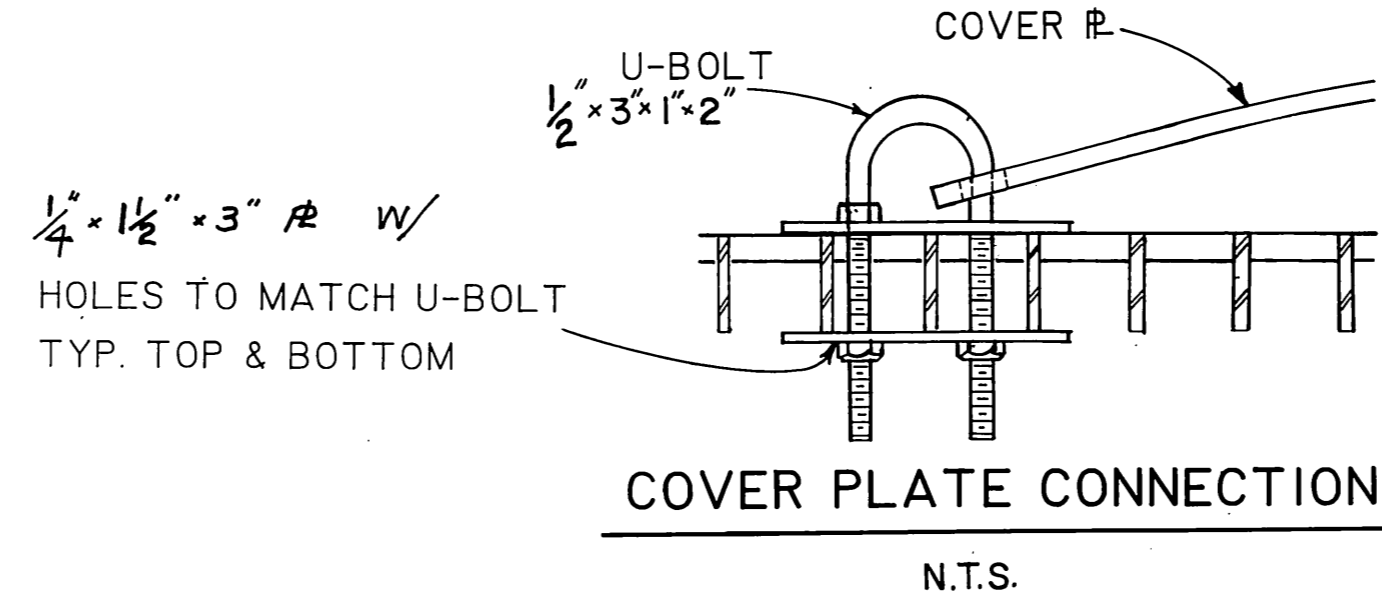
HARRIS HARBOR FLOAT RAMP REPLACEMENT		
FLOAT RAMP DETAILS		
S.W.S. 9/83		
AS SHOWN		
		3 4



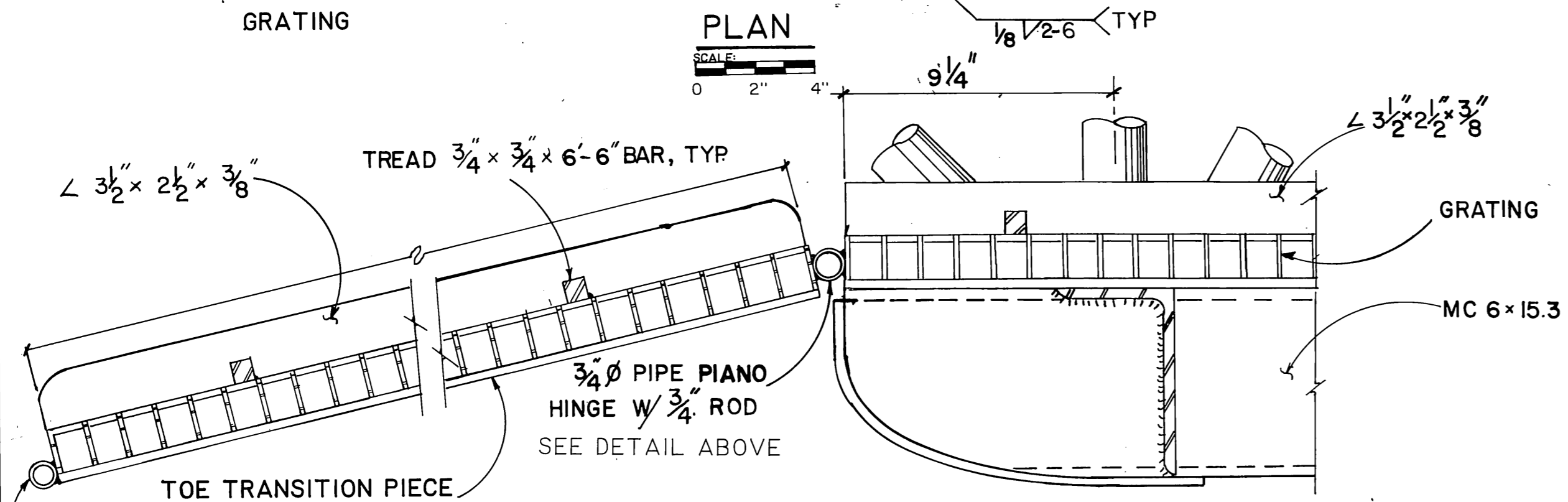
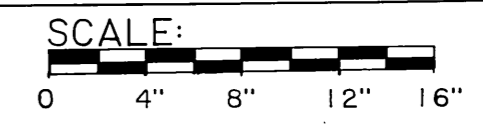
TOE TRANSITION PIECE



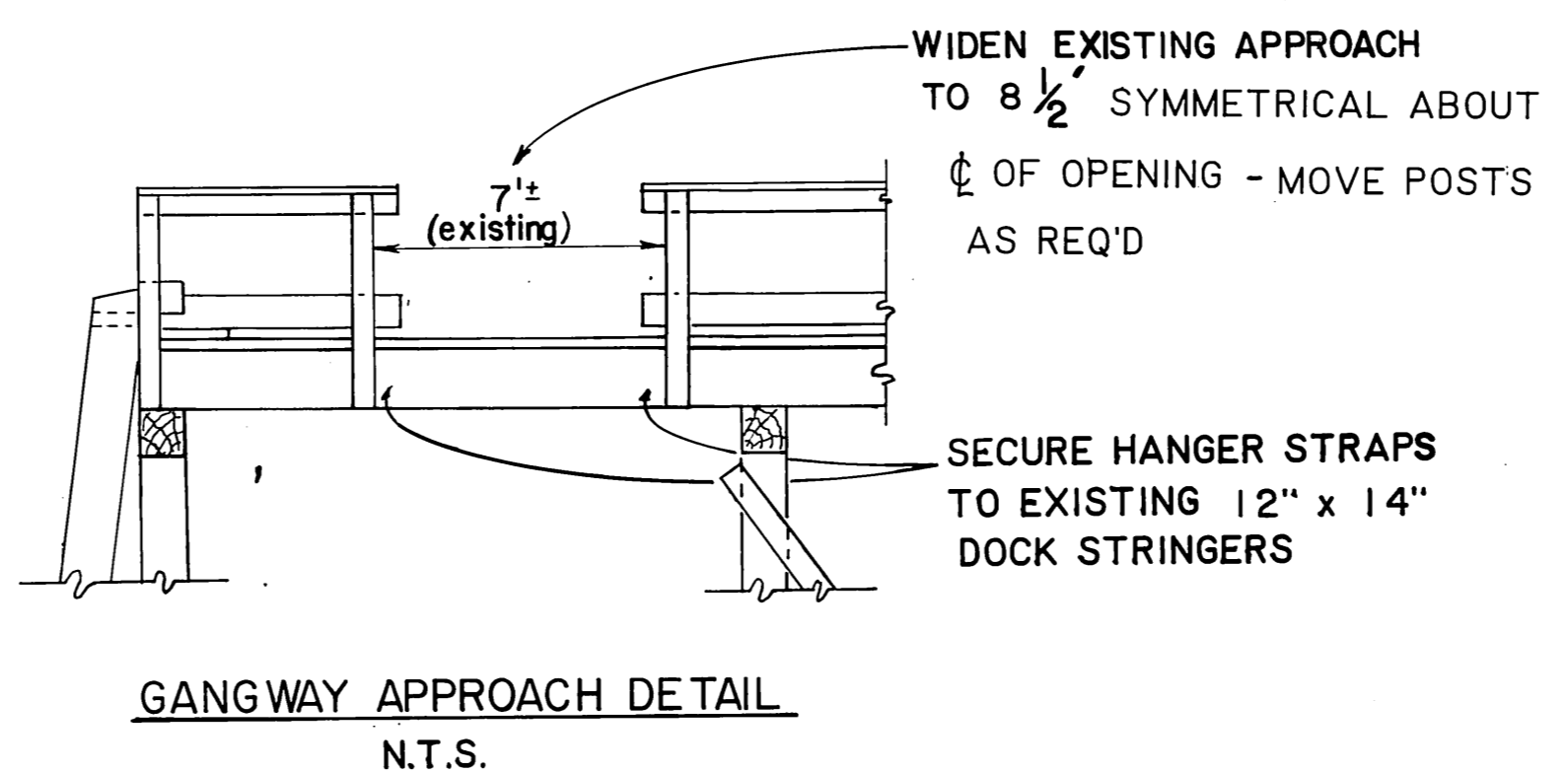
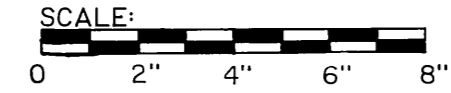
TOE TRANSITION PIECE, GRATING



HANDRAIL DETAILS



SECTIONAL ELEVATION



HARRIS HARBOR FLOAT RAMP REPLACEMENT		
Float Ramp Details		
CITY AND BOROUGH OF JUNEAU ENGINEERING DIVISION 155 SOUTH SEWARD STREET JUNEAU, ALASKA 99801	DRWN. S.W.S. DATE: 9/83	CHKD. _____ DATE: _____
APPROVED: _____ DATE: _____		SCALE: AS SHOWN
SHEET 4 OF 4		