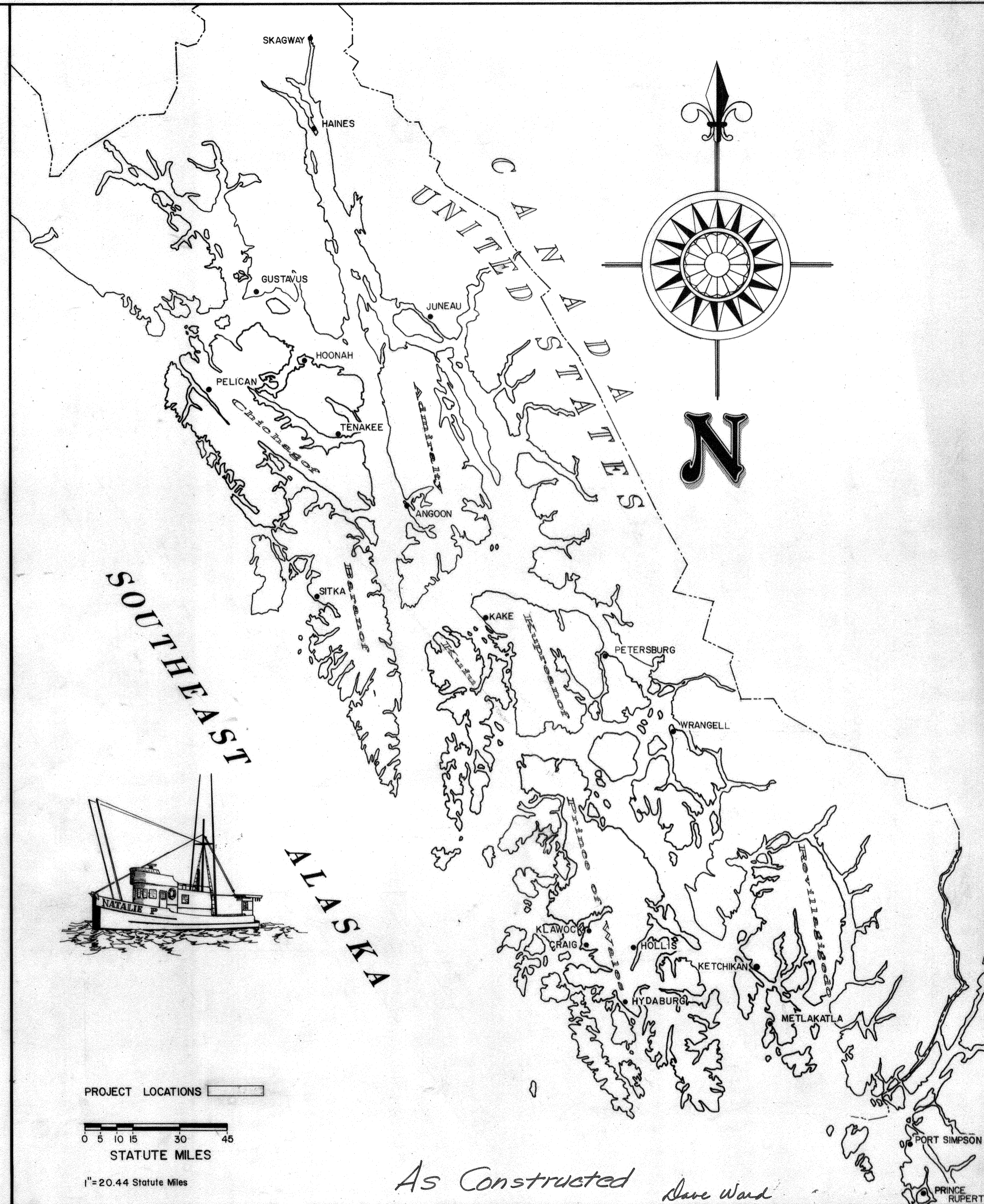


AUKE BAY TRANSIENT FACILITY INTERMEDIATE TENSIONING UNITS PROJECT NO 69244



CONTRACTOR: BAY BUILDERS
 Project Engr: Dave Ward
 Begin: Dec. 23, 1986
 Finish: Casting - January 22, 1987
 Delivery - April 3, 1987

PROJECT LOCATIONS
 1" = 20.44 Statute Miles

As Constructed Dave Ward

STATE
OF
ALASKA

DEPARTMENT OF TRANSPORTATION
& PUBLIC FACILITIES
S.E. REGION DESIGN & CONSTRUCTION

APPROVED

 Director S.E. D&C. 3.2.86 Date
 Recommend for Approval

 Group Design Chief 8/21/86 Date

SHEET 1 of

INDEX TO SHEETS

1	TITLE SHEET			
2	INTERMEDIATE TENSIONING UNIT DETAILS			
3	DIMENSION TABLE			
4	REBAR DETAILS & SCHEDULE			
5	REVISIONS			
6	REVISIONS			


PROJECT &
FILE NO.
AUKE BAY TRANSIENT
FACILITY INTERMEDIATE
TENSIONING UNITS
PROJECT NO. 69244

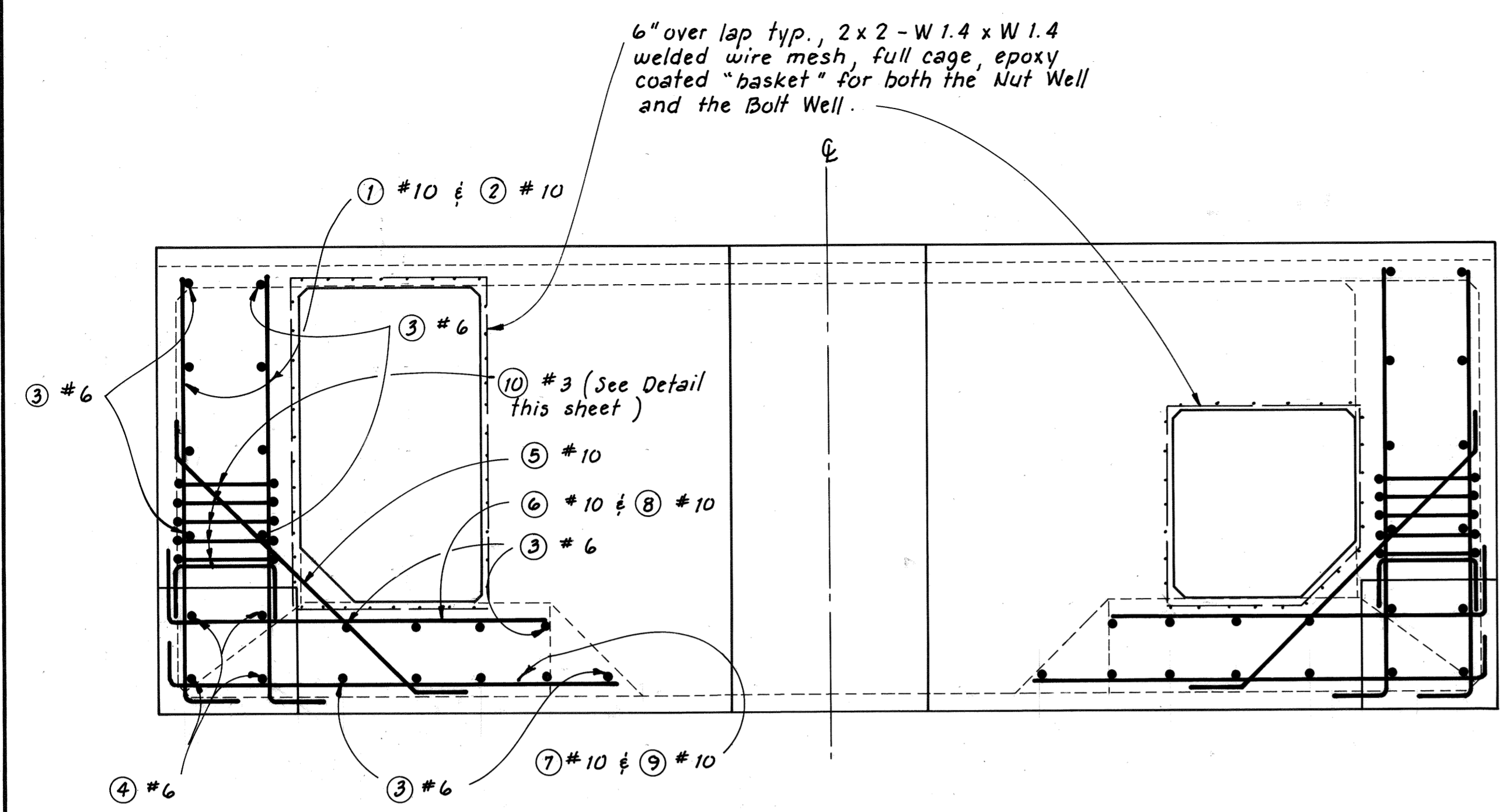
TENSIONING DUCT LOCATION DIMENSIONS (SEE SHEET 2)					
UNIT	a	b	c	d	MATCH CAST BOLT FACE TO UNIT :
DD2	8 1/2"	8 1/2"	6 7/16"	6 3/8"	DD4
DD4	8 1/16"	8 1/4"	6 3/4"	6 7/16"	DD2
DD30	8 1/2"	8 1/2"	7 1/8"	6 9/16"	DD32
DD32	8 5/8"	8 5/8"	6 9/16"	6 7/16"	DD30
CC18	8 1/16"	8 5/8"	6 7/16"	6 7/16"	CC20
CC20	8 1/16"	8 1/2"	6 13/16"	6 1/16"	CC18
BB26	8 5/8"	8 1/16"	6 5/8"	6 5/8"	BB28
BB28	8 1/2"	8 1/16"	6 13/16"	6 1/16"	BB26
R10	8 1/2"	8 5/8"	6 5/8"	6 7/16"	R12
R12	8 3/8"	8 1/16"	6 1/2"	6 1/16"	R10
T9	8 1/16"	8 5/16"	6 1/16"	6 7/16"	T11
T11	8 1/16"	8 5/8"	6 1/2"	6 1/16"	T9
V10	8 1/16"	8 1/2"	6 9/16"	6 1/2"	V12
V12	8 1/4"	8 9/16"	6 7/8"	6 1/2"	V10
Y2	8 1/16"	8 1/16"	6 5/8"	6 1/16"	Y4
Y4	8 1/16"	8 1/2"	6 7/16"	6 3/8"	Y2

Epoxy grout cracks
around tens. duct
cracked from
lifting when
still under strength

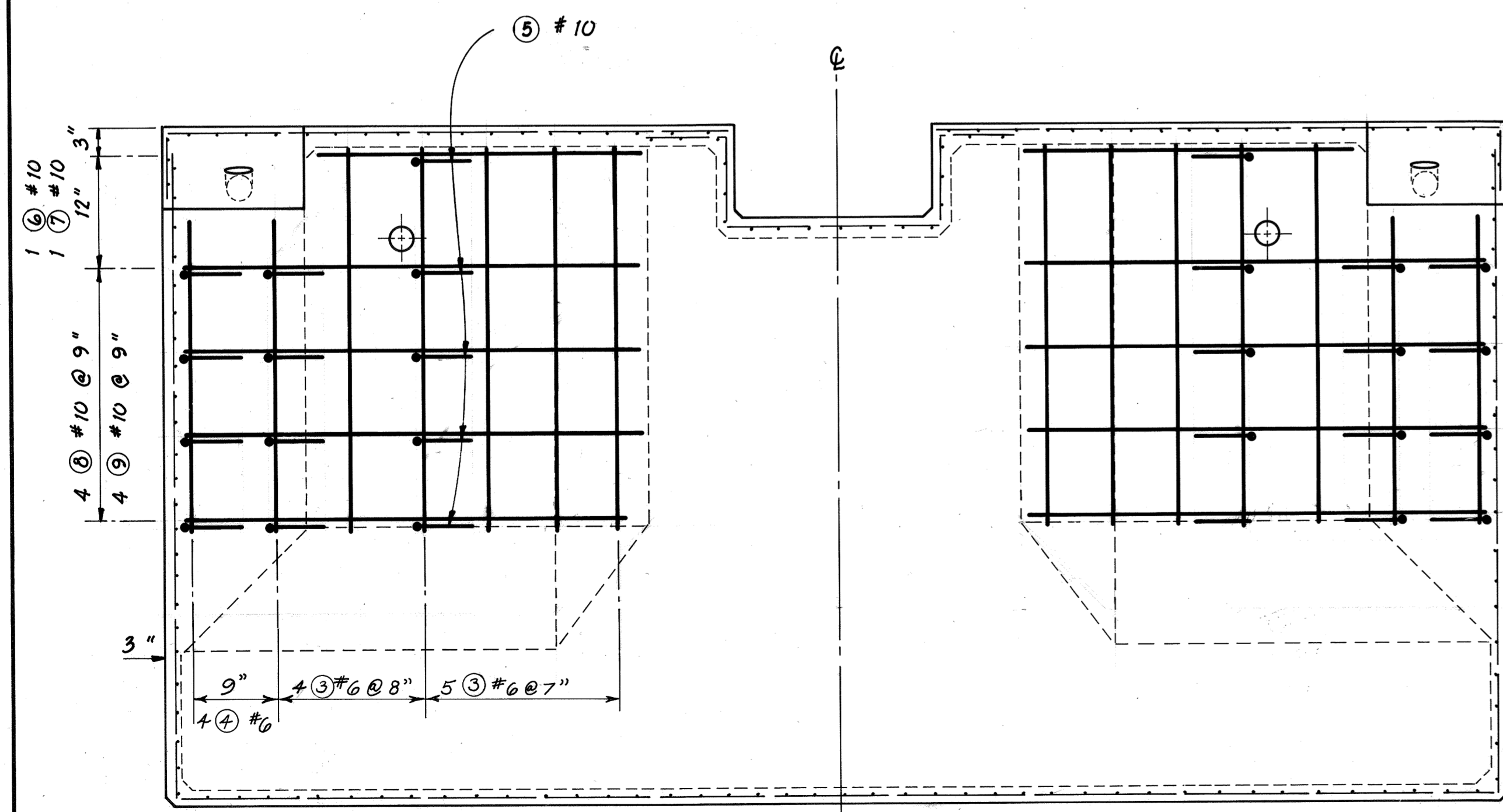
Tension well 3" short one corner

As Constructed 4-8-87 DCW

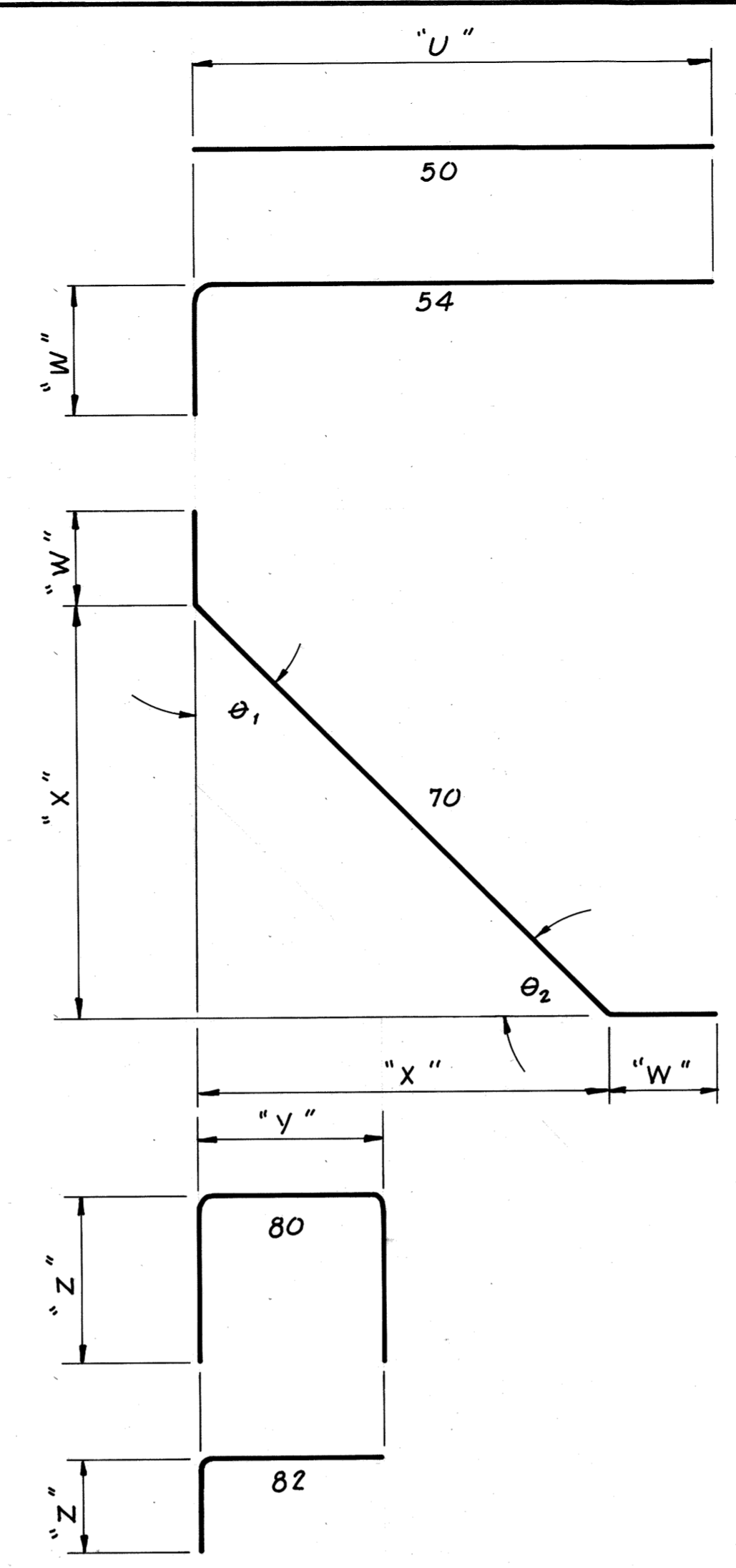
STAMP		DO NOT SCALE THIS DRAWING - USE DIMENSIONS	
		STATE OF ALASKA	
		DEPARTMENT OF TRANSPORTATION AND PUBLIC FACILITIES	
Anchorage		Alaska	
DIMENSION TABLE			
DESIGNED <u>D.D.</u>	CHECKED <u>J.D.B.</u>	DRAWN <u>B.H.</u>	DATE <u>8-86</u>
PROJECT NUMBER <u>69244</u>	SHEET <u>3</u> OF <u>4</u>		



PLAN VIEW
1" = 1'-0"



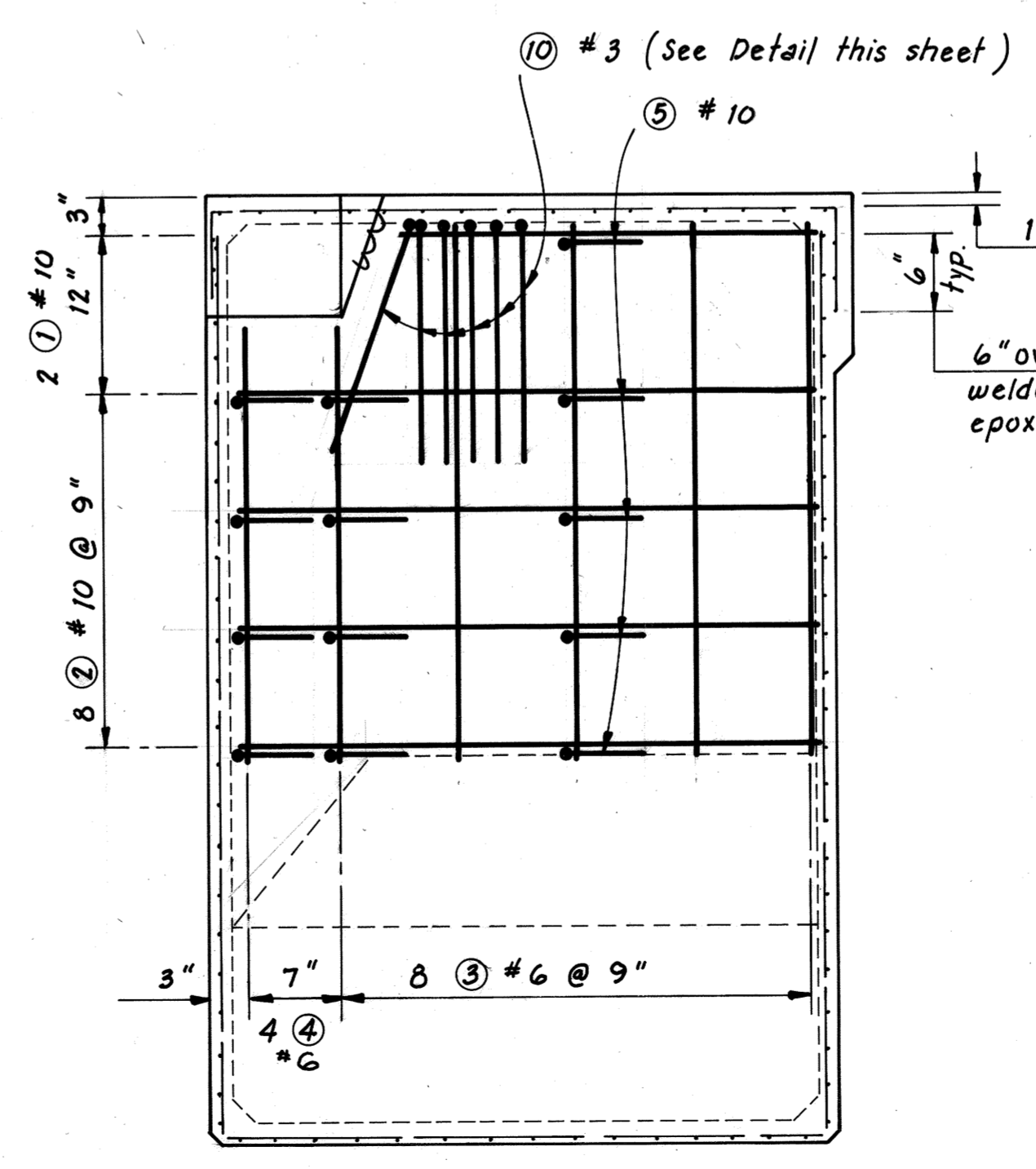
ELEVATION
1" = 1'-0"



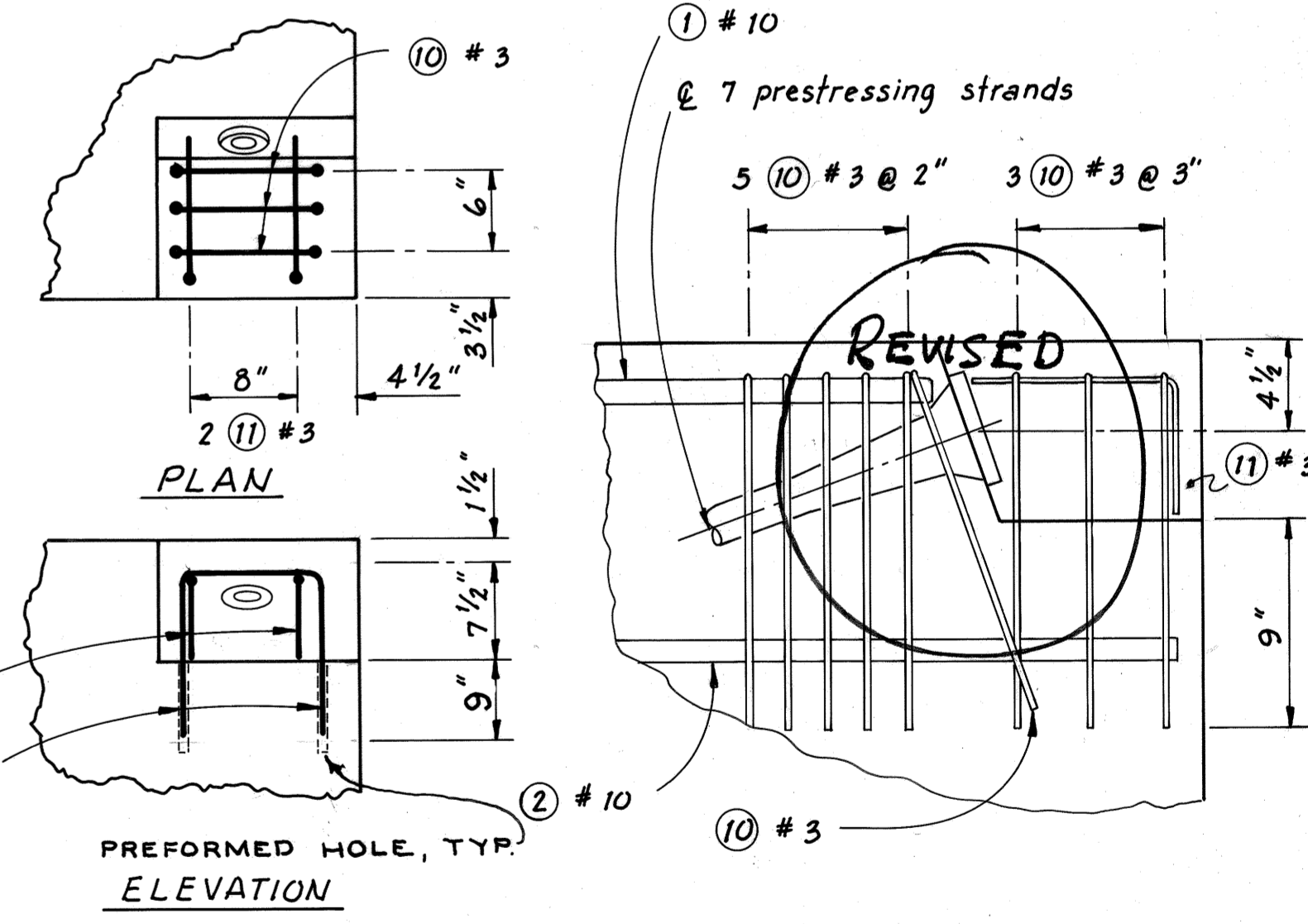
PROFILE
1" = 1'-0"

BAR SCHEDULE

MARK NO.	LOCATION	SIZE	NO. REQ'D PER UNIT	BEND TYPE	DIMENSIONS (out to out)										APPROX. WEIGHT Lbs.				
					U		W		X		Y		Z			θ ₁ Deg.	θ ₂ Deg.	LENGTH	
					Ft.	In.	Ft.	In.	Ft.	In.	Ft.	In.	Ft.	In.				Ft.	In.
1	Upper Side Horizontal	10	4	50												2	8½	47	
2	Side Horizontal	10	16	54												4	1	281	
3	Vertical	6	34	50												3	4½	172	
4	Corner Vertical	6	8	50												2	8	32	
5	Corner Diagonal	10	10	70				0	6	2	1½		45°	45°	3	11½	170		
6	Upper Interior End Horizontal	10	2	50				2	2							2	2	19	
7	Upper Exterior End Horizontal	10	2	50				2	9½							2	9½	24	
8	Interior End Horizontal	10	8	54				3	4½	0	6					3	8	126	
9	Exterior End Horizontal	10	8	54				4	0½	0	6					4	4	149	
10	Prestress Anchor	3	18	80						1	0	1	4			3	7	24	
11	Corner Pour Back	3	4	82						0	10	0	7			1	4	2	



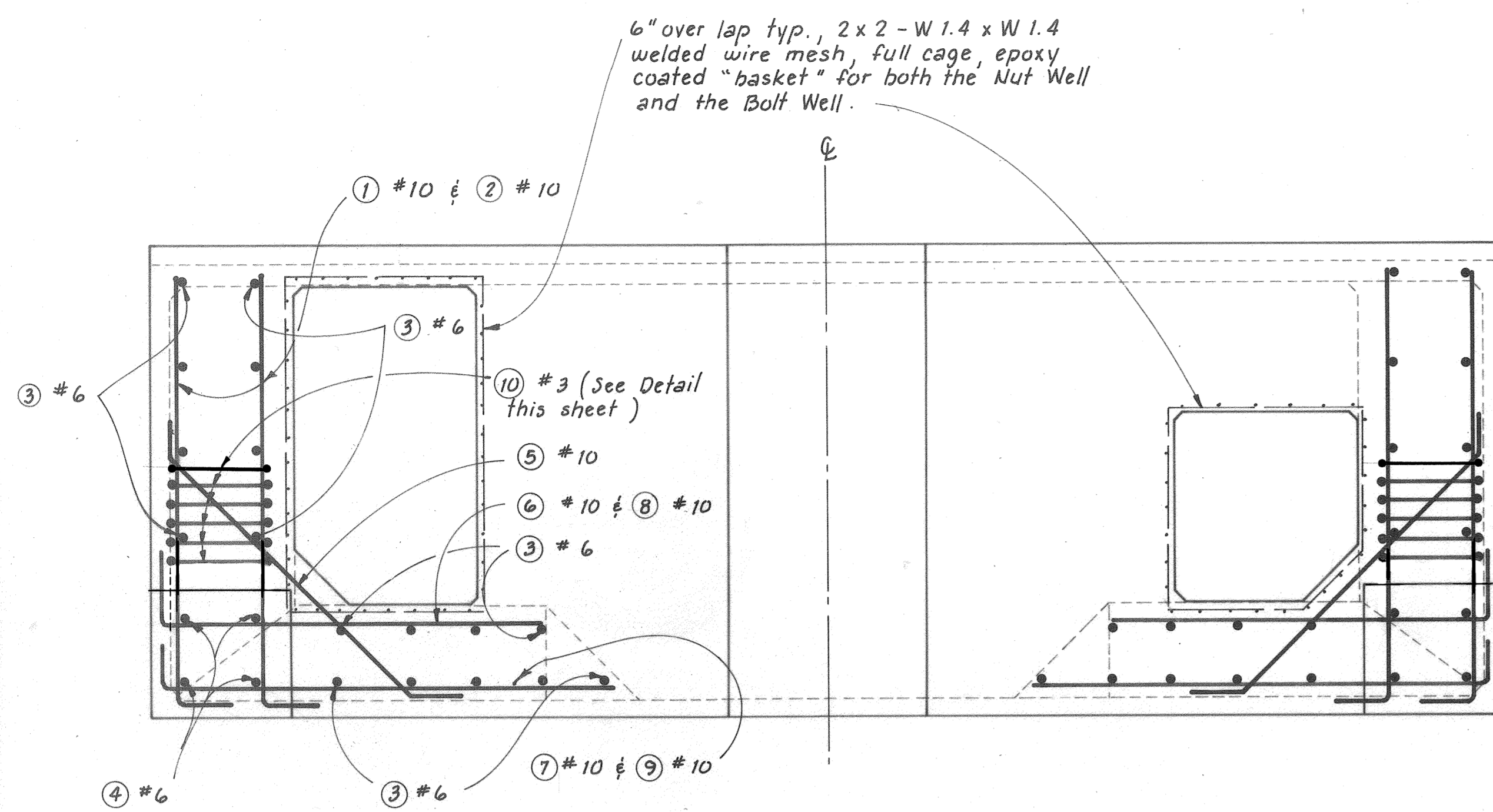
PROFILE
1" = 1'-0"



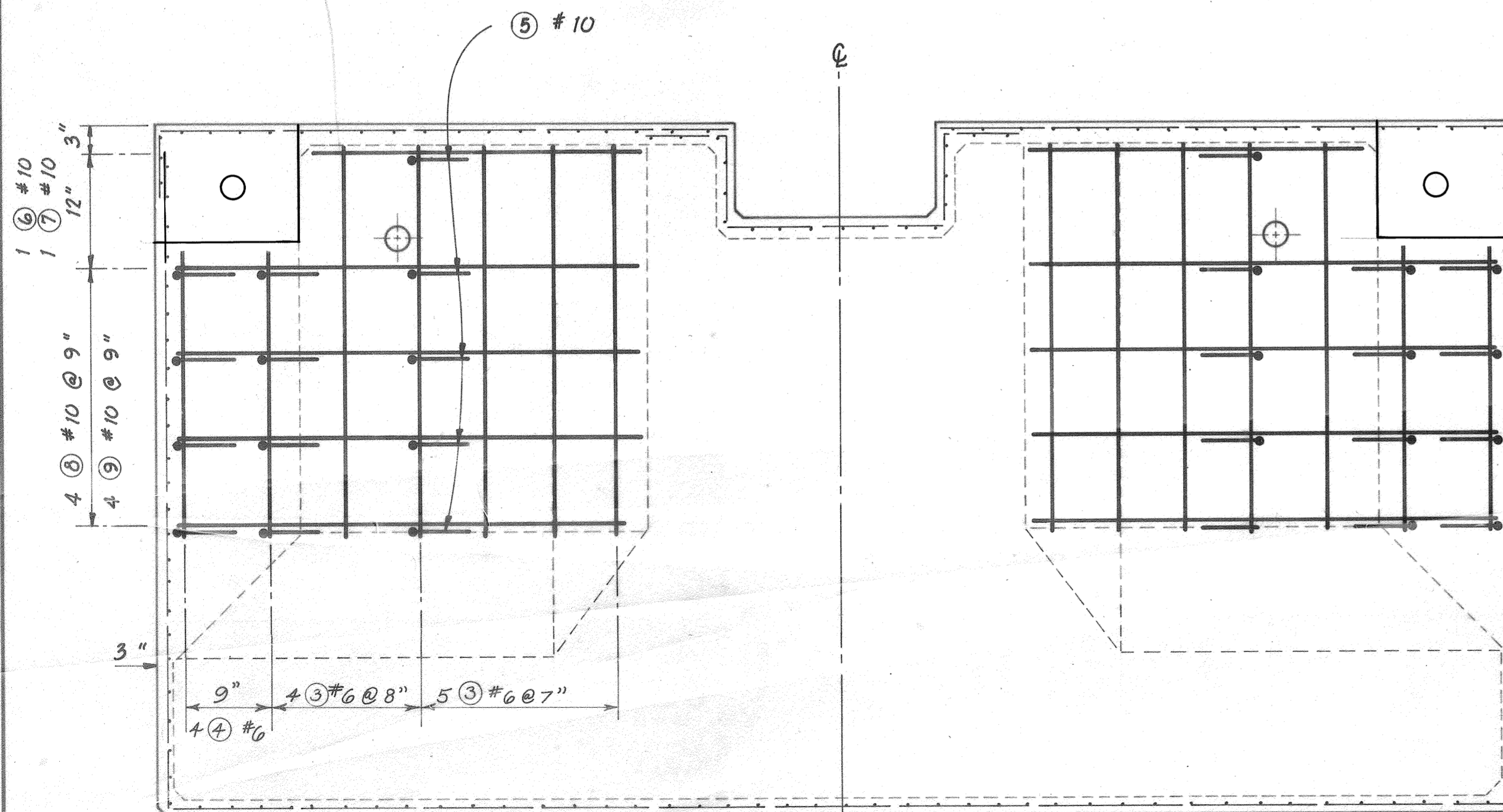
RECESSED CORNER DETAILS
Reinforcing bars 10 & 11 TO BE PROVIDED THIS CONTRACT AND INSTALLED AFTER TENSIONING IS COMPLETE.

As Constructed 4-8-87 DCW

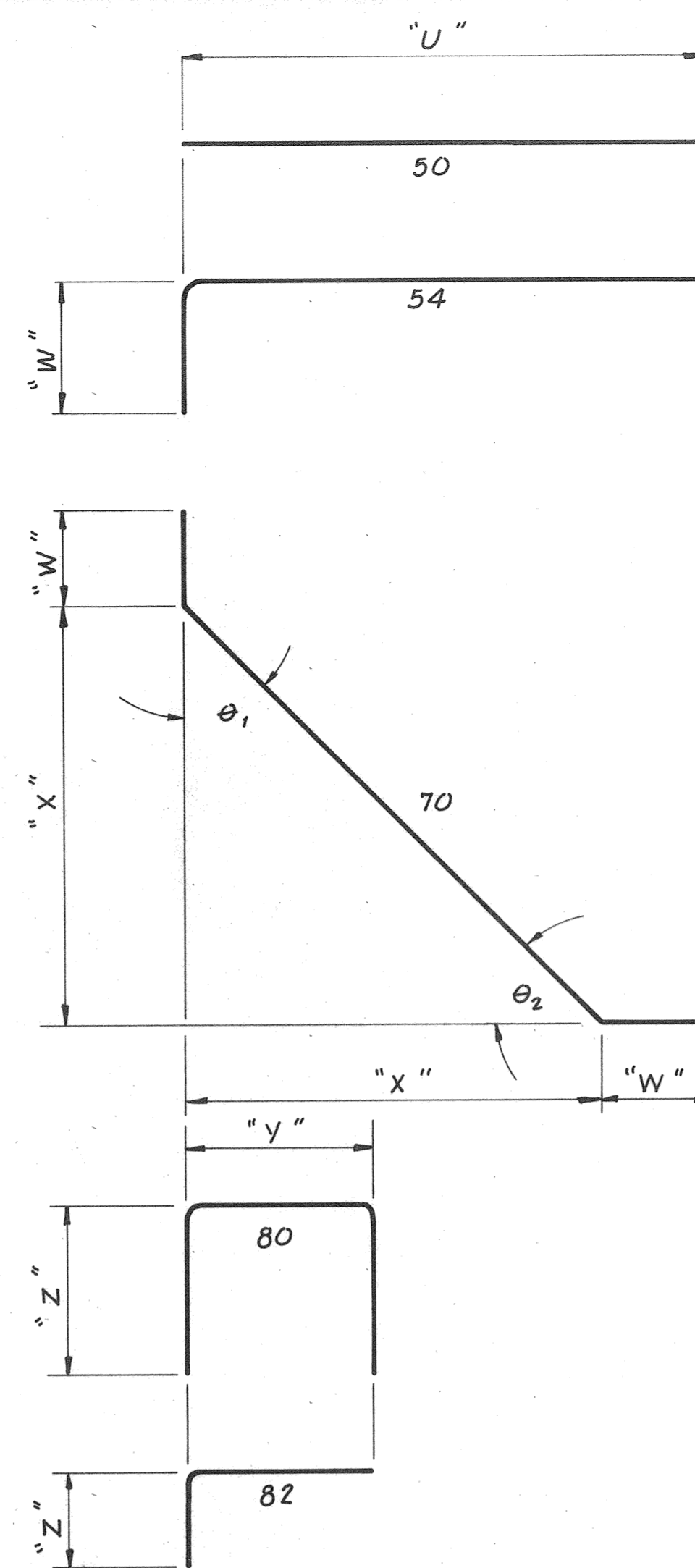
	DO NOT SCALE THIS DRAWING - USE DIMENSIONS			
	STATE OF ALASKA			
	DEPARTMENT OF TRANSPORTATION AND PUBLIC FACILITIES			
	Auke Bay		Alaska	
INTERMEDIATE TENSIONING UNIT REBAR DETAILS & SCHEDULE				
DESIGNED <u>DD</u>	CHECKED <u>JDB</u>	DRAWN <u>TS</u>	DATE <u>8-86</u>	
PROJECT NUMBER <u>69244</u>	SHEET <u>4</u> OF <u>4</u>			



PLAN VIEW
1" = 1'-0"



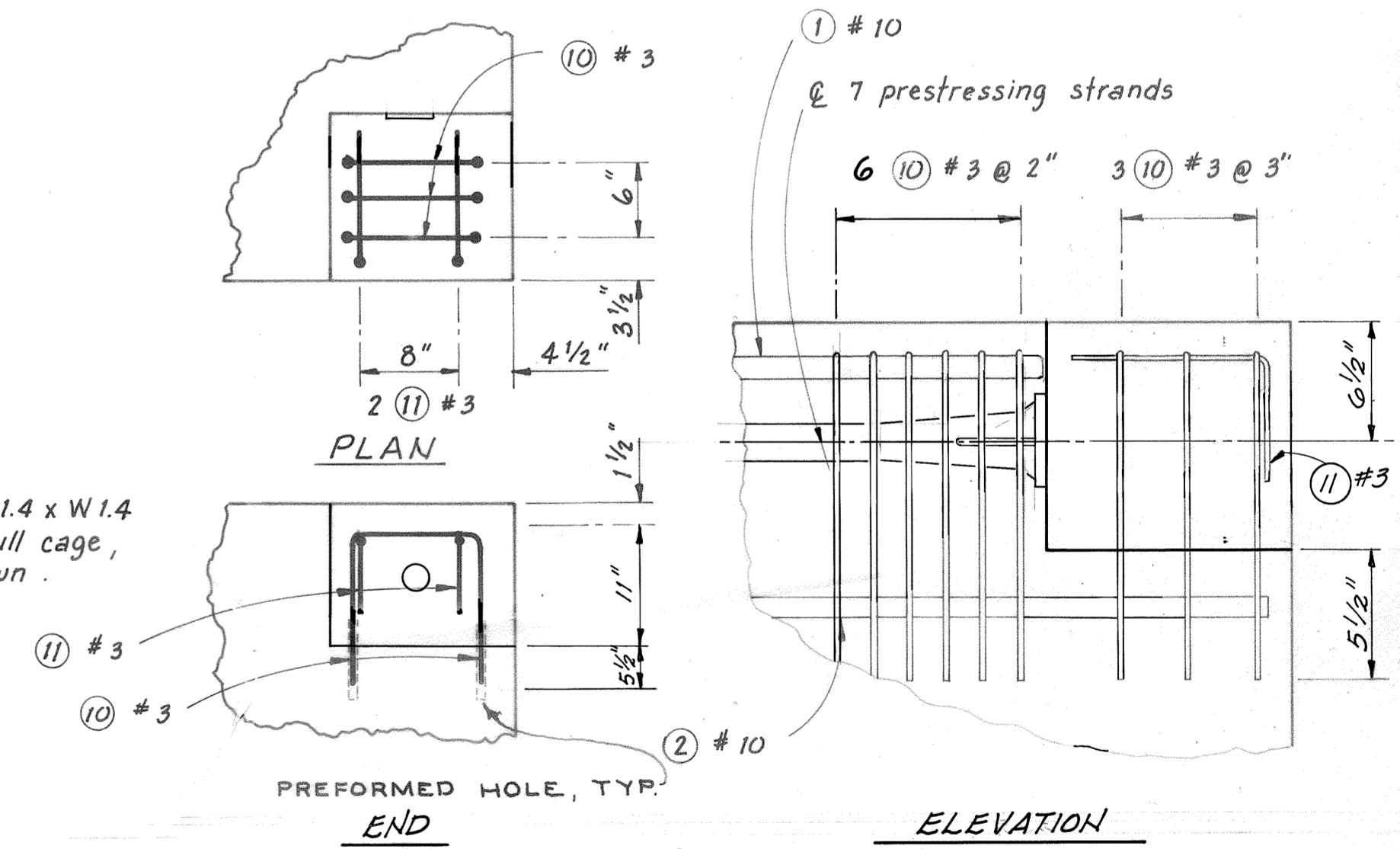
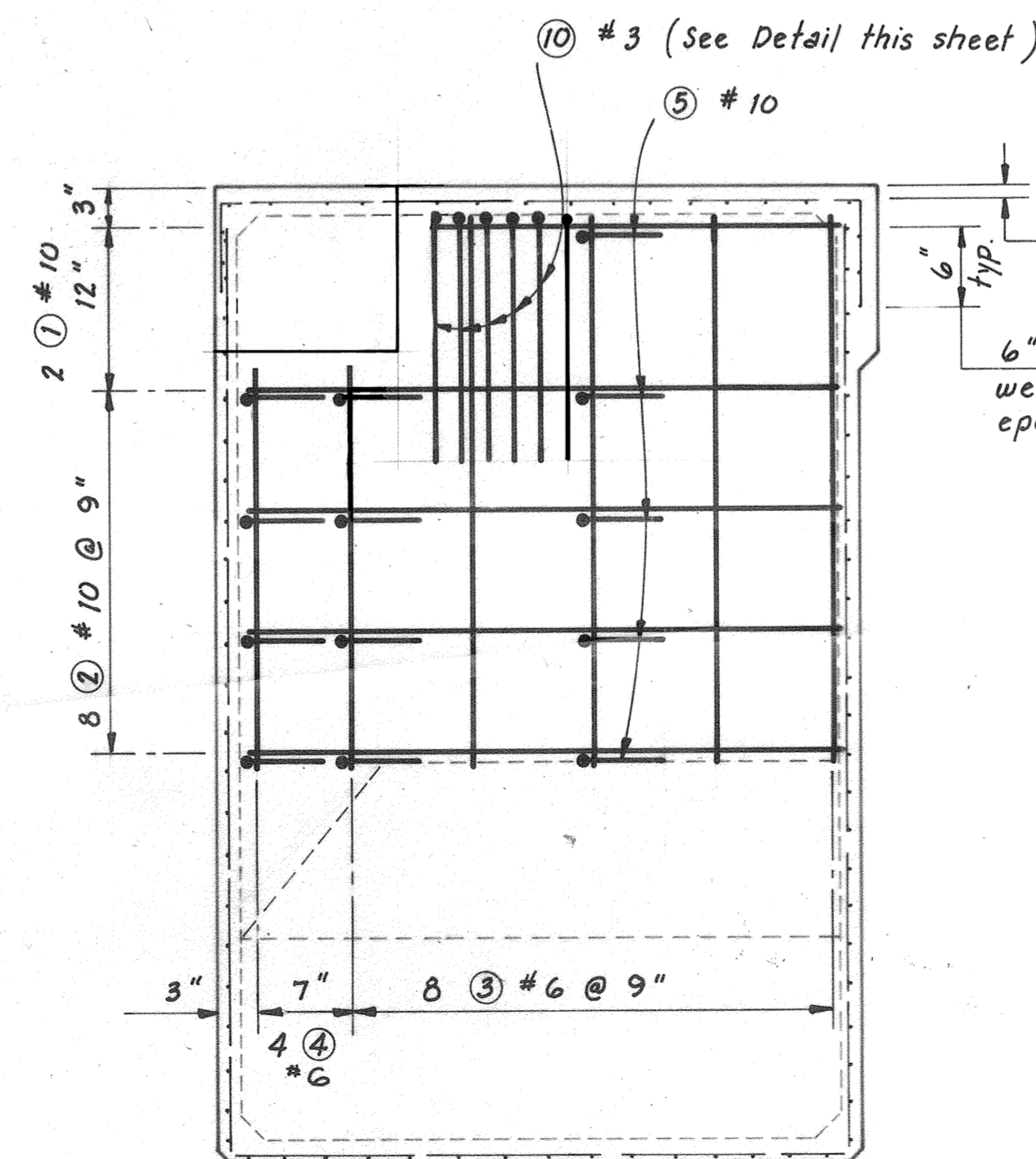
ELEVATION
1" = 1'-0"



PROFILE
1" = 1'-0"

BAR SCHEDULE

MARK NO.	LOCATION	SIZE	NO. REQ'D PER UNIT	BEND TYPE	DIMENSIONS (out to out)					θ ₁ Deg.	θ ₂ Deg.	LENGTH		APPROX. WEIGHT Lbs.				
					U	W	X	Y	Z			Ft.	In.					
					Ft.	In.	Ft.	In.	Ft.			In.	Ft.		In.			
1	Upper Side Horizontal	10	4	50								2	8 1/2	47				
2	Side Horizontal	10	16	54								4	1	281				
3	Vertical	6	34	50								3	4 1/2	172				
4	Corner Vertical	6	8	50								2	4 1/2	29				
5	Corner Diagonal	10	10	70			0	6	2	1 1/2	45°	45°	3	11 1/2	170			
6	Upper Interior End Horizontal	10	2	50								2	2	19				
7	Upper Exterior End Horizontal	10	2	50								2	9 1/2	24				
8	Interior End Horizontal	10	8	54								3	4 1/2	126				
9	Exterior End Horizontal	10	8	54								4	0 1/2	149				
10	Prestress Anchor	3	18	80								1	0	1	4	24		
11	Corner Pour Back	3	4	82								0	10	0	7	1	4	2



RECESSED CORNER DETAILS
Reinforcing bars ⑩ & ⑪ TO BE PROVIDED THIS CONTRACT AND INSTALLED AFTER TENSIONING IS COMPLETE.

As Constructed 4-8-87 DCW

	DO NOT SCALE THIS DRAWING - USE DIMENSIONS			
	STATE OF ALASKA			
	DEPARTMENT OF TRANSPORTATION AND PUBLIC FACILITIES			
	Auke Bay Alaska			
INTERMEDIATE TENSIONING UNIT REBAR DETAILS & SCHEDULE (REVISION)				
DESIGNED DD	CHECKED JDB	DRAWN T.S.	DATE 11-86	
PROJECT NUMBER 69244	SHEET 4(6) OF 4(6)			