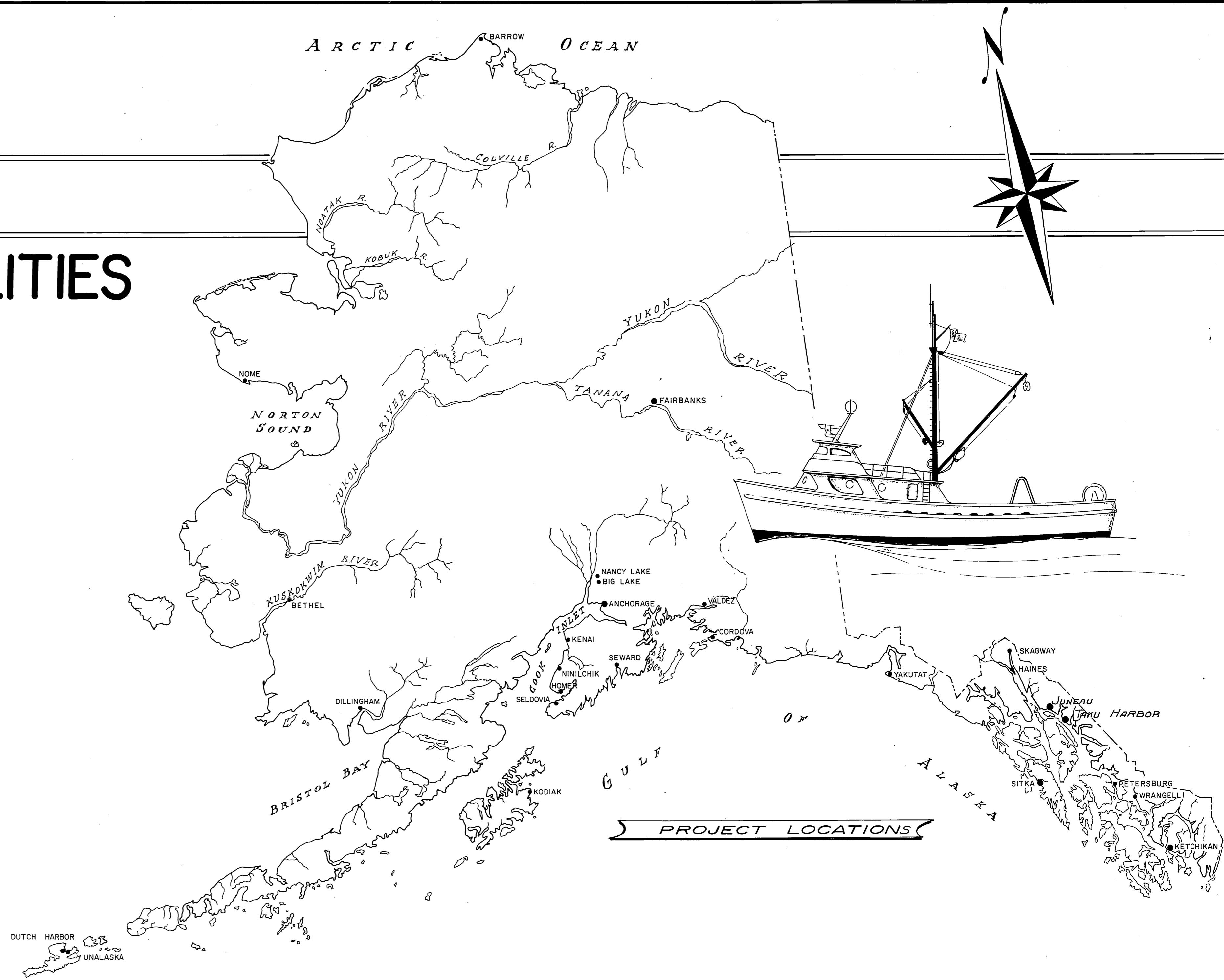


PROJECT NO. 3-73180
**JUNEAU-AURORA HARBOR FACILITIES
 &
 TAKU HARBOR REPAIRS**



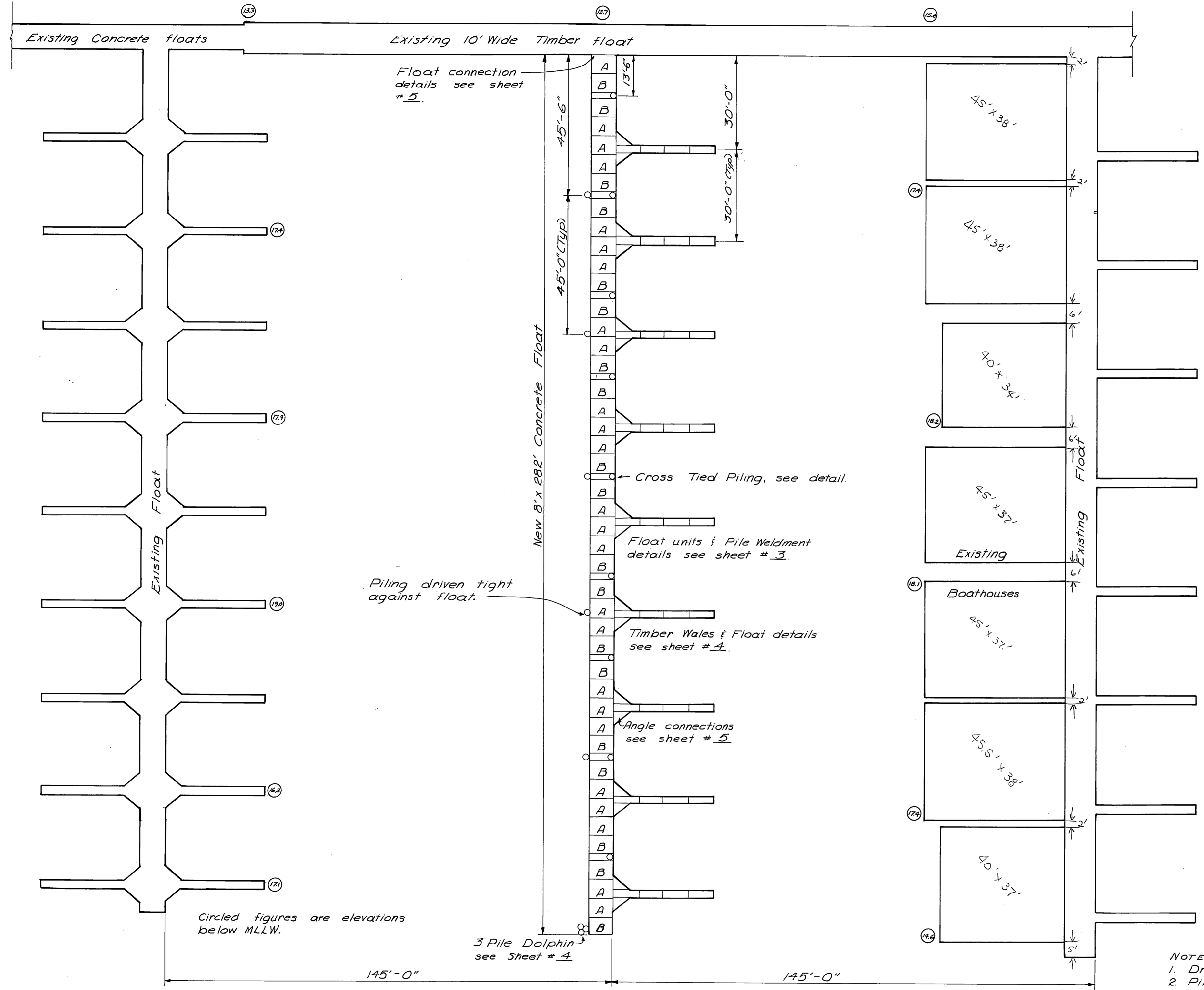
WORK SUMMARY
 Items of work include 2,196.3 sq. ft. of Concrete Float,
 1,188 lin. ft. of Crepsote treated Timber Float Piling,
 and repairs to existing Timber Floats at Taku Harbor.

AS BUILT

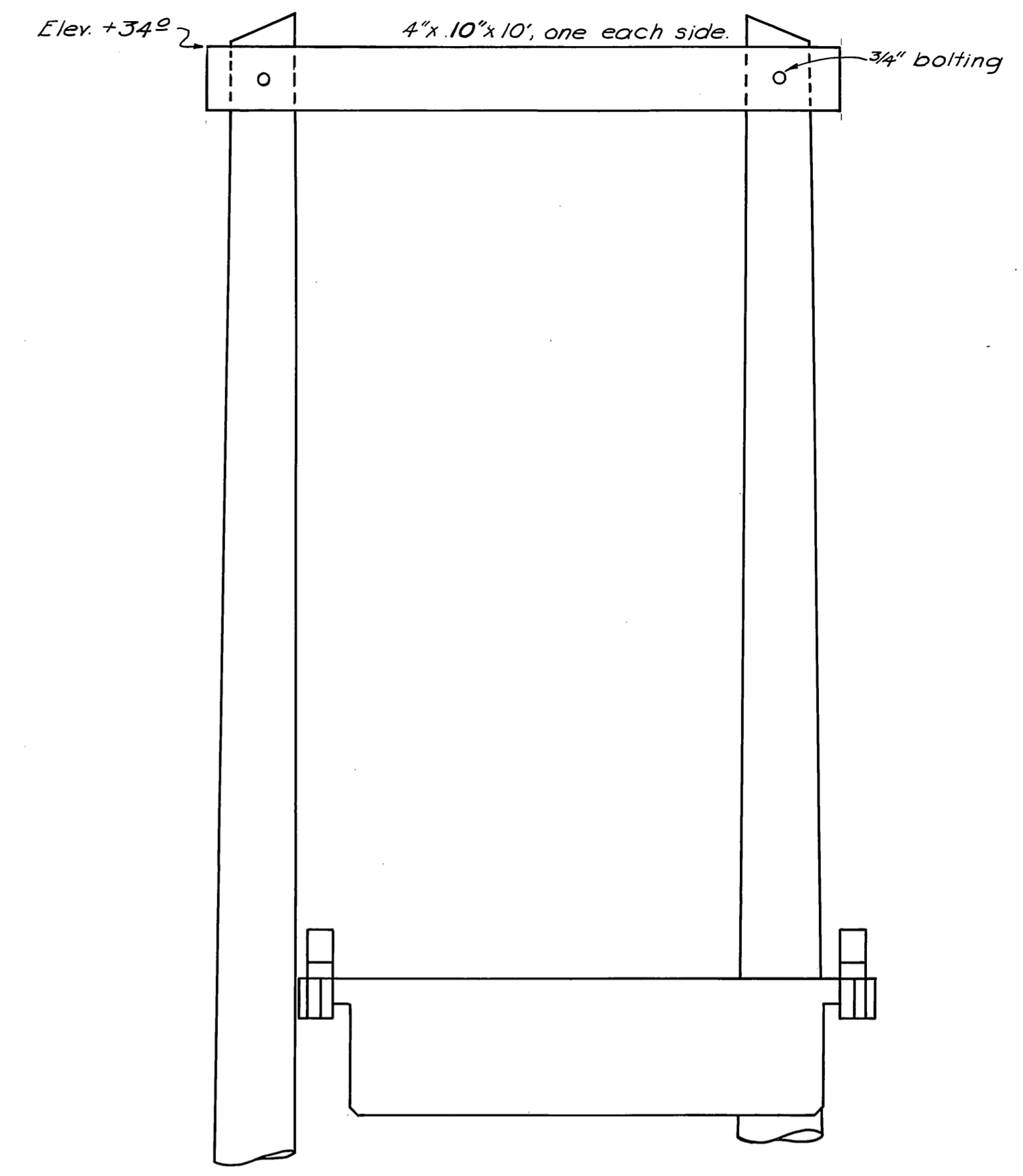
STATE OF ALASKA DEPARTMENT OF PUBLIC WORKS
DIVISION OF WATER & HARBORS

INDEX TO SHEETS	
1. TITLE SHEET	
2. PLAN VIEW	
3. TYPICAL CONCRETE FLOAT UNITS	
4. CONCRETE FLOAT DETAILS	
5. CONCRETE CONNECTION DETAILS	
6. TAKU HARBOR	

APPROVED
[Signature]
 DIRECTOR
 DATE 1/17/73
 SHEET 1 OF 6



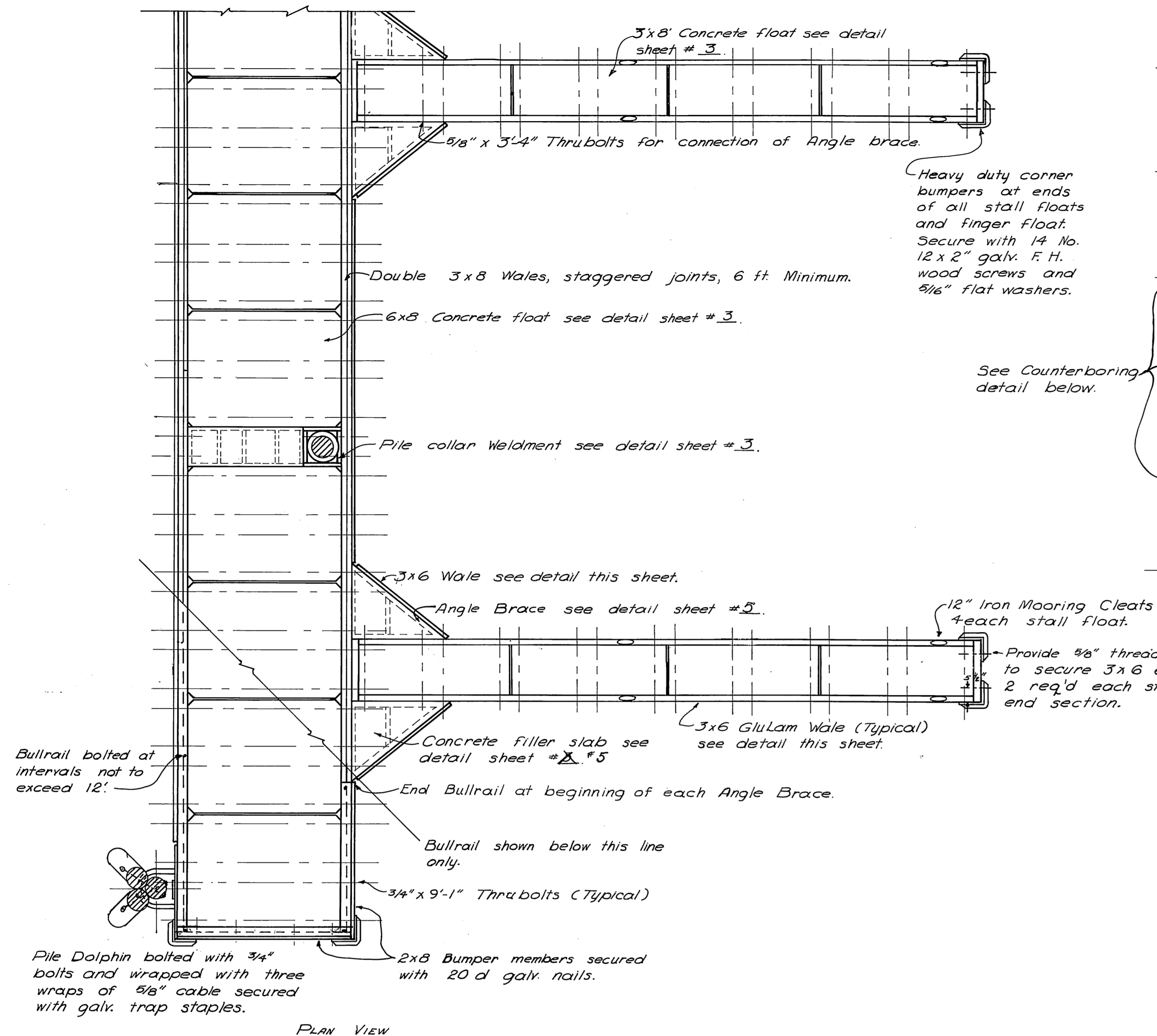
PLAN
Scale 1" = 20'-0"



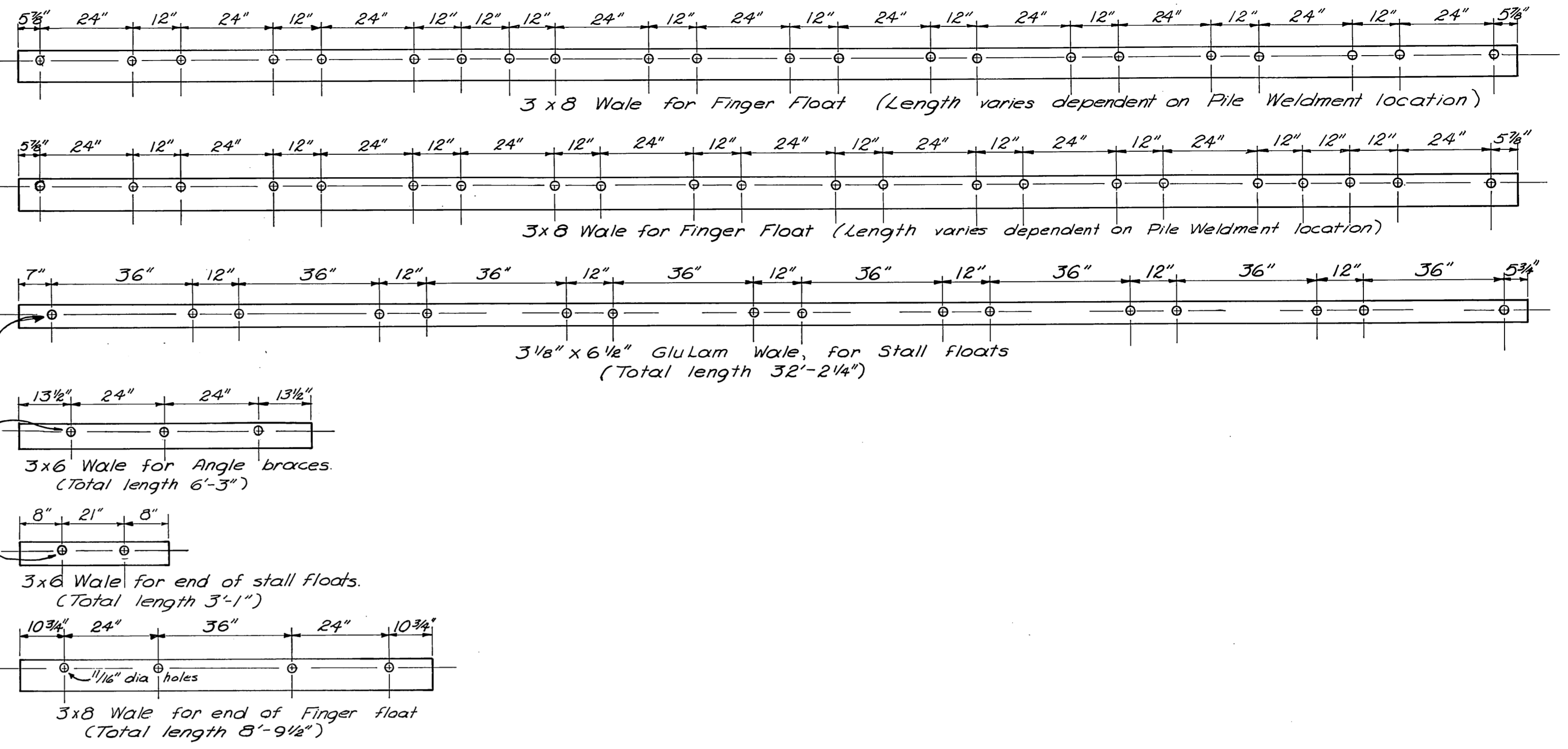
Cross Tied Piling Detail
Scale 1/2" = 1'-0"

NOTES:
1. Drive float piles butt down to 15" penetration, or refusal.
2. Pile Cut-off Elevation +34.2.

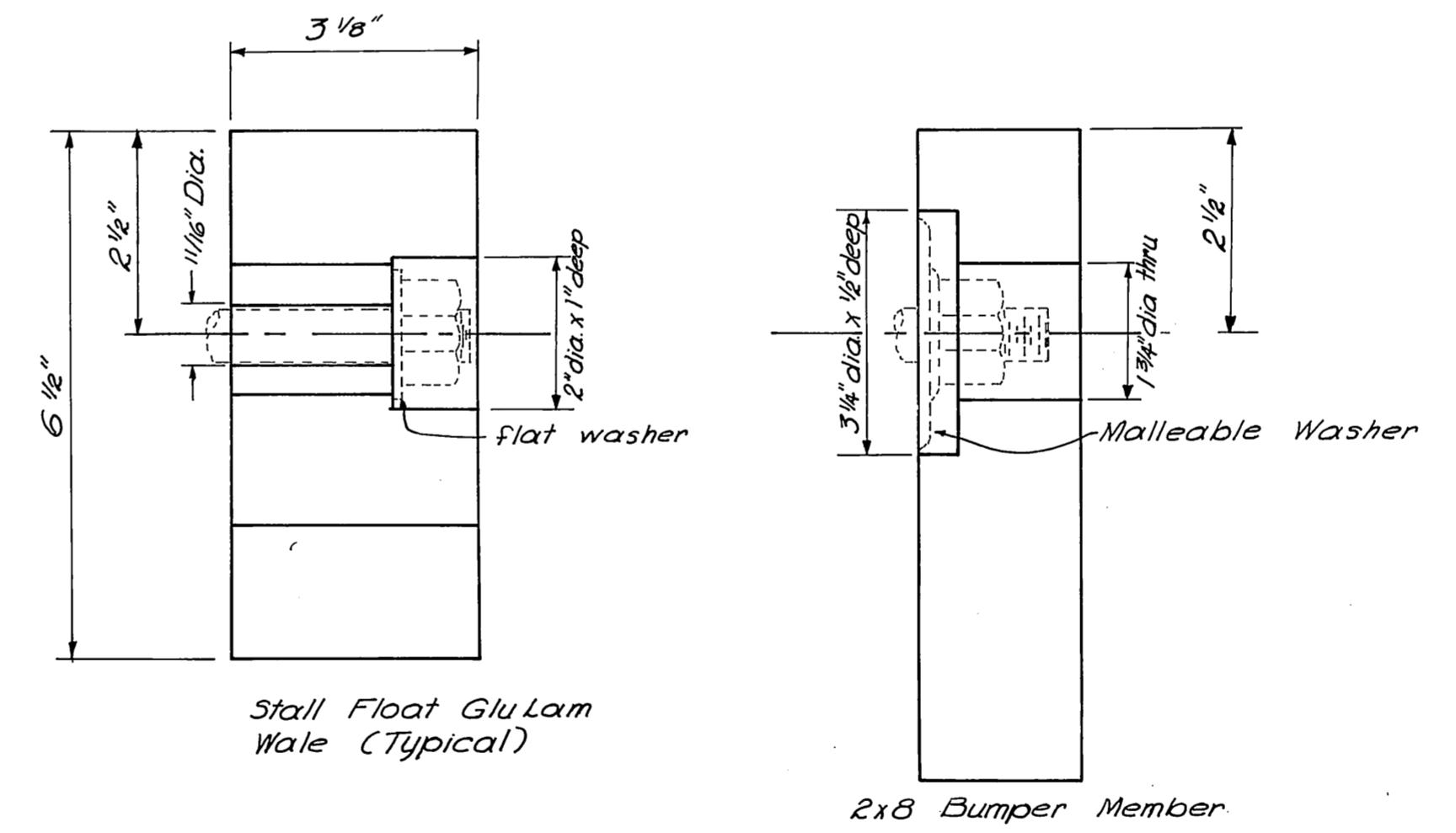
DO NOT SCALE THIS DRAWING - USE DIMENSIONS		
STATE OF ALASKA DEPARTMENT OF PUBLIC WORKS DIVISION OF WATER AND HARBORS		
JUNEAU - AURORA HARBOR		
PLAN VIEW		
SCALE <u>As Shown</u>	SURVEYED _____	APPROVED _____
DESIGNED <u>JDB</u>	DRAWN <u>JDB</u>	<u>DON STATTER</u> DIRECTOR
CHECKED _____	DATE <u>JAN 1973</u>	
PROJECT NUMBER <u>J-73108</u>	SHEET <u>2</u> OF <u>6</u>	



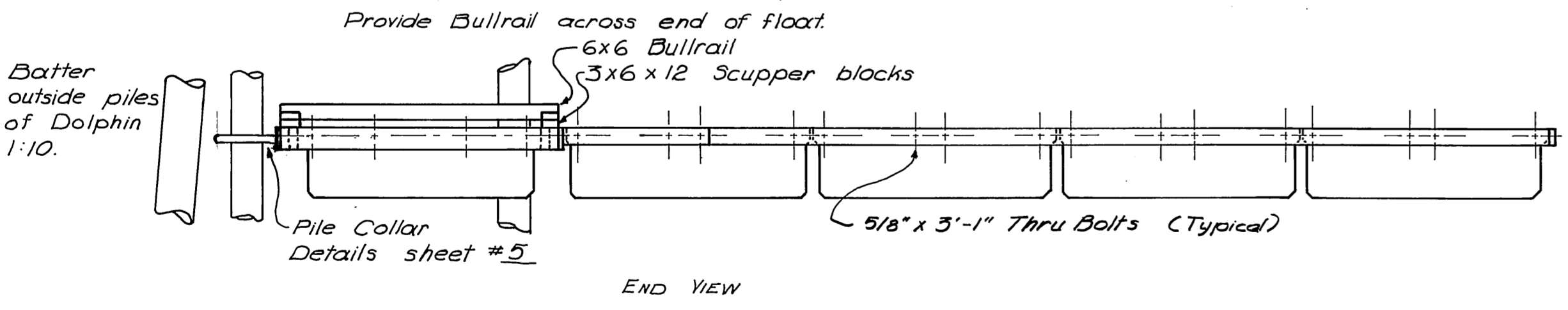
PLAN VIEW



TYPICAL WALES
Scale 1/2" = 1'-0"



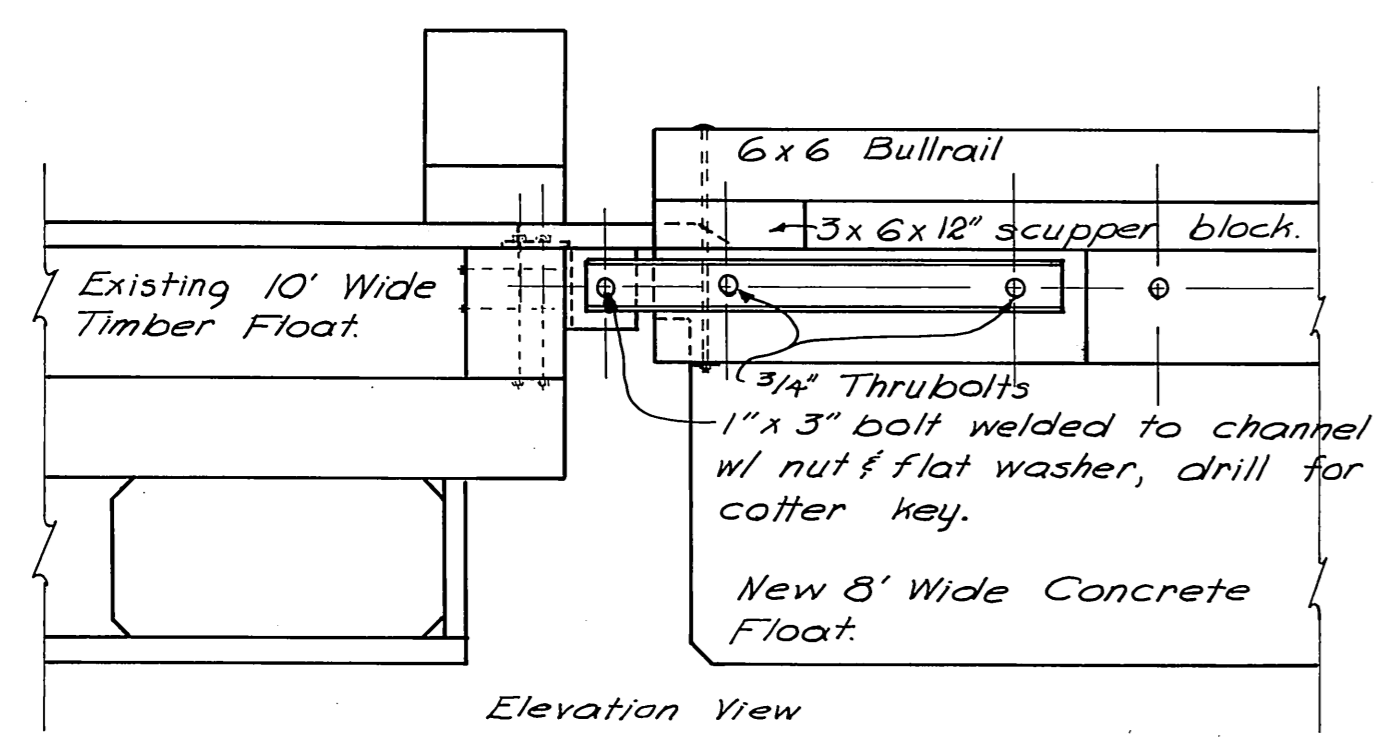
TYPICAL COUNTERBORING DETAILS
Half Size



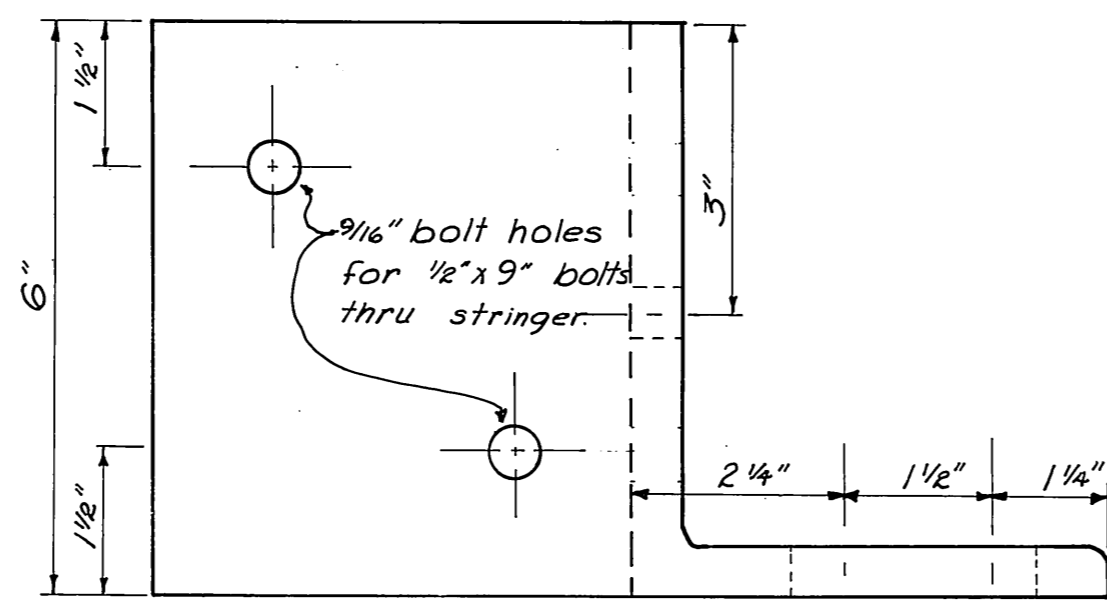
FLOAT ASSEMBLY DETAILS
Scale 1/4" = 1'-0"

END VIEW

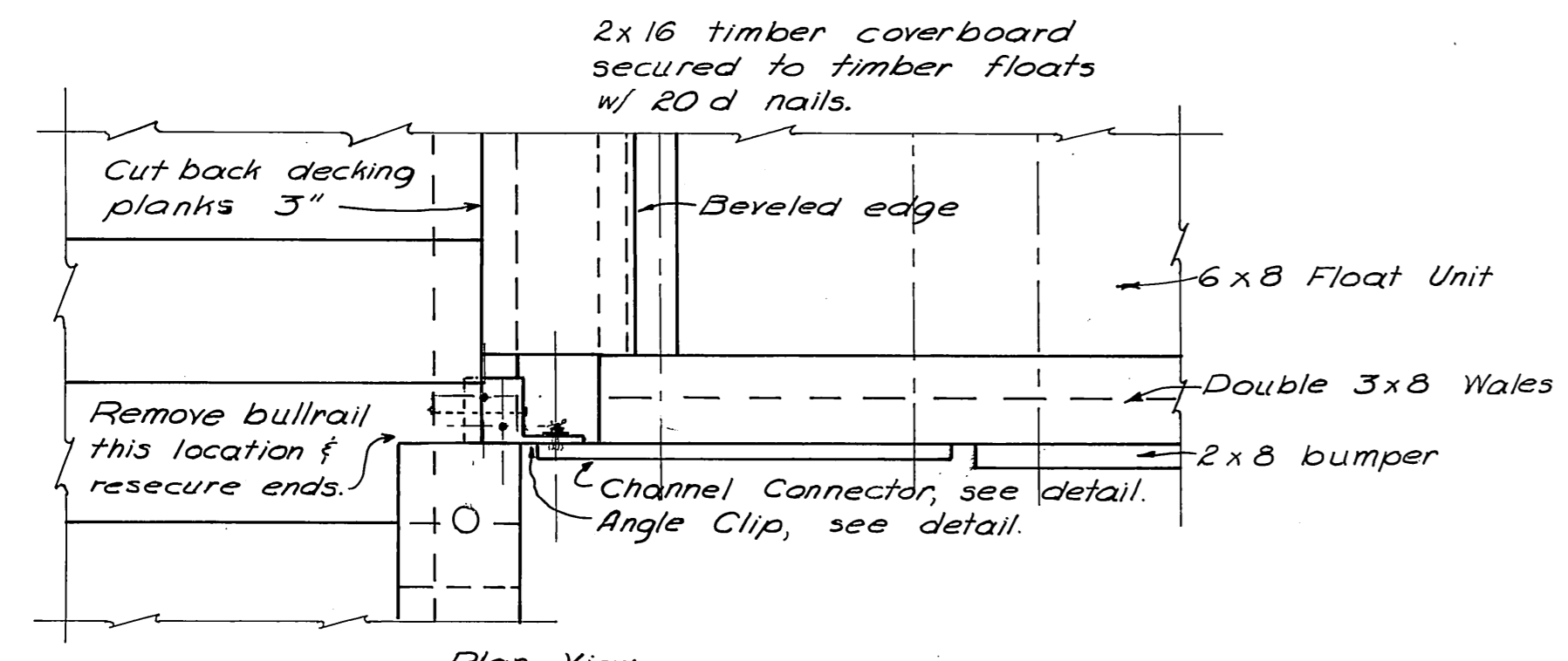
DO NOT SCALE THIS DRAWING - USE DIMENSIONS		
STATE OF ALASKA DEPARTMENT OF PUBLIC WORKS DIVISION OF WATER AND HARBORS		
CONCRETE FLOAT DETAILS		
SCALE <i>As shown</i>	SURVEYED _____	APPROVED _____
DESIGNED <i>JDB</i>	DRAWN <i>JDB</i>	<i>Don Statter</i> DIRECTOR
CHECKED _____	DATE <i>JAN '73</i>	
PROJECT NUMBER <i>7-73108</i>	SHEET <i>4</i> OF <i>6</i>	



Elevation View

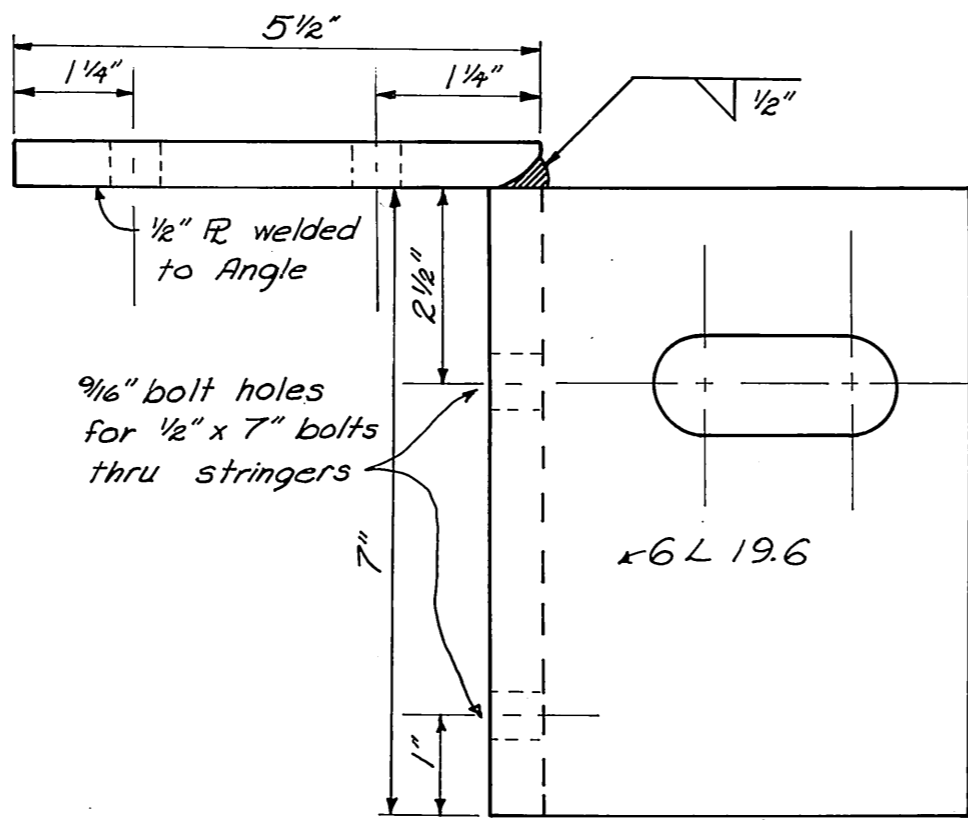


Top View



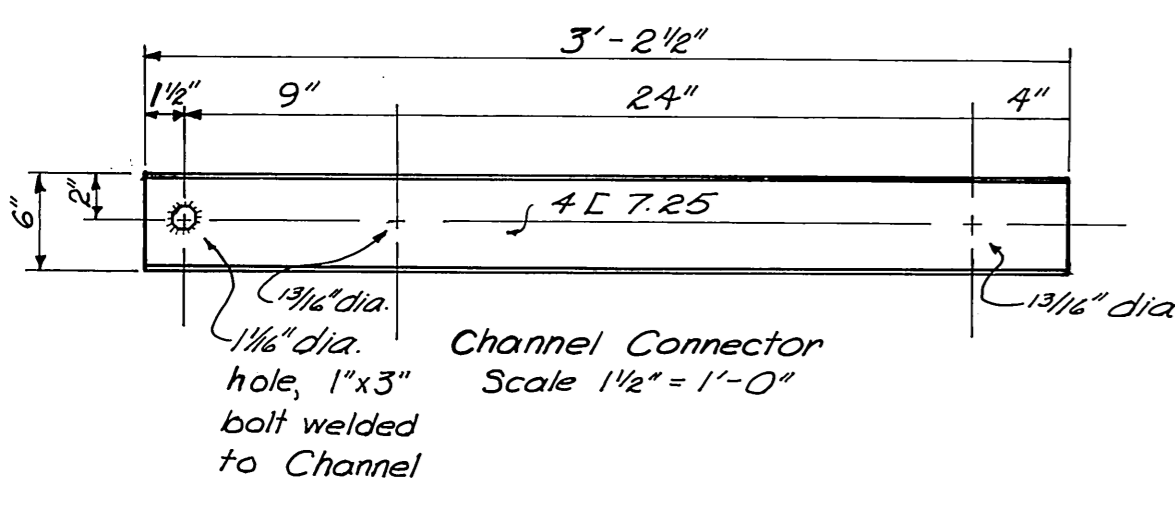
Plan View

FINGER FLOAT TO MAIN FLOAT CONNECTION DETAILS
Scale 1" = 1'-0"

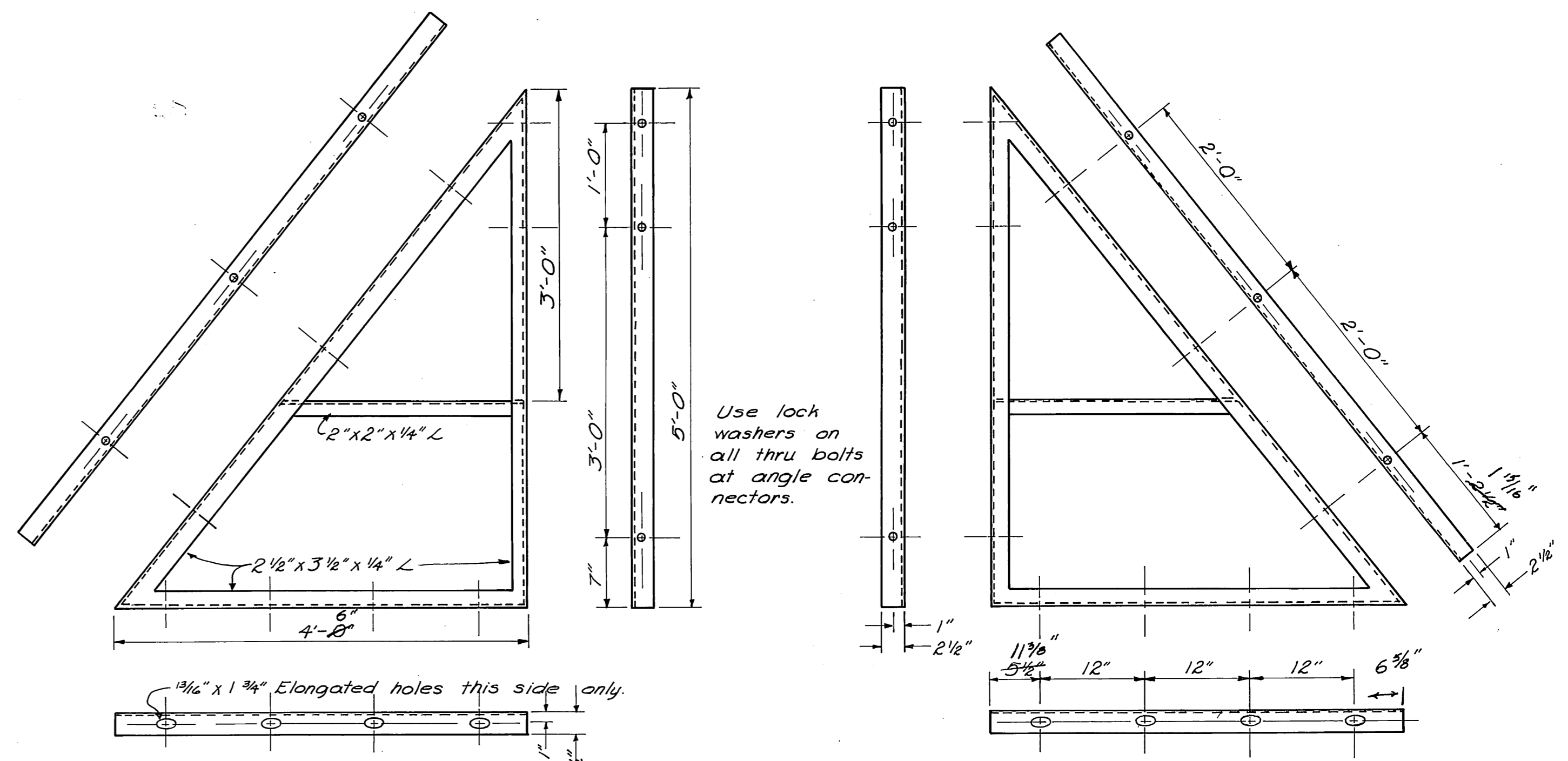


Side View

ANGLE CLIP
Scale Half Size

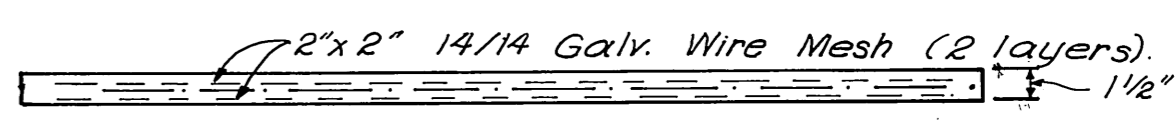
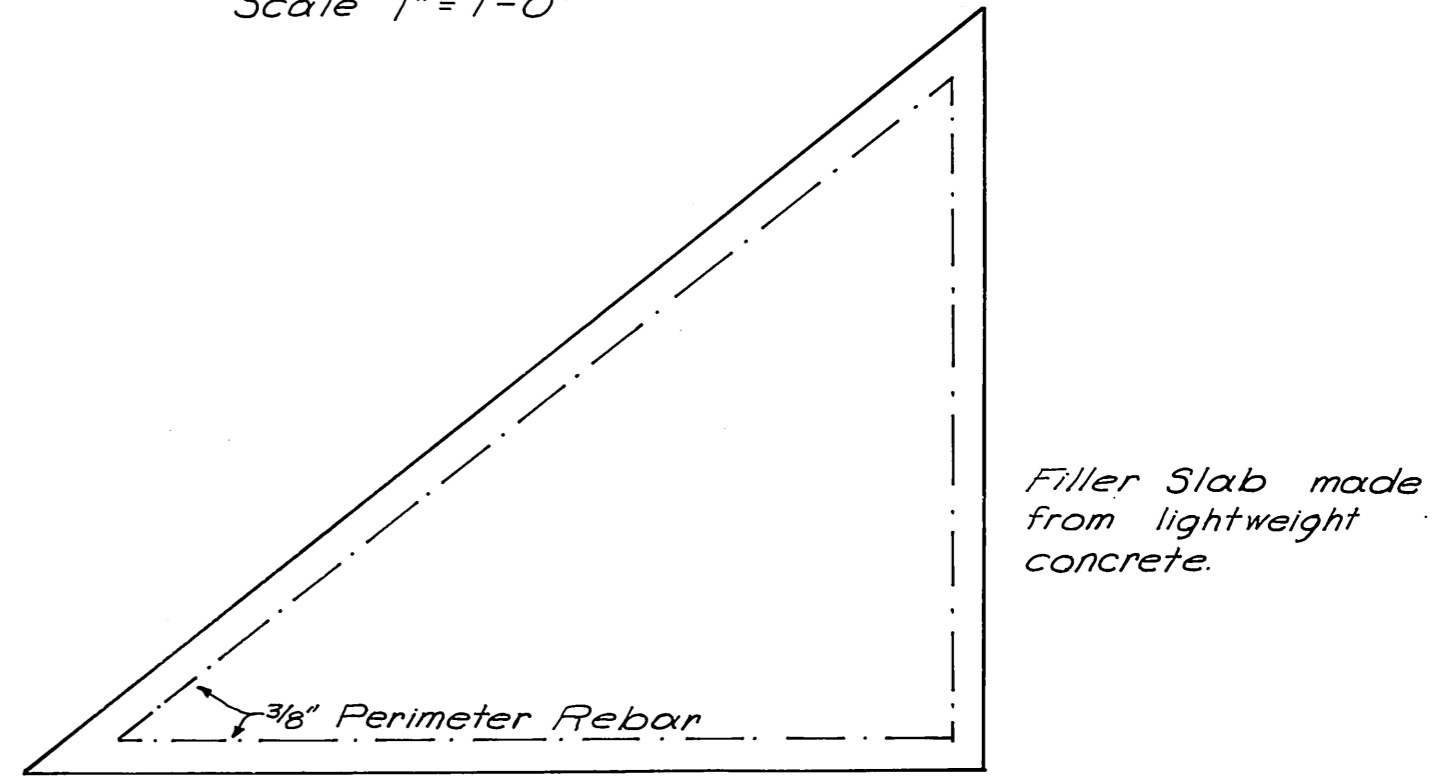


Channel Connector
Scale 1/2" = 1'-0"

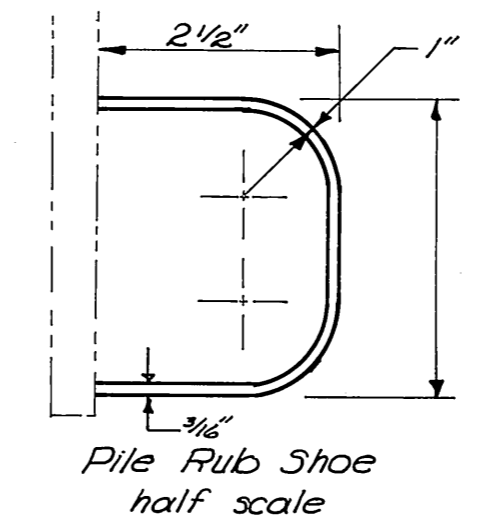
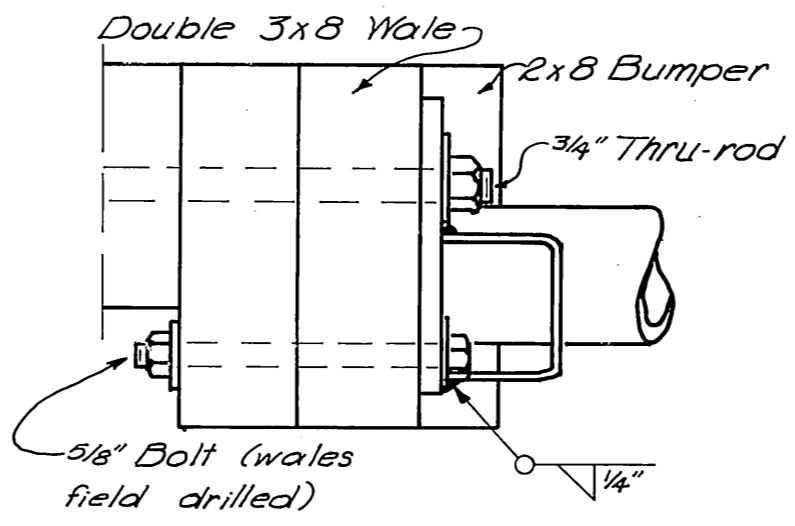
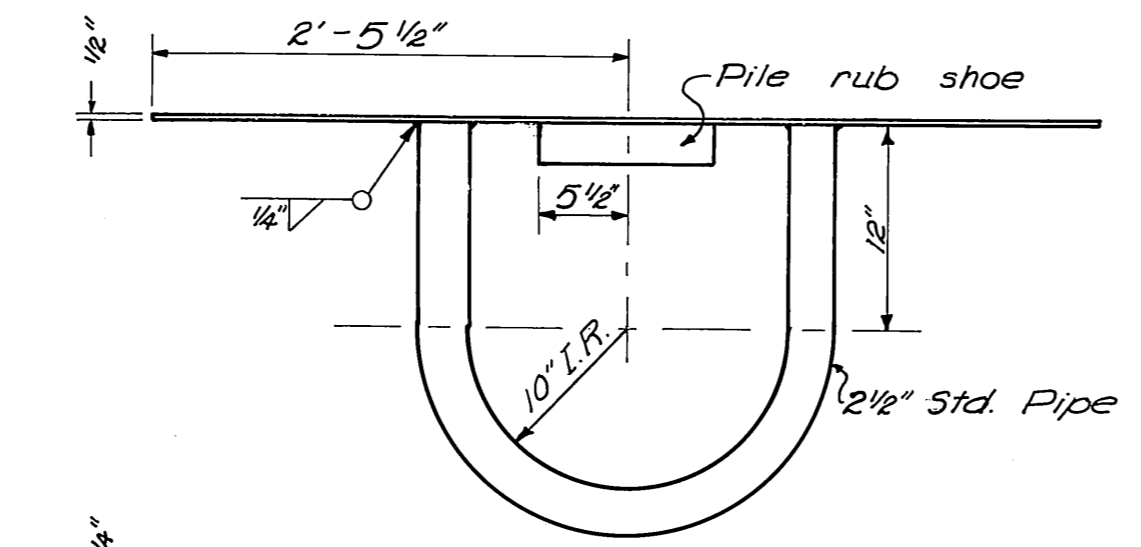


Dimension changes made by fabricator for unknown reasons on angle braces - error on their part
Angle concrete filler slabs had to be modified and reordered to fit modified angle braces

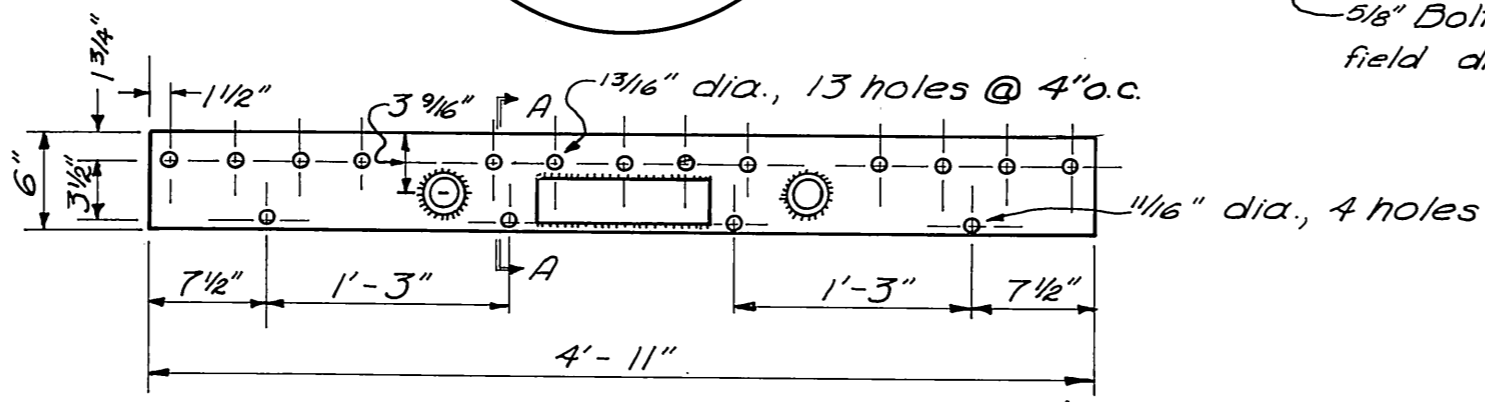
STALL FLOAT ANGLE BRACE
Scale 1" = 1'-0"



Concrete Filler Slab for Angle Brace
Scale 1" = 1'-0"

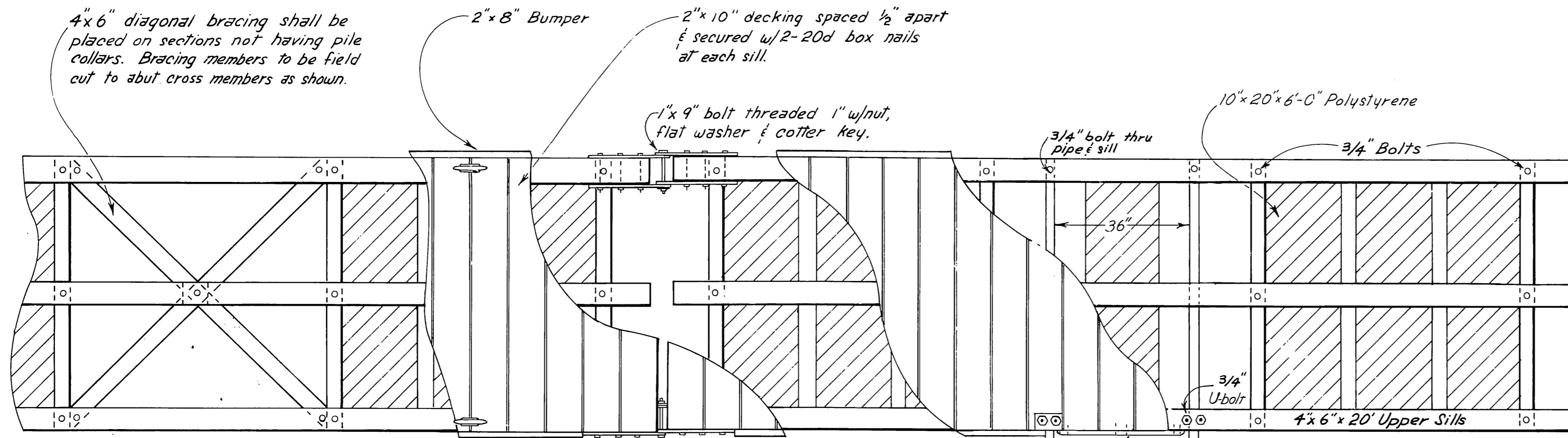


OUTSIDE PILE COLLAR



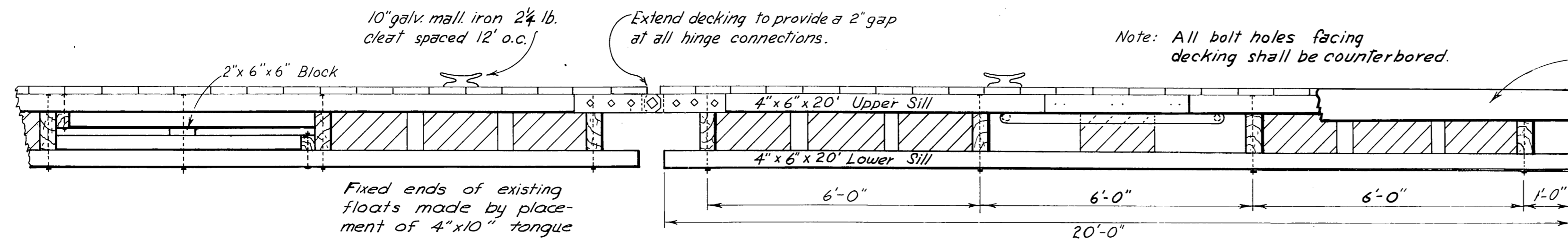
Assembly
Scale 1" = 1'-0"

DO NOT SCALE THIS DRAWING - USE DIMENSIONS		
STATE OF ALASKA DEPARTMENT OF PUBLIC WORKS DIVISION OF WATER AND HARBORS		
CONCRETE FLOAT CONNECTION DETAILS & OUTSIDE PILE COLLAR DETAILS		
SCALE <i>As Shown</i>	SURVEYED	APPROVED
DESIGNED JDB	DRAWN JDB	DON STATTER DIRECTOR
CHECKED	DATE JAN 1973	
PROJECT NUMBER 3-73180	SHEET 5 OF 6	



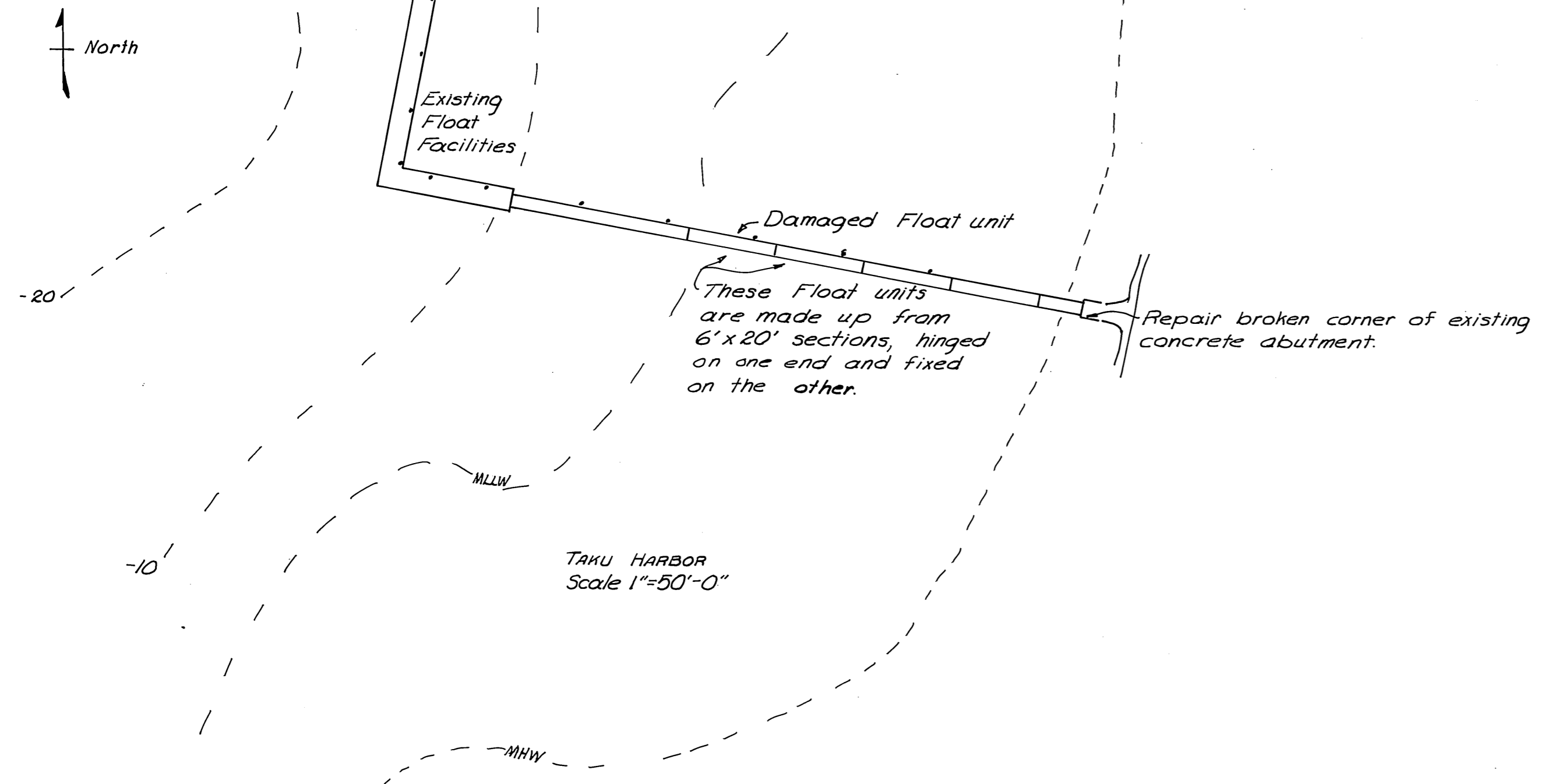
Note: All pile collars shall be secured in relation to the piling at low tide as shown in order to permit maximum horizontal float travel during high tide.

PLAN
1/2" = 1'-0"



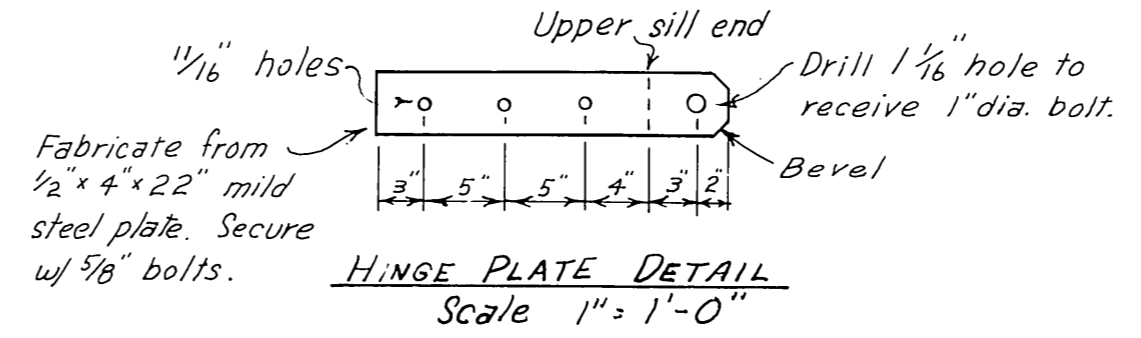
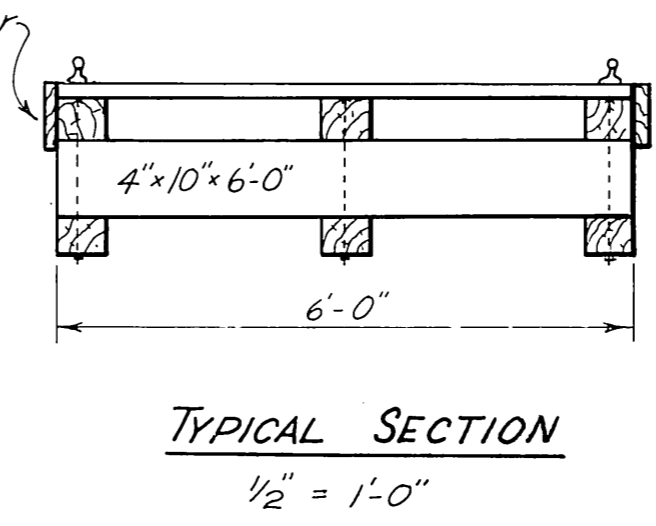
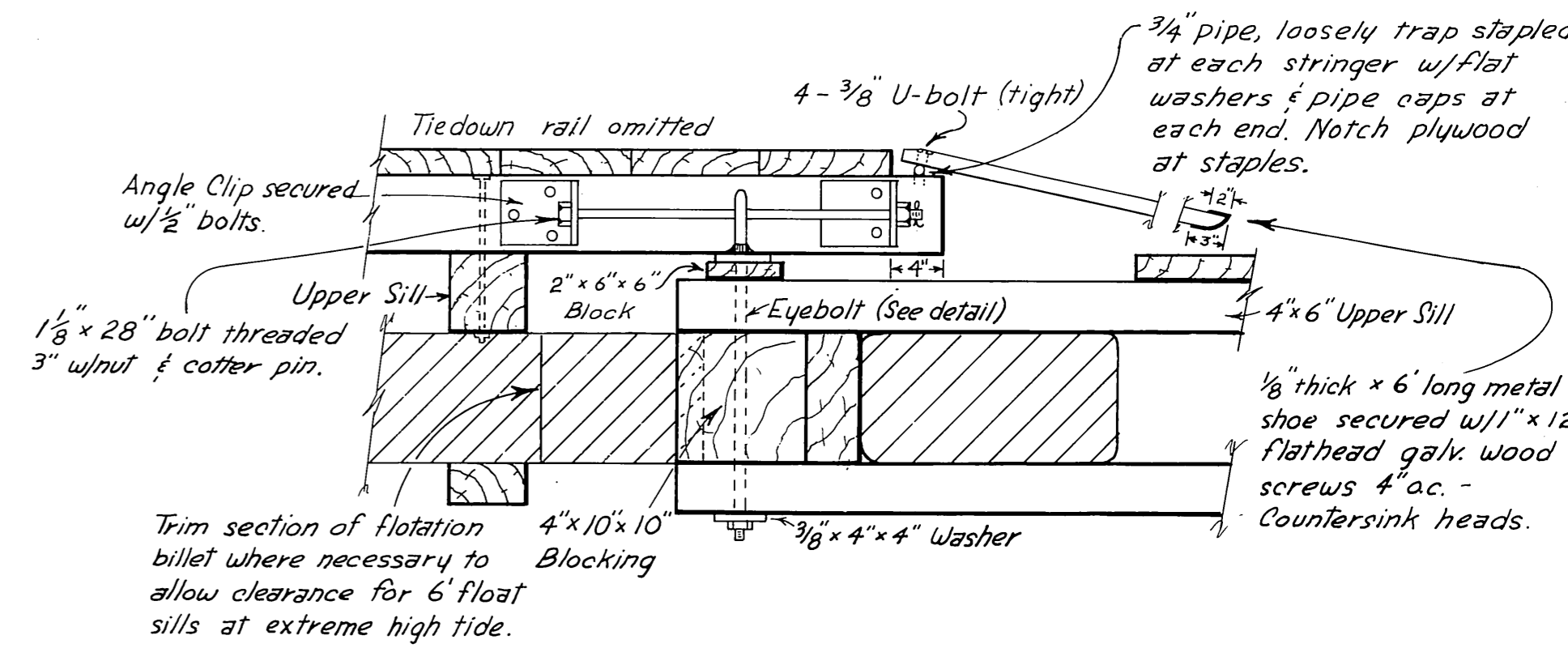
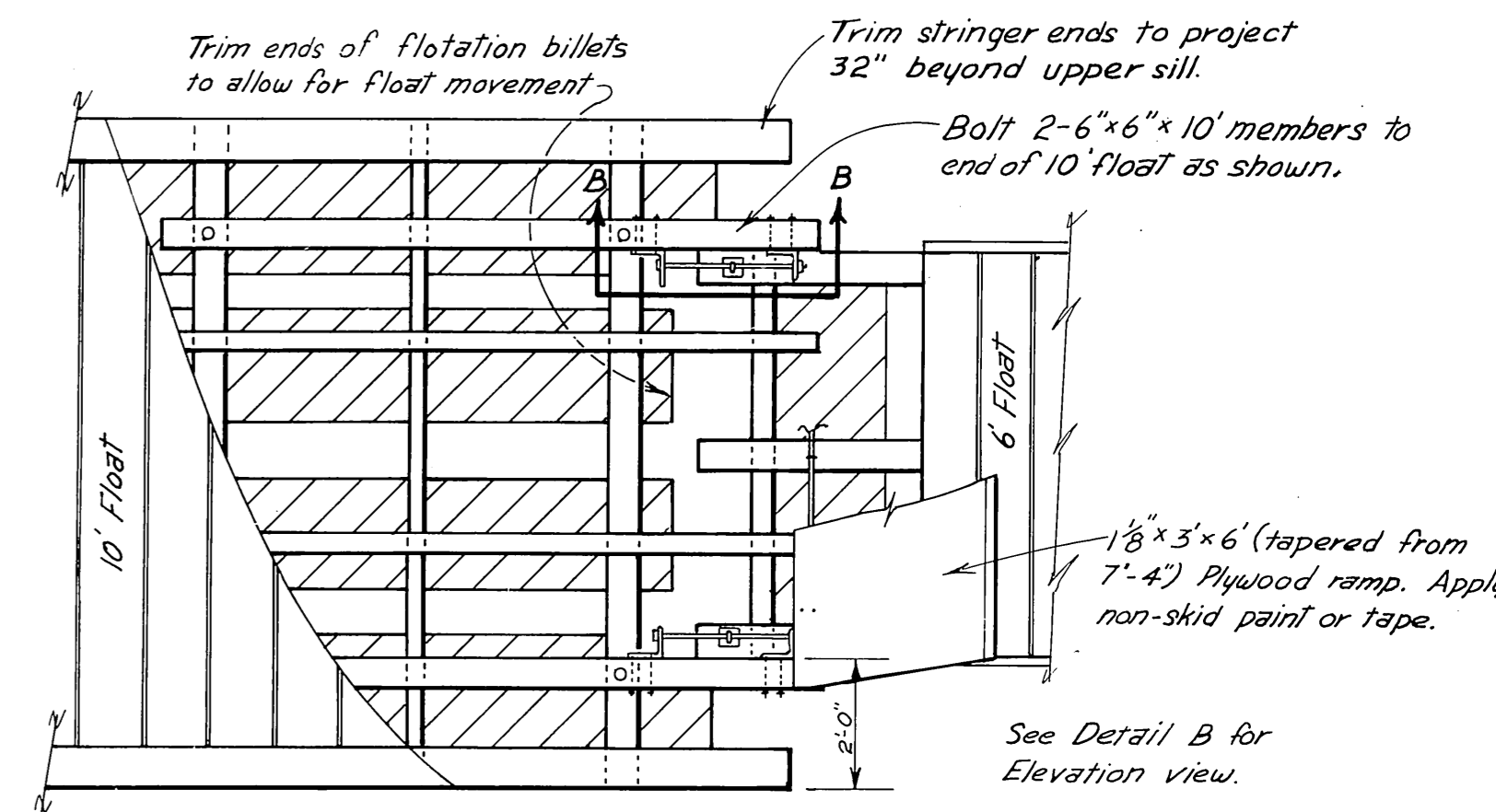
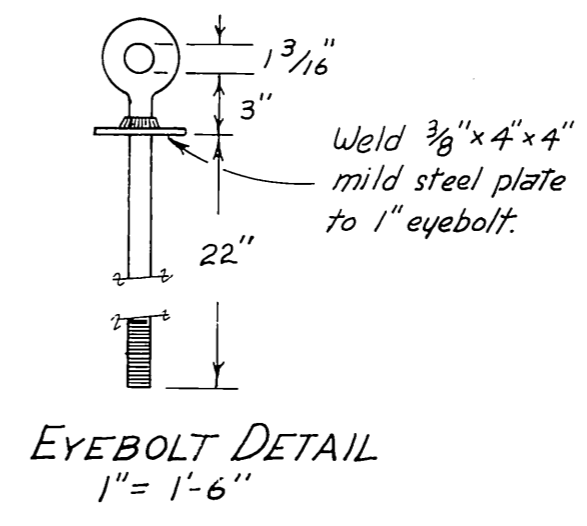
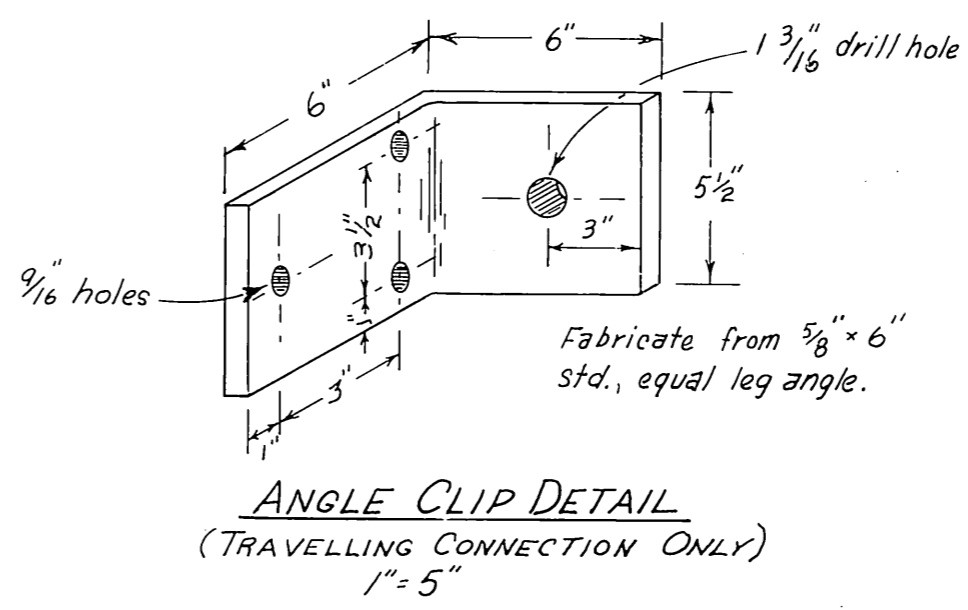
Fixed ends of existing floats made by placement of 4"x10" tongue member, between sections. Install hinge connections on repaired or new sections.

ELEVATION
1/2" = 1'-0"



DESCRIPTION OF WORK

Remove 2 damaged float sections, and proceed with either operation A, or B below.
 A) Disassemble top sills, & replace w/new sills drilled as above detailed, also provide 6 new pieces of 2x10x6'-0" decking, 2 additional 10"x20"x6'-0" flotation billets (one in each section), and 8 steel hinge plates. Existing hardware may be used in rebuilding sections, and replacing unit.
 B) Dispose of damaged unit, and build two new sections and connect to existing units.
 Also repair damaged concrete abutment, requiring the following materials, less than 1cy. of concrete, 6 feet of #3 reinforcing bar, and 1qt. of bonding agent.



MATERIALS

ITEM	DRESSING	TREATMENT
4x6" Sills	Rough	12" Ret. Creo.
4x10" Cross Members	Rough	12" Ret. Creo.
4x6" Diagonal Brace	Rough	12" Ret. Creo.
2x10" Decking	S-T-S-2-E	0.5" Penta
2x8" Bumpers	S-I-S-2-E	0.5" Penta
All lumber to be Select Structural No 1 Douglas Fir.		
All bolts to be 3/4" unless otherwise noted.		

DO NOT SCALE THIS DRAWING - USE DIMENSIONS

STATE OF ALASKA
DEPARTMENT OF PUBLIC WORKS
DIVISION OF WATER AND HARBORS

Taku Harbor - REPAIR OF DAMAGED SECTIONS

6' SECTIONAL FLOAT

SCALE As Shown	SURVEYED	APPROVED
DESIGNED	DRAWN C.E.D.	DON STATTER
CHECKED DSM	DATE Aug. 1971	DIRECTOR
PROJECT NUMBER 3-73180	SHEET 6 OF 6	