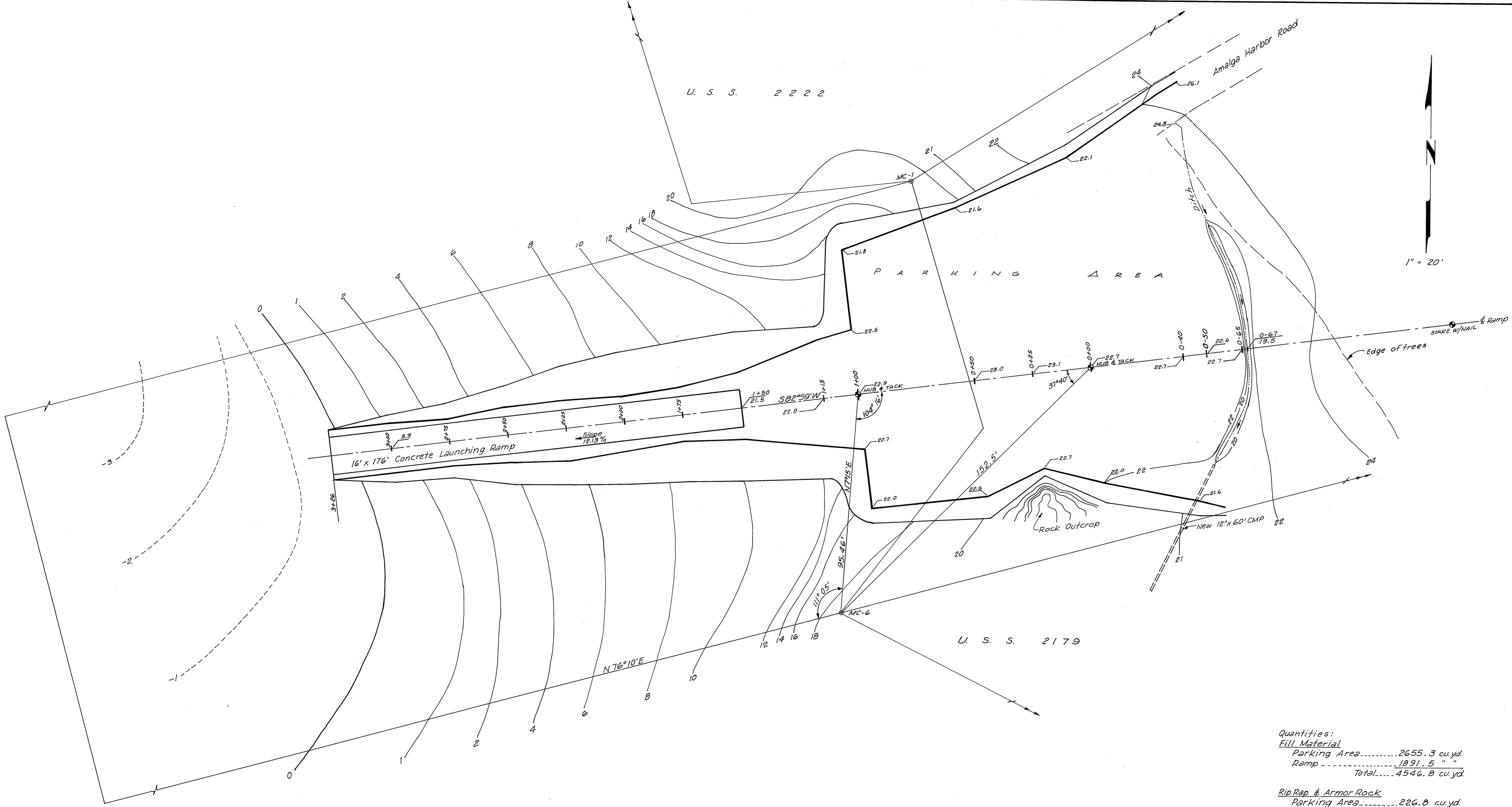


U. S. S. 2222

U. S. S. 2179

1" = 20'

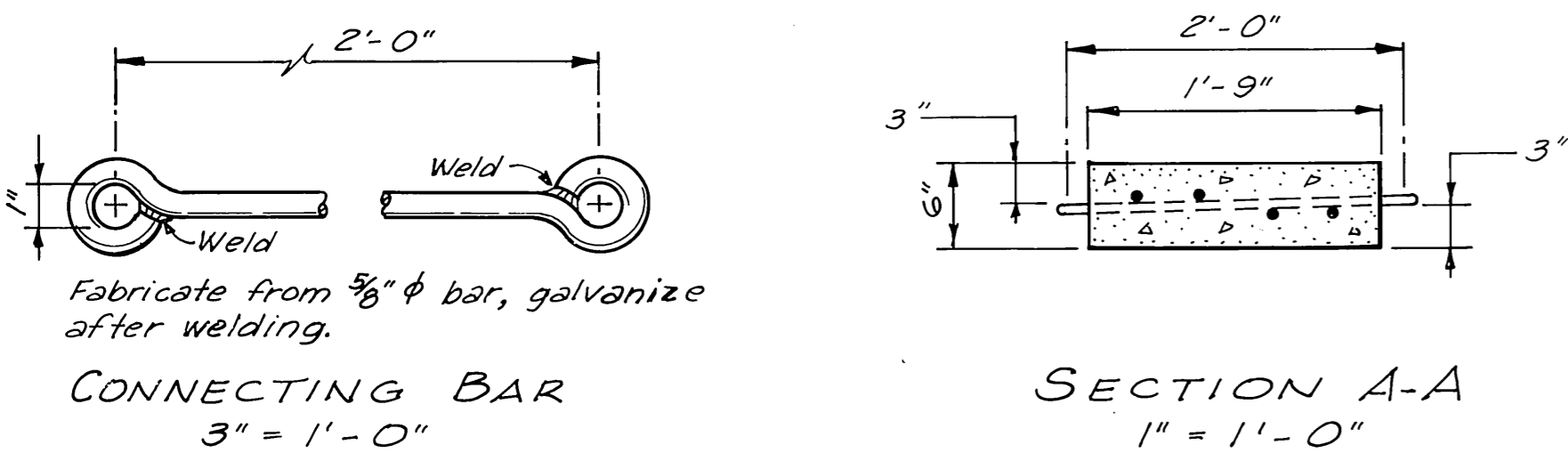
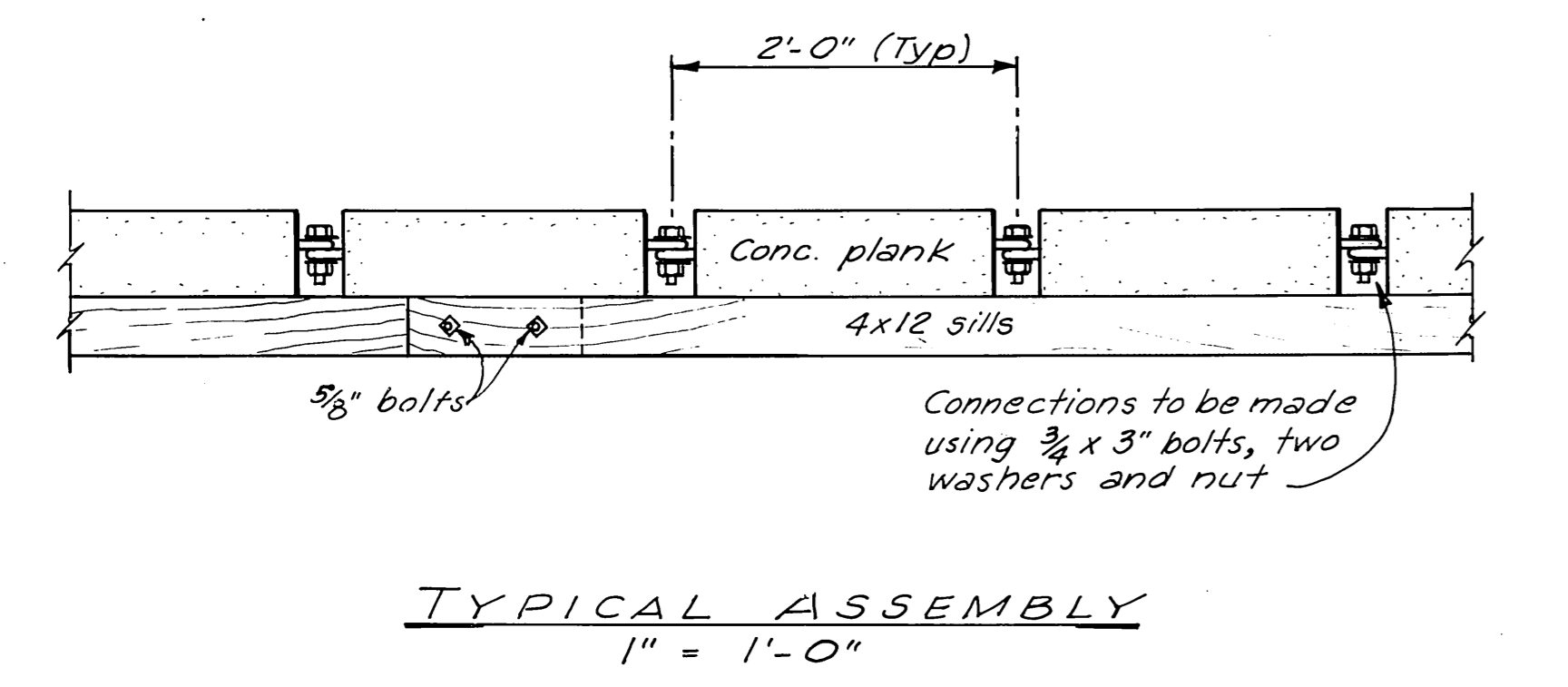
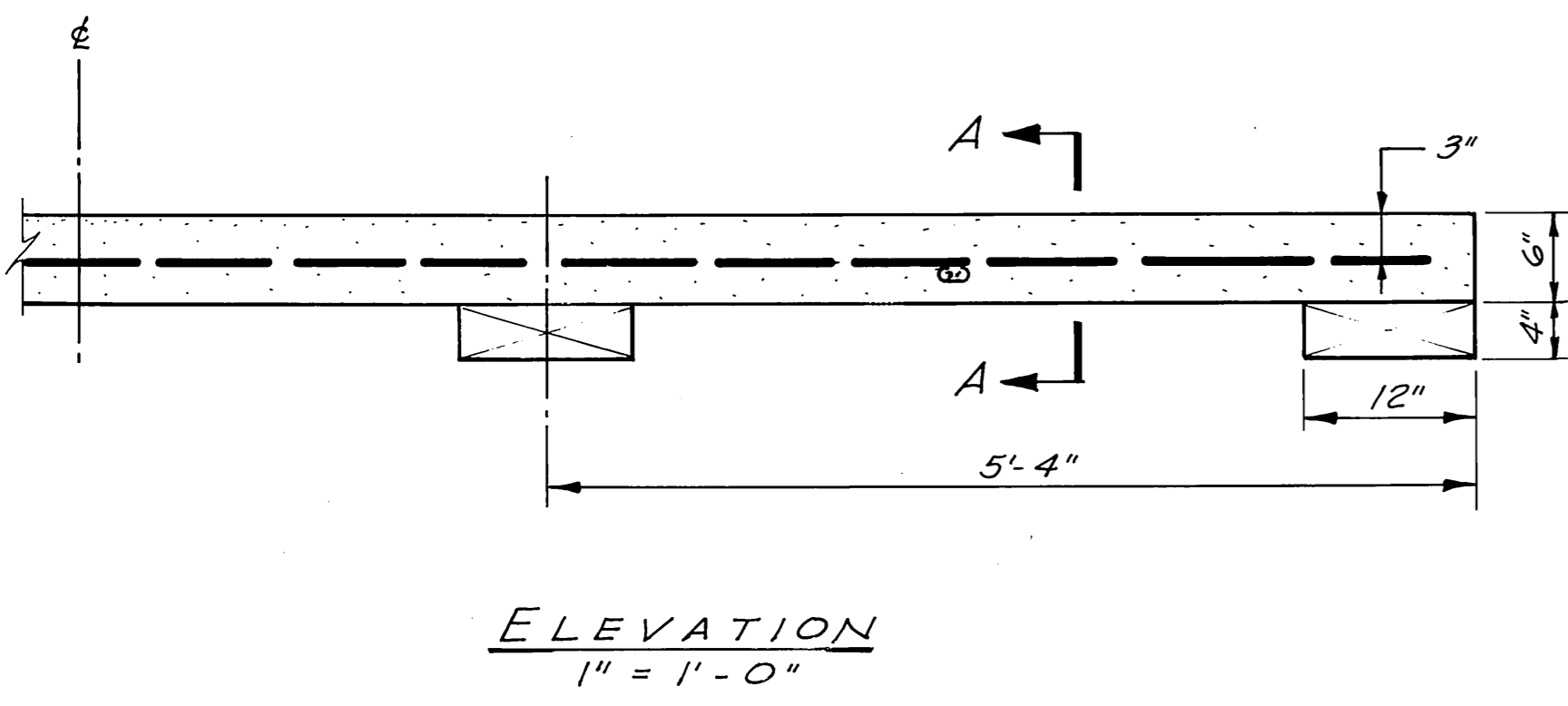
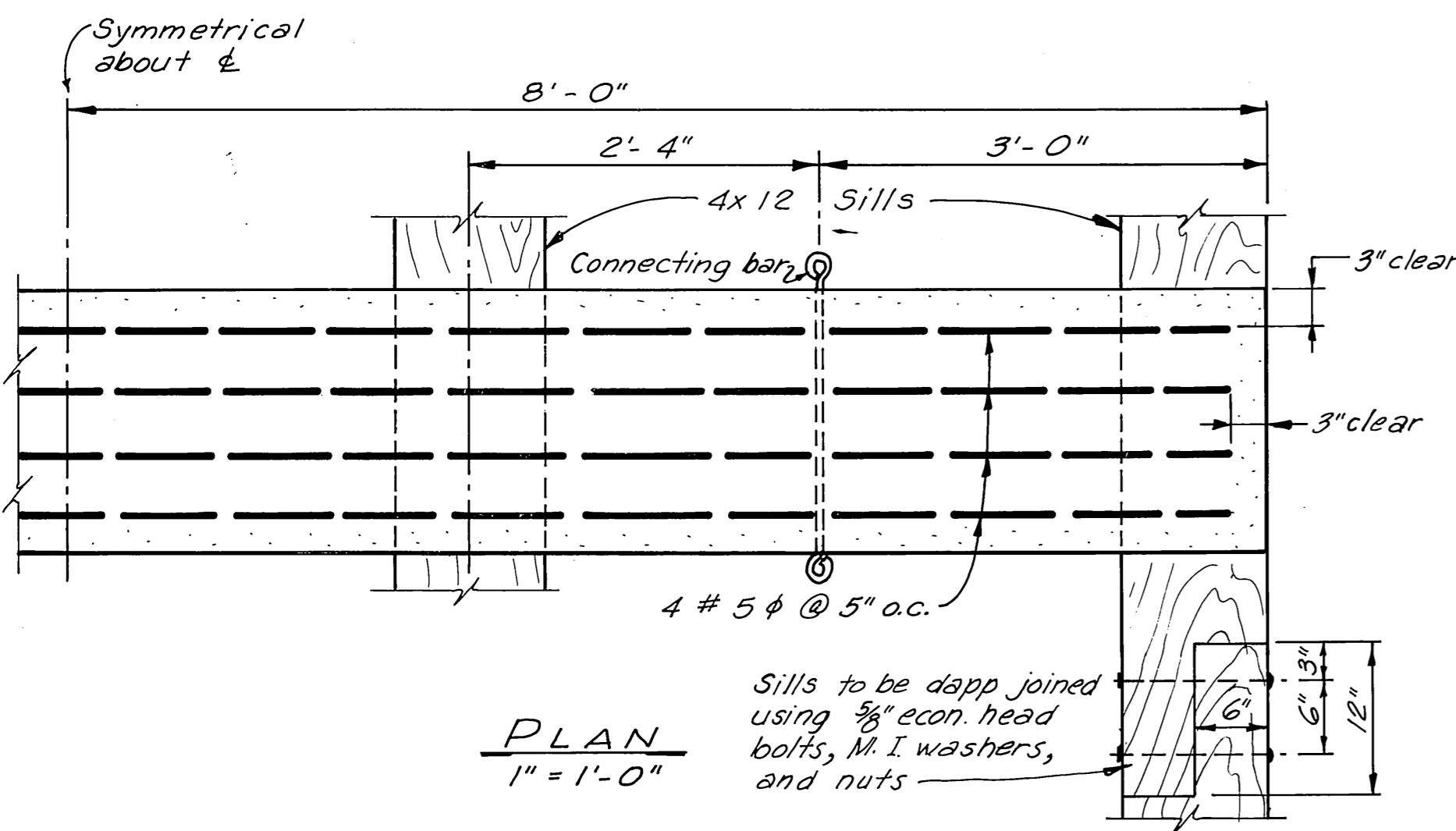


Quantities:

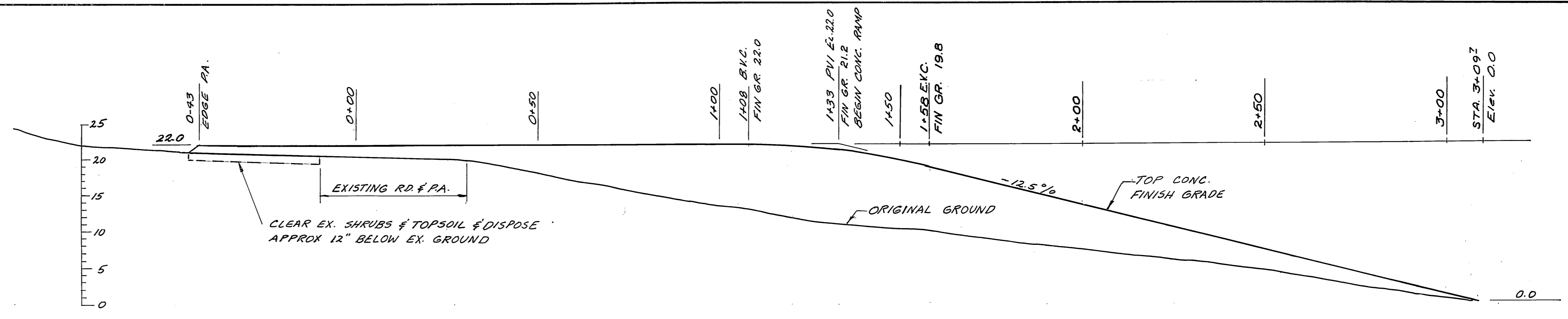
<u>Fill Material</u>	
Parking Area.....	2655.3 cu.yd.
Ramp.....	1891.5 " "
Total.....	4546.8 cu.yd.
<u>Rip Rap &amp; Armor Rock</u>	
Parking Area.....	226.8 cu.yd.
Ramp.....	592.5 " "
Total.....	819.3 cu.yd.

DO NOT SCALE THIS DRAWING - USE DIMENSIONS		
STATE OF ALASKA DEPARTMENT OF PUBLIC WORKS DIVISION OF WATER AND HARBORS		
AMALGA HARBOR LAUNCHING RAMP (CONDITION AS OF DEC. 6, 1971)		
SCALE 1" = 20'	SURVEYED DW	APPROVED
DESIGNED	DRAWN JET	
CHECKED	DATE 1-25-72	DIRECTOR
PROJECT NUMBER 3-72108	SHEET 1 OF 1	

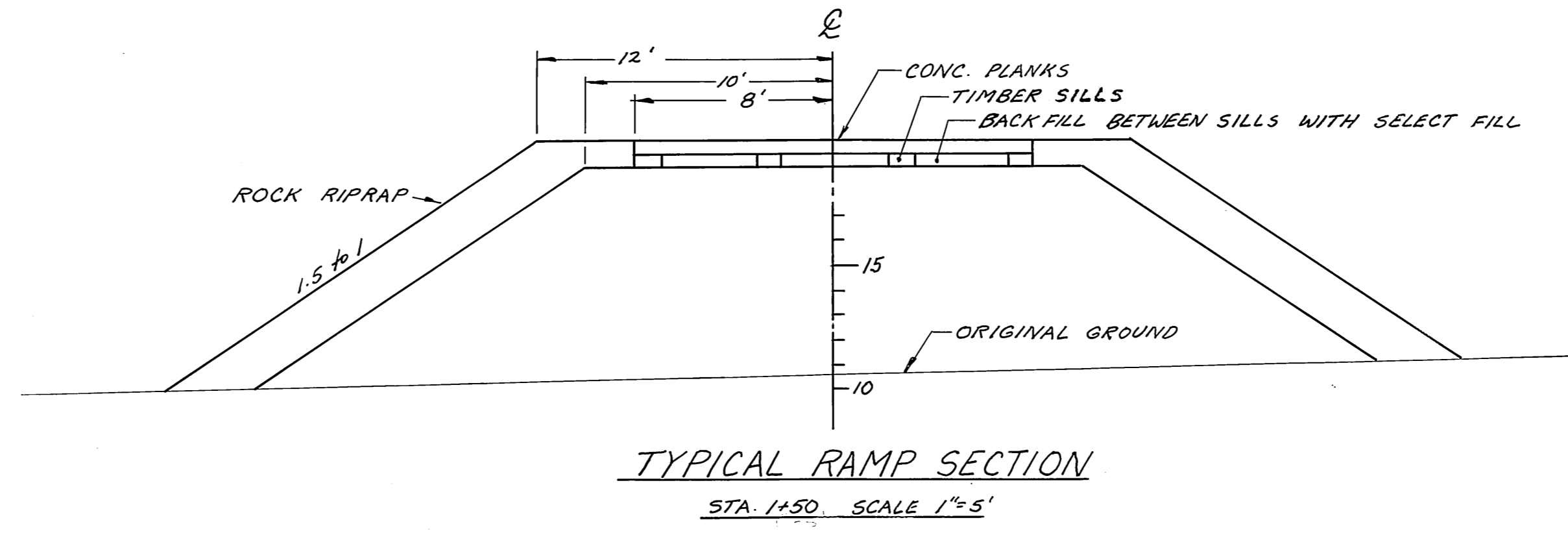




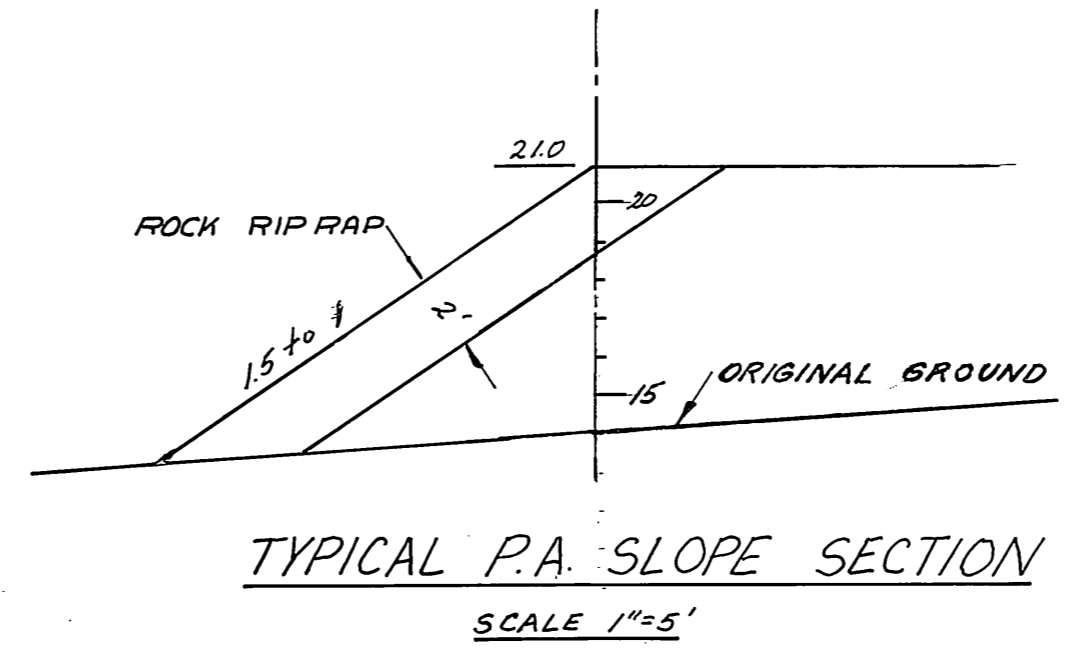
DETAILS - PRECAST LAUNCHING RAMP PLANKS



RAMP & PARKING AREA E PROFILE  
SCALE: 1" = 10' VERT, 1" = 20' HORIZ



TYPICAL RAMP SECTION  
STA. 1+50 SCALE 1" = 5'



TYPICAL P.A. SLOPE SECTION  
SCALE 1" = 5'

NOTE:  
CONTRACTOR THIS PROJECT TO PICK UP BY CONCRETE PLANKS & CONNECTING HARDWARE FURNISHED BY AND AT T.O. PADDOCK'S YARD AT MILE 2.5 GLACIER HIGHWAY, JUNEAU; TRANSPORT AND INSTALL BETWEEN STA. 1+33 & 3+09. THE TIMBER SILLS SHALL BE FURNISHED AND INSTALLED THIS CONTRACT.

DO NOT SCALE THIS DRAWING - USE DIMENSIONS		
STATE OF ALASKA DEPARTMENT OF PUBLIC WORKS DIVISION OF WATER AND HARBORS		
AMALGA HARBOR LAUNCHING RAMP SECTIONS & DETAIL		
SCALE <i>As noted</i>	SURVEYED <i>---</i>	APPROVED <i>---</i>
DESIGNED <i>DSM</i>	DRAWN <i>JET</i>	<i>Don Statter</i> DIRECTOR
CHECKED <i>DSM</i>	DATE <i>7-21-71</i>	
PROJECT NUMBER <i>3-72108</i>	SHEET <i>2</i> OF <i>2</i>	