

# AMALGA HARBOR LAUNCHING RAMP

PROJECT NO. 3-72108

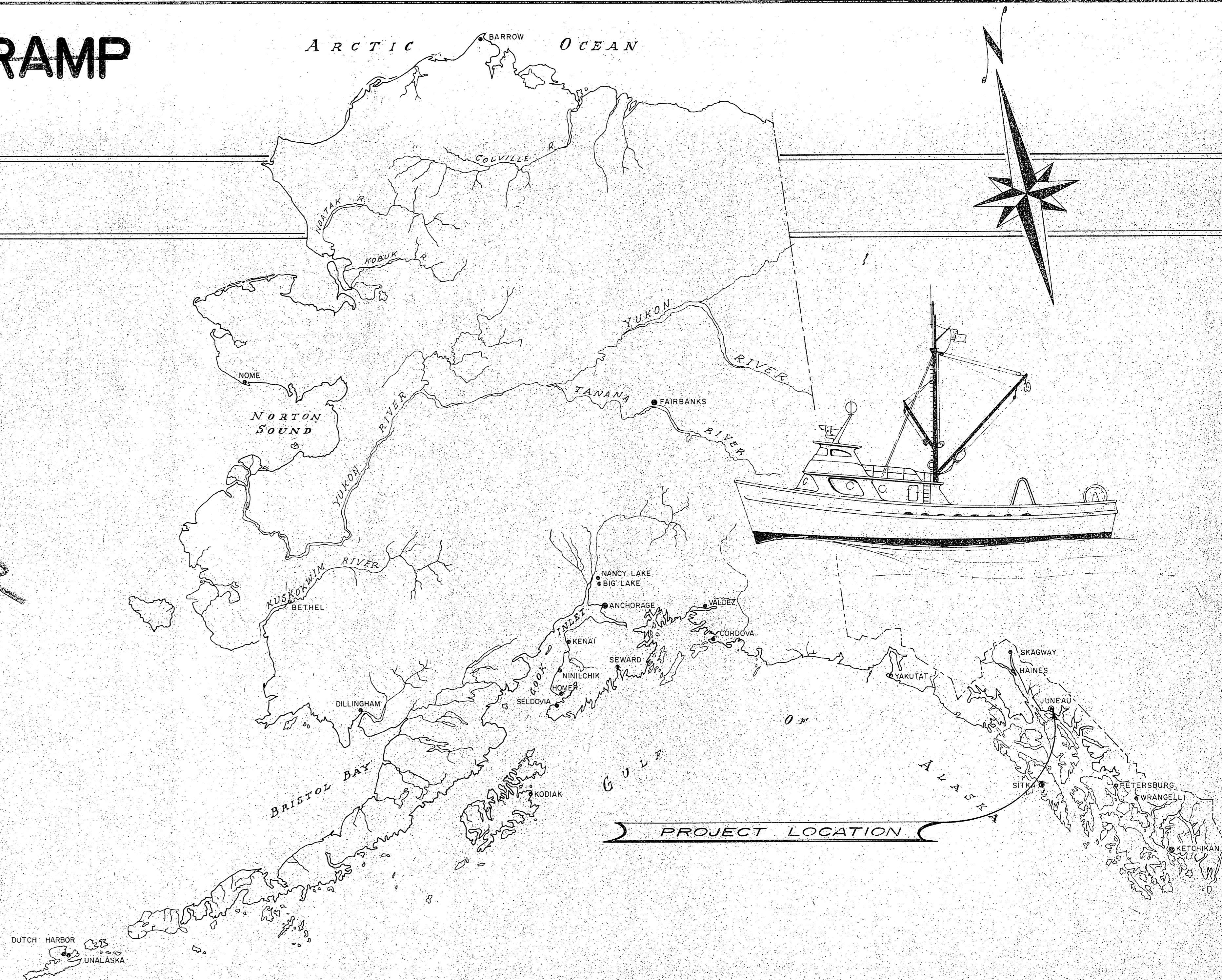
## AUKE BAY LAUNCHING RAMP

PROJECT NO. 3-72101

## DOUGLAS LAUNCHING RAMP

PROJECT NO. 3-72179

SEE AMALGA FOR  
ORIGINAL MYLARS



### WORK SUMMARY

Major work consists of constructing new launching ramps and providing additional parking space at Amalga Harbor, approximately 20 miles North of Juneau, and Auke Bay, approximately 12 miles North of Juneau. Also realigning and surfacing the Douglas launching ramp at the Small Boat Harbor in Douglas. Providing 16,110 cu. yds. of fill material, and 1,070 cu. yds. of Rip Rap material. Furnishing and installing 960 sq. ft. of Timber and polystyrene mooring float, and 105 lin. ft. of float piles, and 4 signs. And installing 317 concrete launching ramp planks to be furnished by others.

STATE OF ALASKA DEPARTMENT OF PUBLIC WORKS  
**DIVISION OF WATER & HARBORS**

### INDEX TO SHEETS

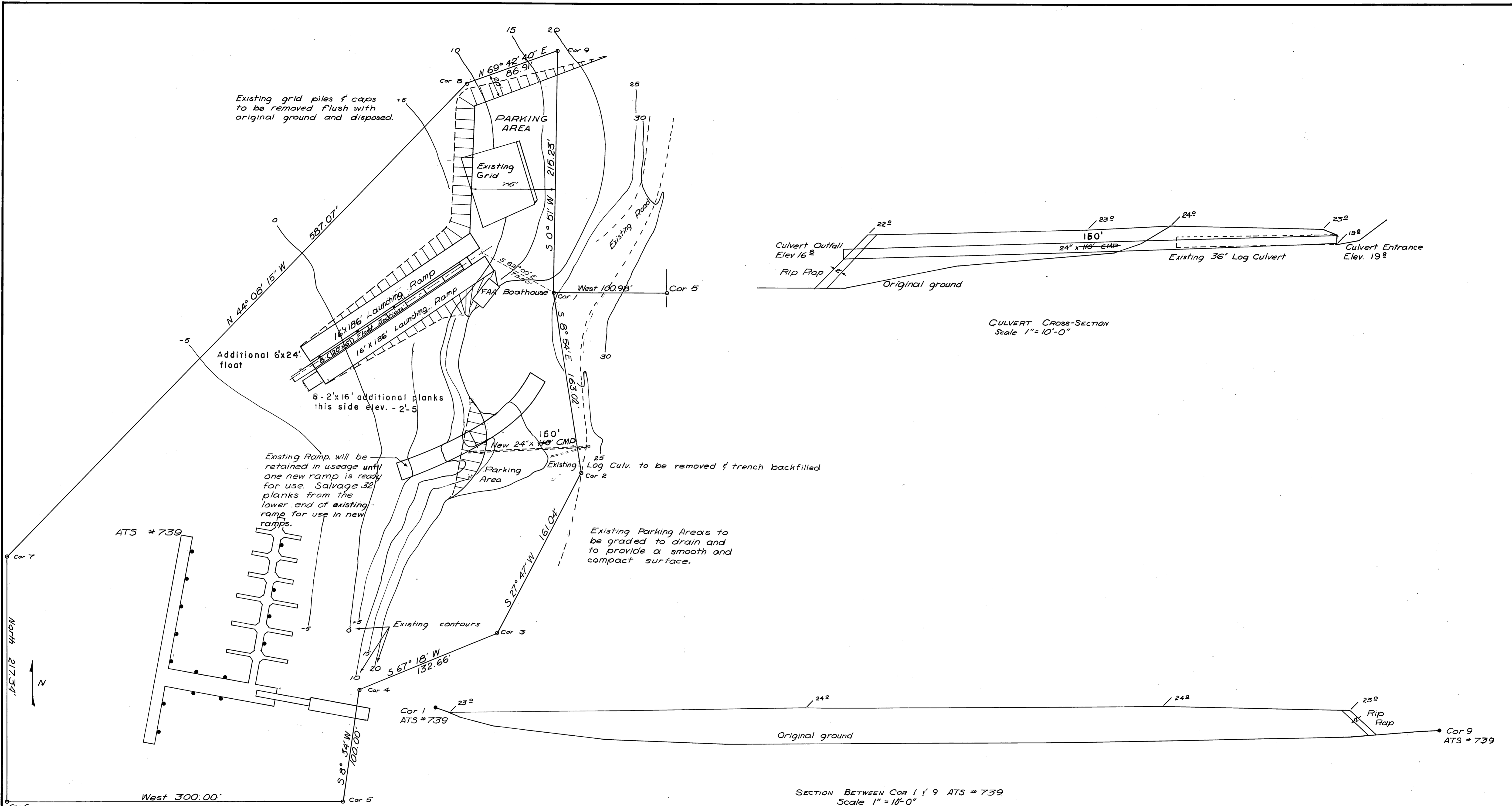
TITLE SHEET	AUKE BAY LAUNCHING RAMP
AMALGA HARBOR LAUNCHING RAMP	1 Layout
1 Layout	2 6' Float
2 Details	3 Details
	DOUGLAS LAUNCHING RAMP
	1 Details & Layout

APPROVED

*[Signature]*  
COMMISSIONER

DATE: July 27, 1971

SHEET OF



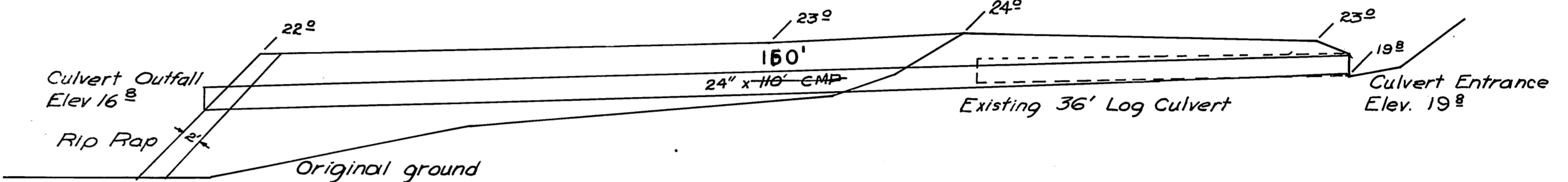
Existing grid piles & caps to be removed flush with original ground and disposed.

Additional 6x24 float

8-2'x16' additional planks this side elev. -2'-5"

Existing Ramp, will be retained in use until one new ramp is ready for use. Salvage 32 planks from the lower end of existing ramp for use in new ramps.

Existing Parking Areas to be graded to drain and to provide a smooth and compact surface.



CULVERT CROSS-SECTION  
Scale 1"=10'-0"

SECTION BETWEEN COR 1 & 9 AT S # 739  
Scale 1"=10'-0"

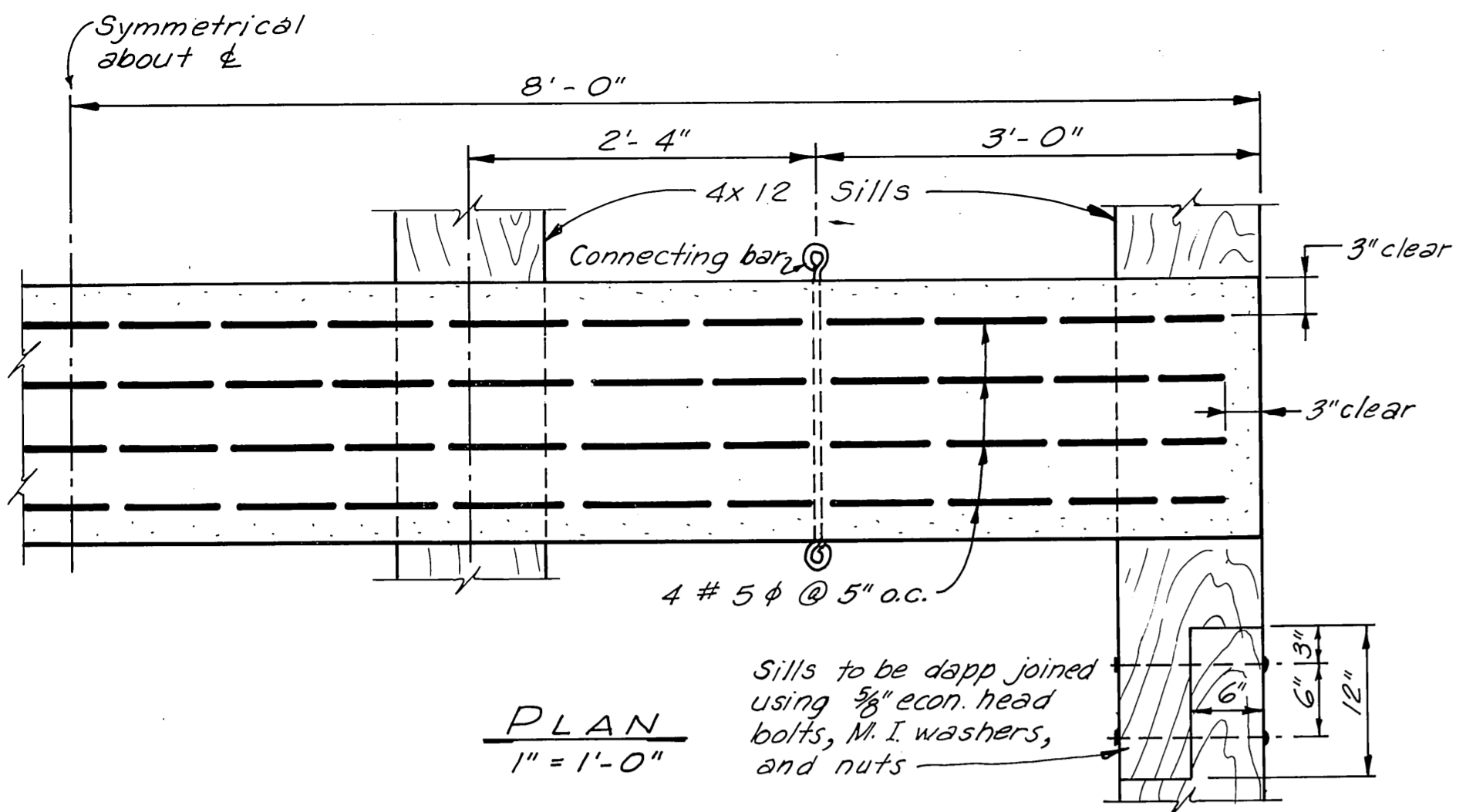
AUKE BAY LAUNCHING RAMP SITE PLAN  
Scale 1"=40'-0"

DO NOT SCALE THIS DRAWING—USE DIMENSIONS  
STATE OF ALASKA  
DEPARTMENT OF PUBLIC WORKS  
DIVISION OF WATER AND HARBORS

AUKE BAY LAUNCHING RAMP

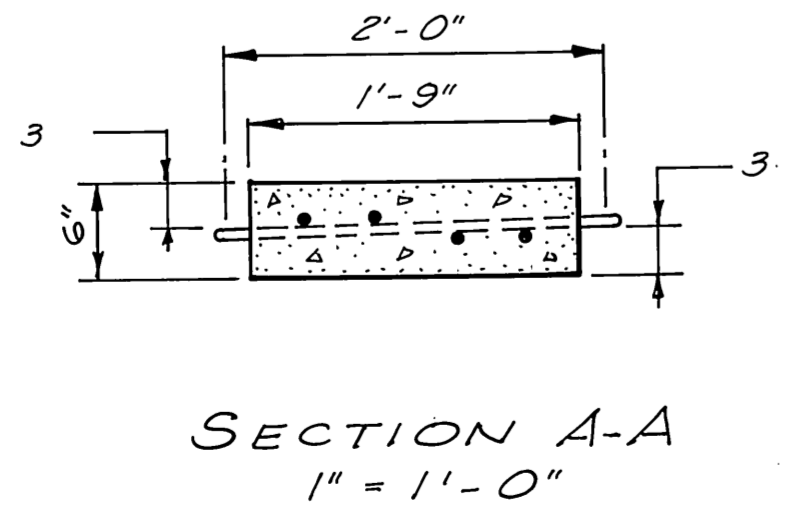
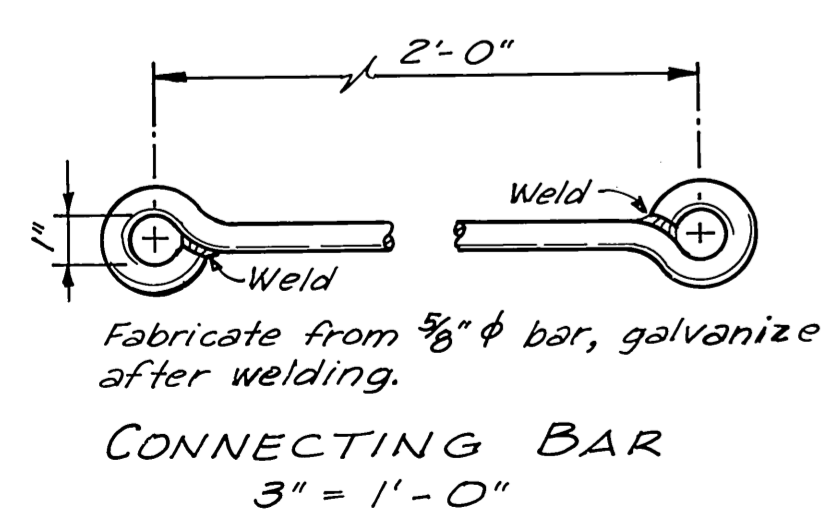
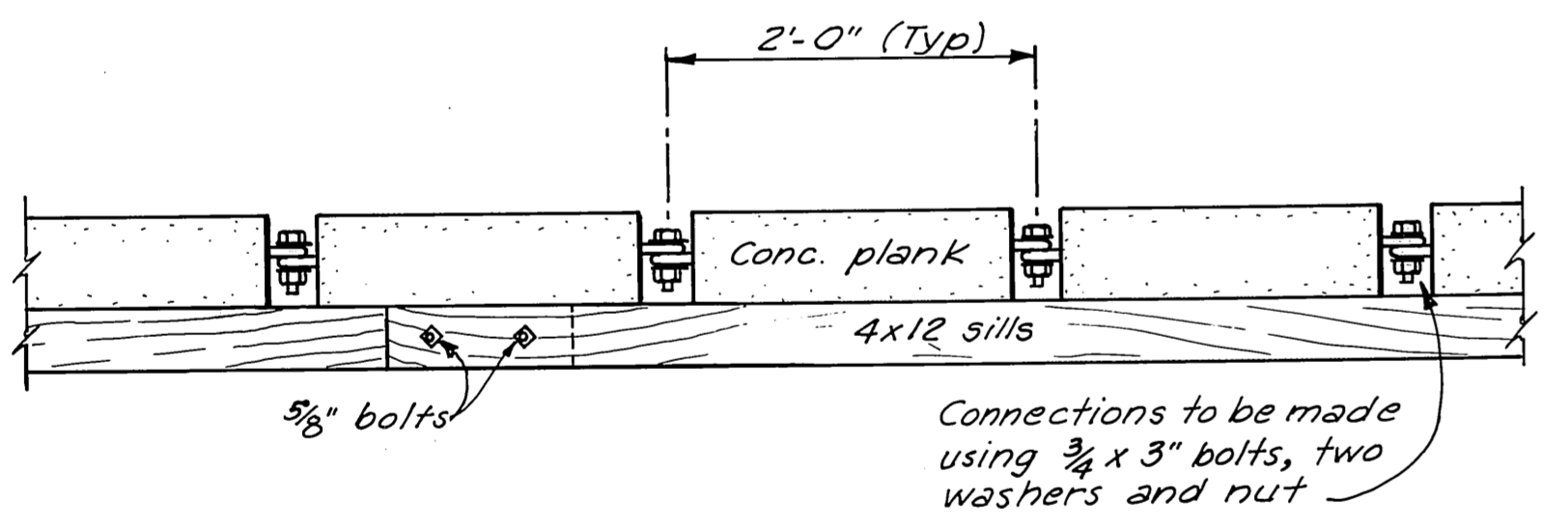
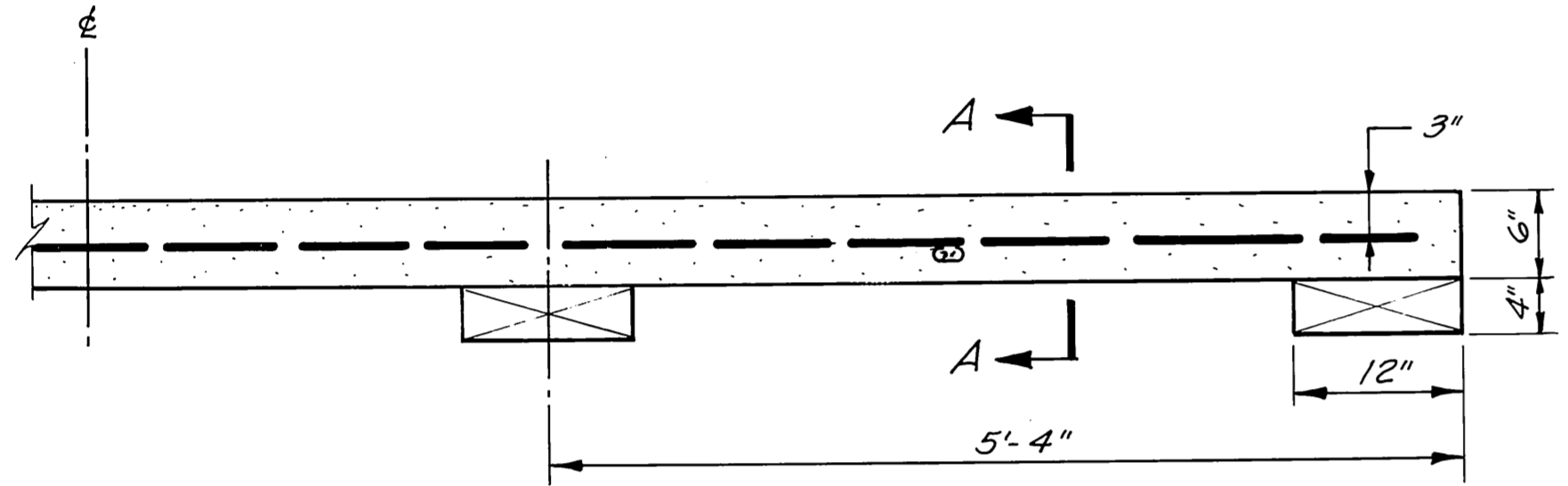
AS BUILT 72

SCALE <i>As Shown</i>	SURVEYED	APPROVED
DESIGNED <i>JDB</i>	DRAWN <i>JDB</i>	<i>DON STATTER</i>
CHECKED	DATE <i>19 Jul 71</i>	DIRECTOR
PROJECT NUMBER <i>3-72101</i>	SHEET <i>1</i> OF <i>3</i>	

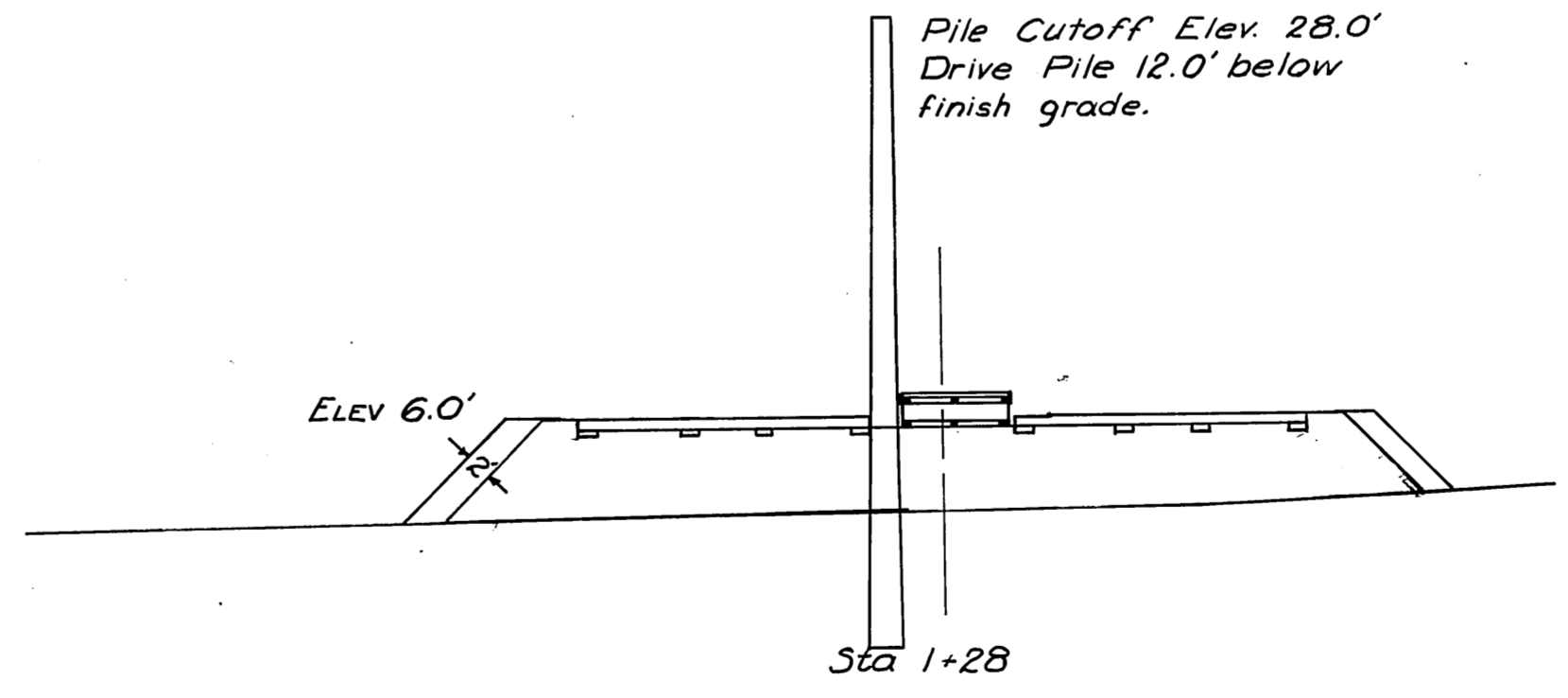
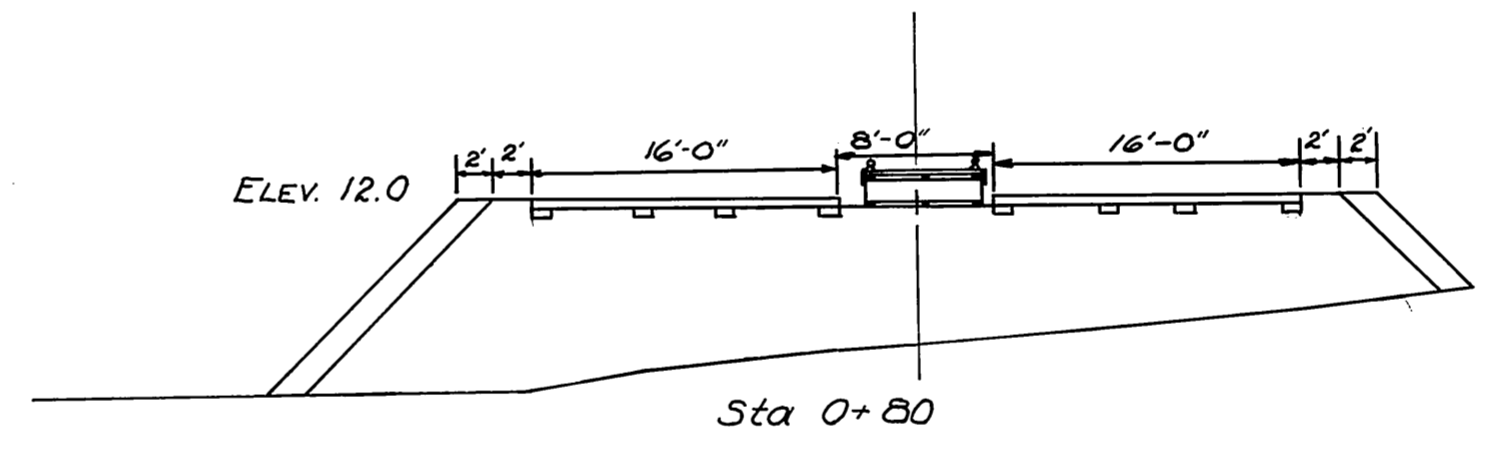
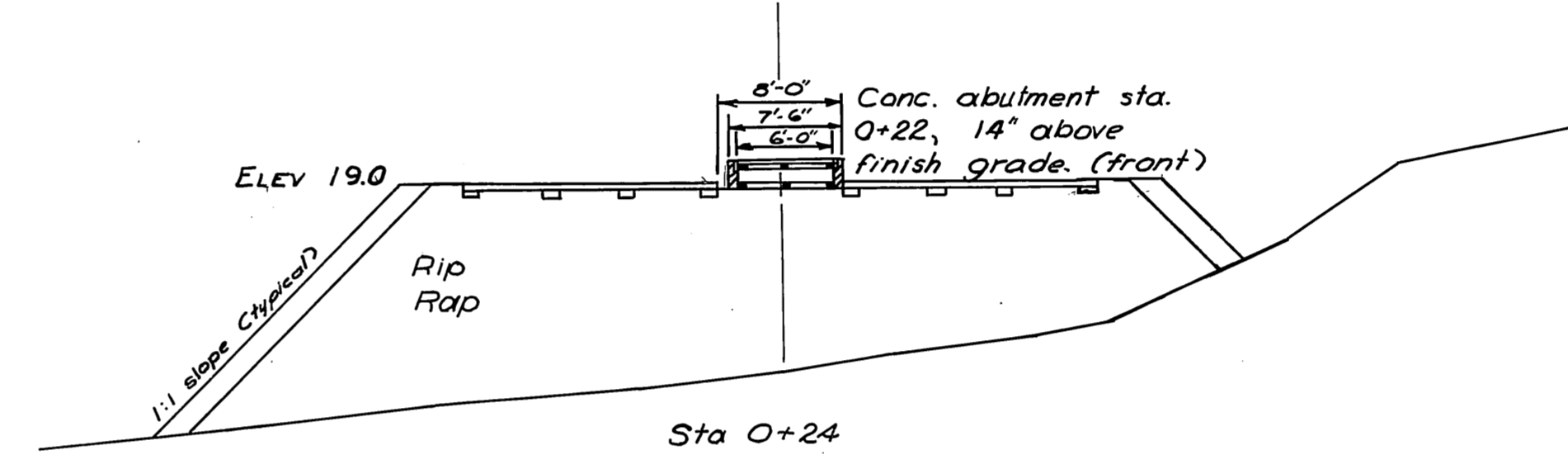
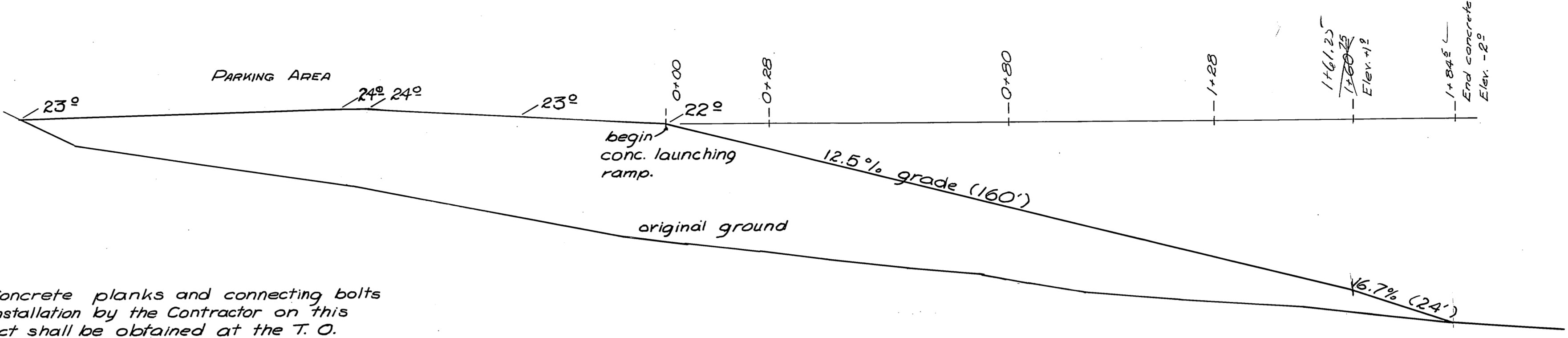


154 Concrete planks and connecting bolts for installation by the Contractor on this project shall be obtained at the T. O. Paddock yard @ Mile 2 1/2 Glacier Highway. 32 Concrete planks shall be salvaged from the existing ramp.

Timber sills shall be furnished and installed by the Contractor.



**DETAILS - PRECAST LAUNCHING RAMP PLANKS**



TYPICAL RAMP SECTIONS  
1" = 10'-0"

DO NOT SCALE THIS DRAWING - USE DIMENSIONS		
STATE OF ALASKA DEPARTMENT OF PUBLIC WORKS DIVISION OF WATER AND HARBORS		
AUK BAY BOAT LAUNCHING RAMPS		
SCALE <i>As noted</i>	SURVEYED <i>---</i>	APPROVED
DESIGNED <i>JDB</i>	DRAWN <i>JET</i>	<i>Don Statter</i> DIRECTOR
CHECKED <i>---</i>	DATE <i>7 Jul 71</i>	
PROJECT NUMBER <i>3-72101</i>	SHEET <i>2</i> OF <i>3</i>	