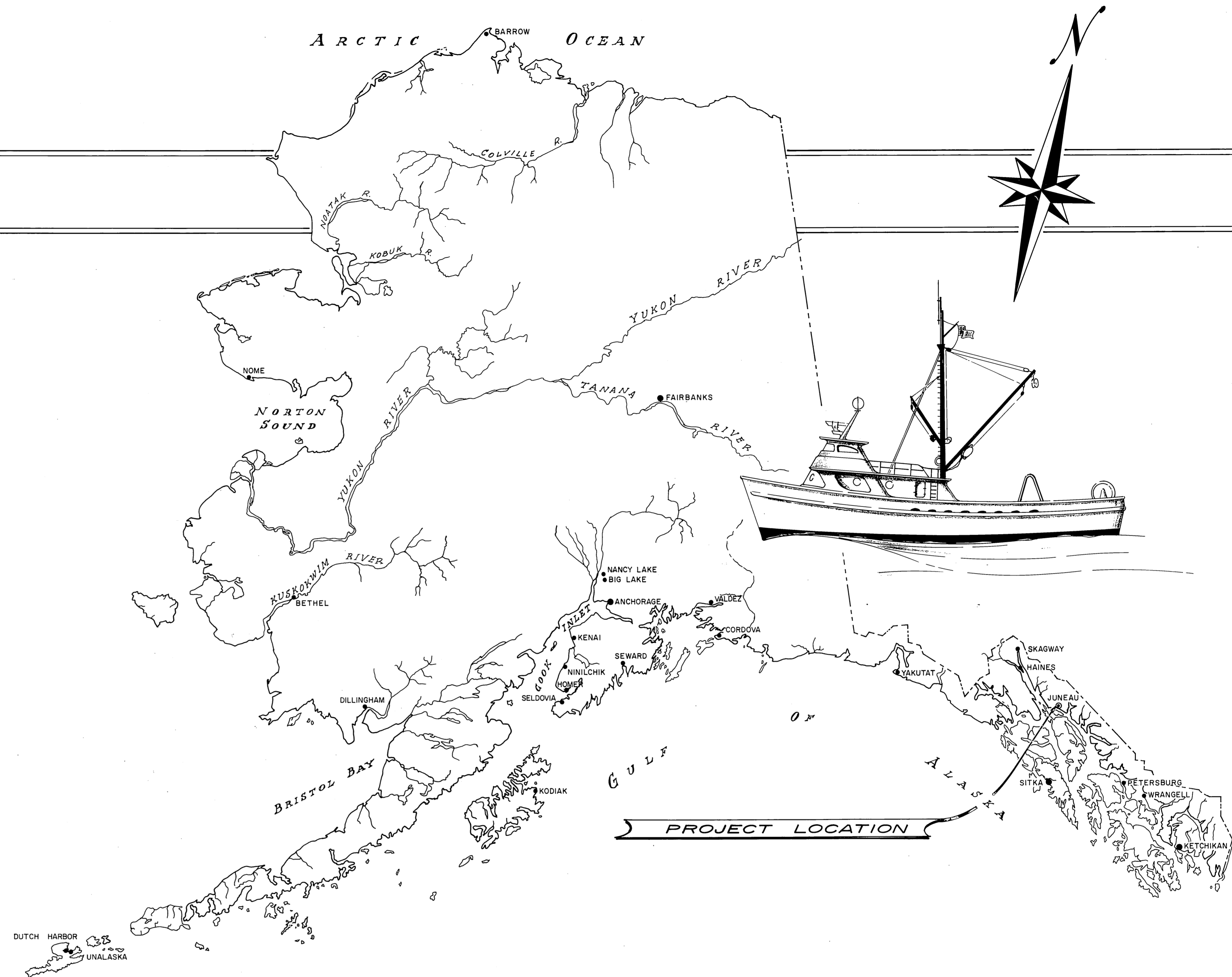


DOUGLAS DOCK RECONSTRUCTION

PROJECT NO. 3-70171

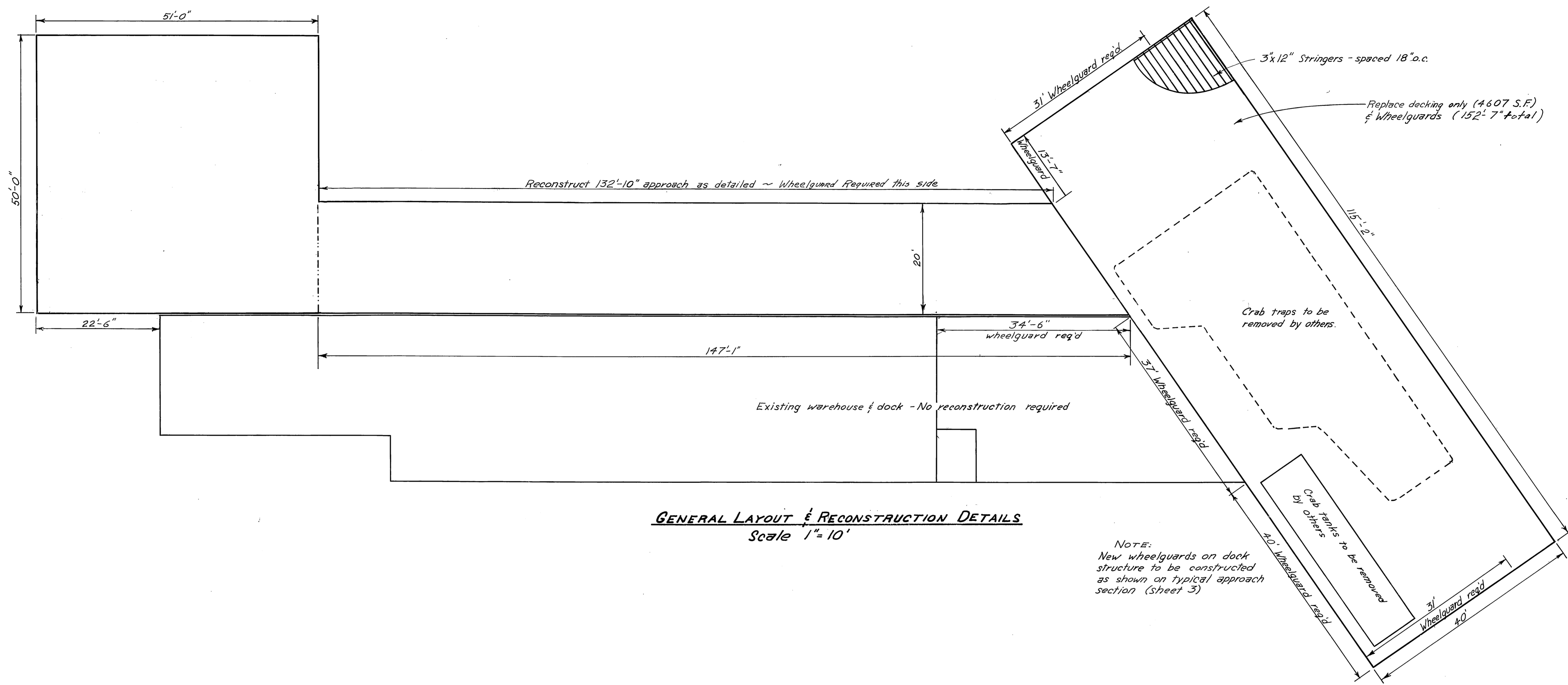


WORK SUMMARY

This project consists of reconstruction of approximately 8580 S.F. of existing dock.

NO AS BUILT AVAILABLE

INDEX TO SHEETS	
1	TITLE AND LOCATION
2	DOCK AND APPROACH LAYOUT
3	CONSTRUCTION DETAILS



GENERAL LAYOUT & RECONSTRUCTION DETAILS
 Scale 1" = 10'

NOTE:
 New wheelguards on dock structure to be constructed as shown on typical approach section (Sheet 3)

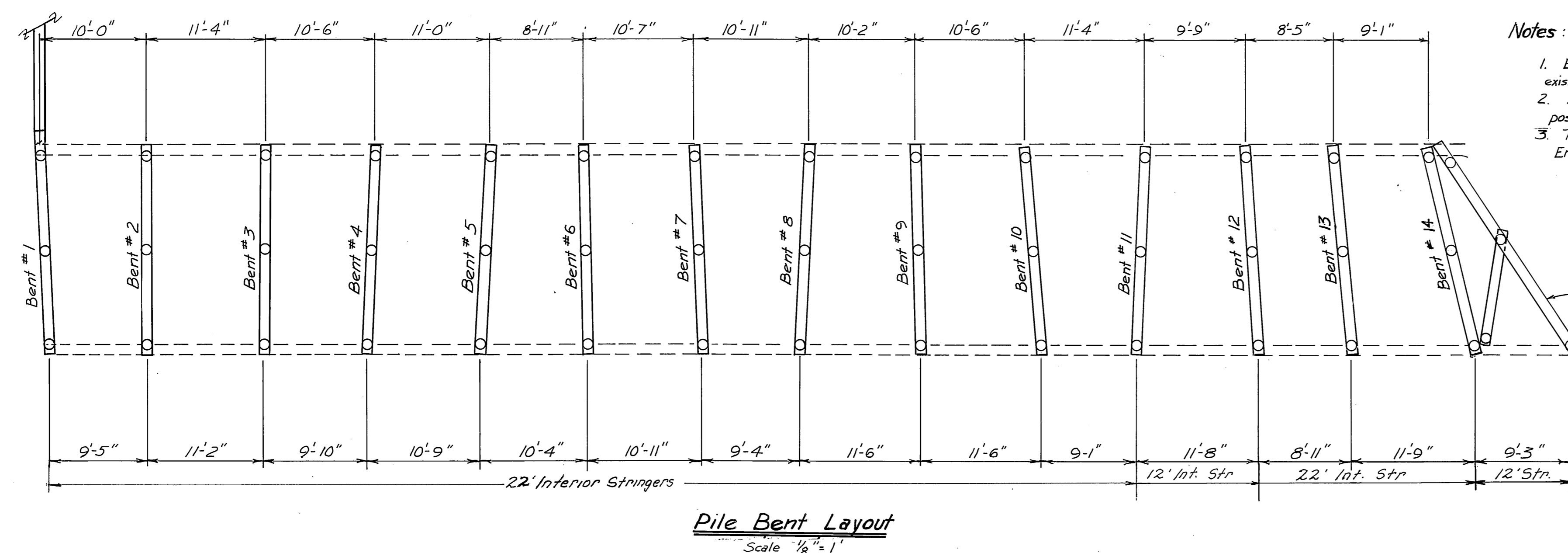
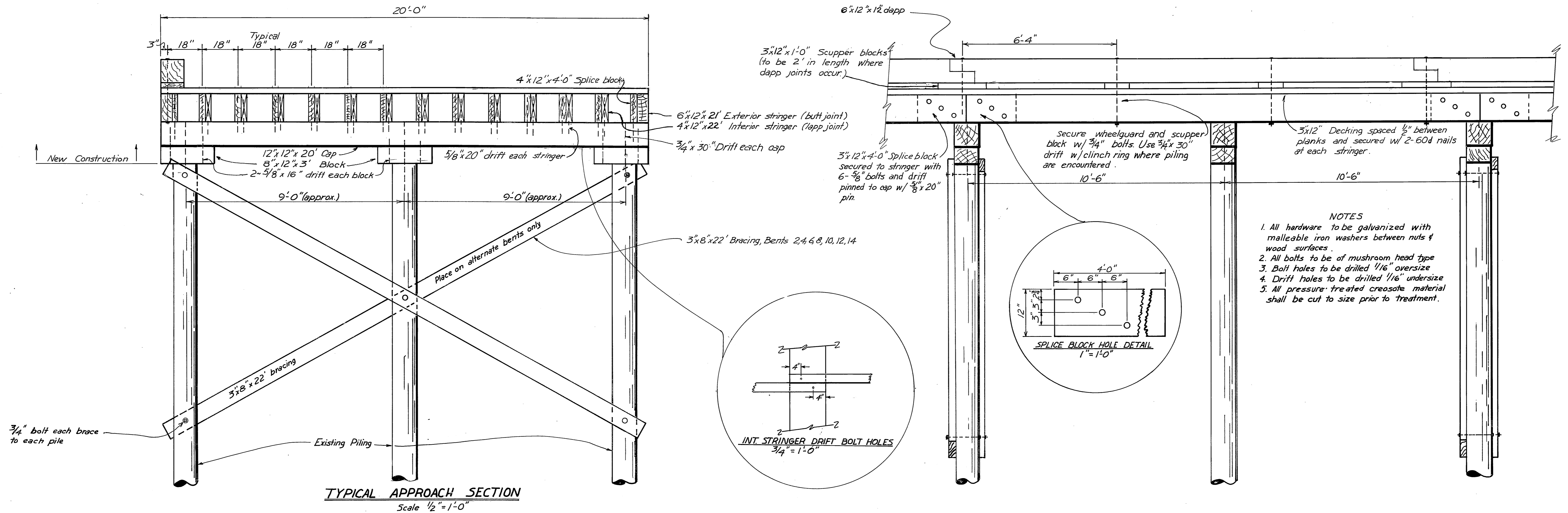
REVISED 11/10/69 - DSM

DO NOT SCALE THIS DRAWING - USE DIMENSIONS

STATE OF ALASKA
 DEPARTMENT OF PUBLIC WORKS
 DIVISION OF WATER AND HARBORS

DOUGLAS CITY DOCK LAYOUT

SCALE <i>As Shown</i>	SURVEYED <i>DW</i>	APPROVED
DESIGNED	DRAWN <i>C.E.D.</i>	<i>Don Statter</i>
CHECKED	DATE <i>9-30-69</i>	DIRECTOR
PROJECT NUMBER <i>3-70171</i>	SHEET <i>2</i> OF <i>3</i>	



- Notes:**
- Existing bents are aligned as shown, there is no existing cross bracing. Add bracing as shown.
 - Some piles will require being pulled into a vertical position before new caps are placed
 - The top 8" of deteriorated piles (as determined by the Engineer) shall be cut-off and blocked (8'x12'x3" block)

MATERIALS				
ITEM	GRADE	DRESSING	CREO TREAT	TYPE
Piling	Class B	"	12" Ret	Douglas Fir
Bracing	Construction	Rough	"	"
Caps	"	S4S	8" Ret.	"
Ext. Stringer	"	"	"	"
Splice block	"	S2S	"	"
Int. Stringer	"	"	"	"
Decking	"	S1S	"	"
Scupper Bl.	"	S4S	"	"
Wheelguard	"	"	"	"
Pile Blocks	"	S2S	"	"

- PREDRILLED BOLT HOLES**
- Int. Stringers - All drift bolt holes
 - Ext. Stringers - Splice block holes
 - Wheelguards - Stringer bolt holes
 - Splice Blocks - All holes
 - Pile Blocks - Drift bolt holes
- FIELD DRILLED BOLT HOLES**
- Caps - All drift bolt holes
 - Braces - All bolt holes

Revised 11/10/69 DSM

DO NOT SCALE THIS DRAWING - USE DIMENSIONS

STATE OF ALASKA
DEPARTMENT OF PUBLIC WORKS
DIVISION OF WATER AND HARBORS

DOUGLAS CITY DOCK RECONSTRUCTION

SCALE As Shown	SURVEYED	APPROVED
DESIGNED	DRAWN HRM	Don Staller DIRECTOR
CHECKED	DATE 2-30-69	
PROJECT NUMBER 3-70171	SHEET 3 OF 3	