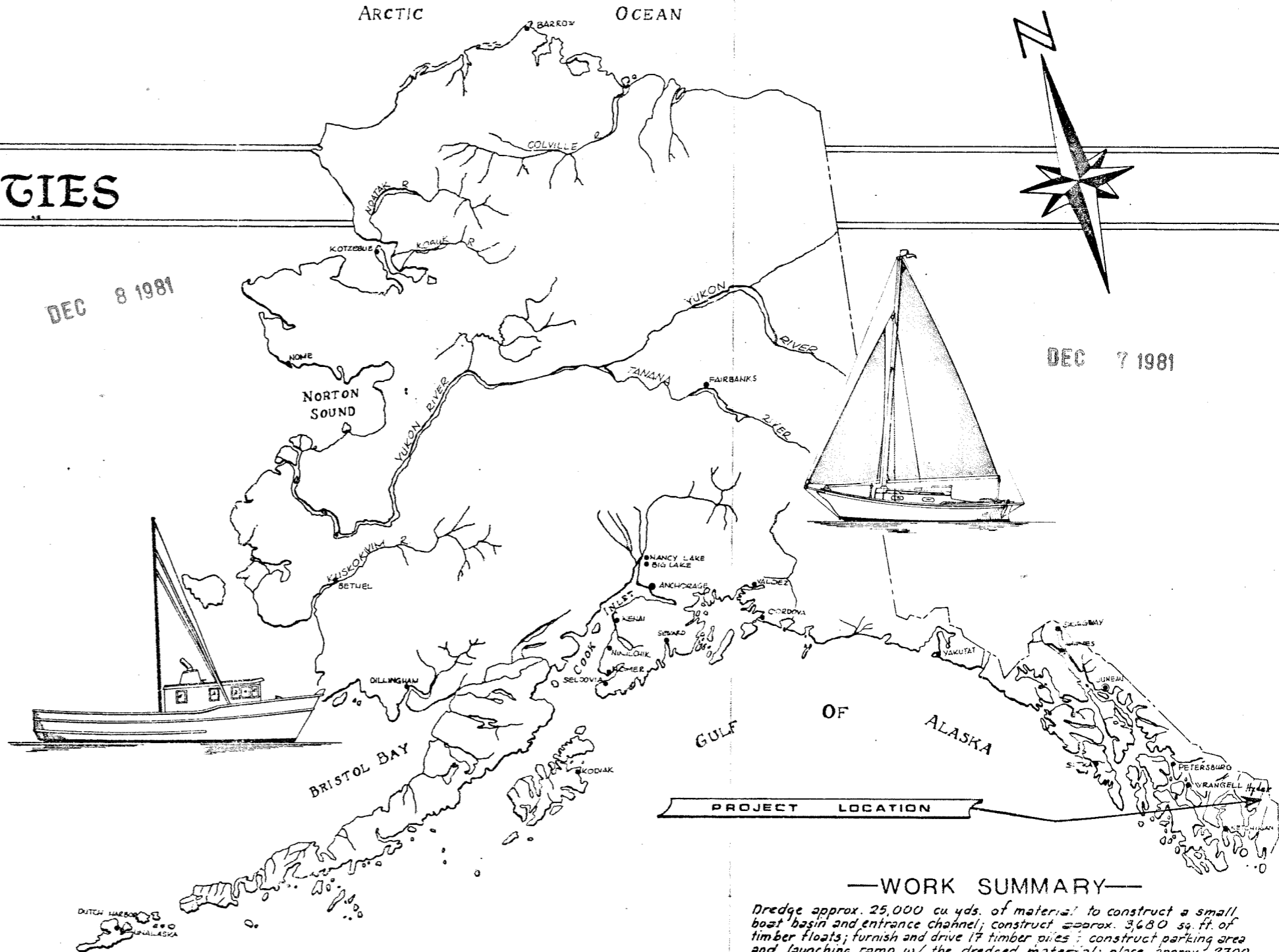


HYDER HARBOR FACILITIES

PROJECT NO. K 31149

DEC 8 1981

DEC 7 1981



—WORK SUMMARY—

Dredge approx. 25,000 cu yds. of material to construct a small boat basin and entrance channel; construct approx. 3,680 sq. ft. of timber floats; furnish and drive 17 timber piles; construct parking area and launching ramp w/ the dredged material; place approx. 2700 cu yds. of rock slope protection; remove approx. 36' of existing timber trestle handrail & bumperguard

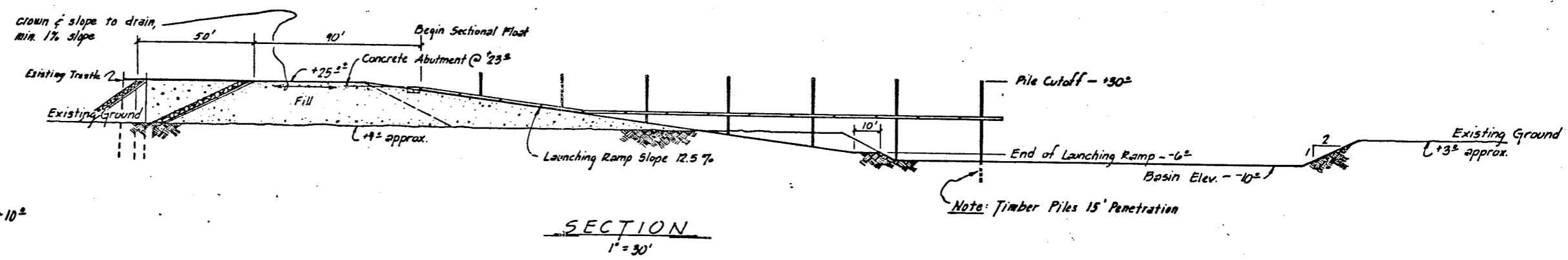
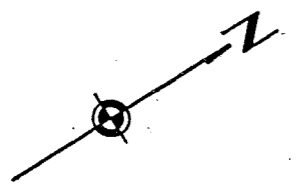
INDEX TO SHEETS

1. Title Sheet		
2. Project Layout		
3. Trestle, Fill Area Intersection Details		
4. 8' Float ~ Pile & Stringer Layout		
5. 6' Sectional Float		
6. Hinge Connection Details		

STATE OF ALASKA

DEPARTMENT OF TRANSPORTATION & PUBLIC FACILITIES
HARBOR DESIGN & CONSTRUCTION

APPROVED
Charles H. [Signature]
 DATE 11/2/81
 SHEET 1 OF 6



12+52.25 PM
M E TRISTLE (LAND)

6+00 Set PM
Elev. +24.2

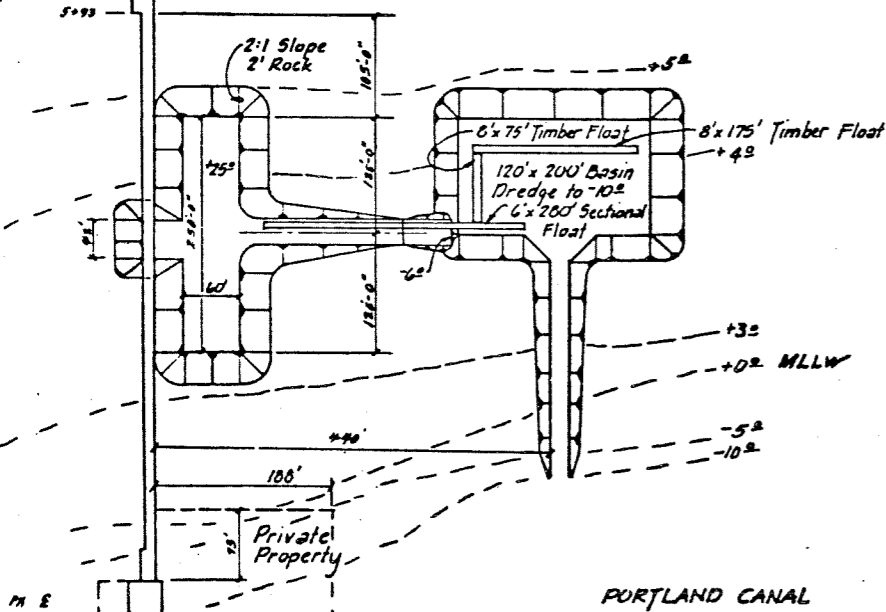
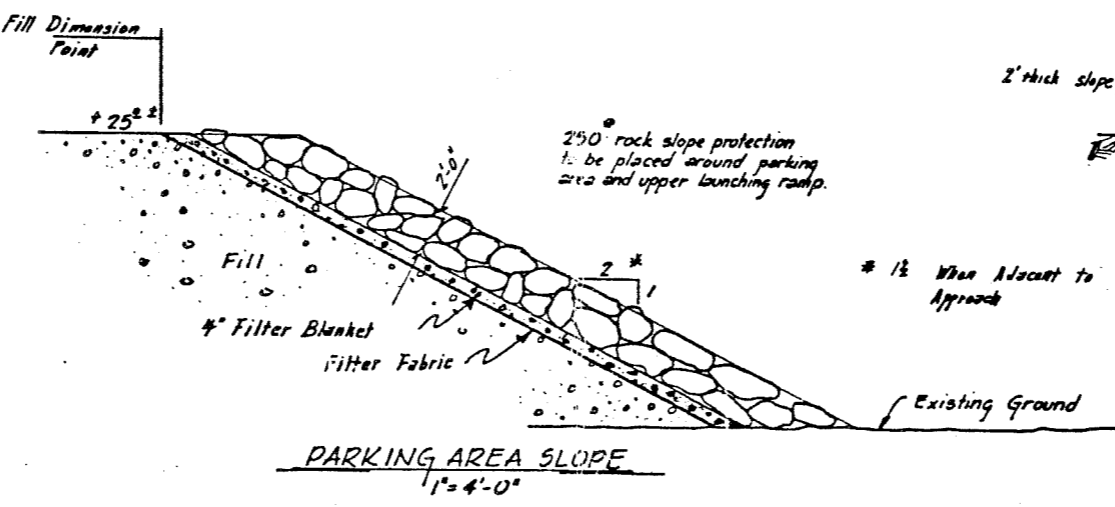
0+00 PM E
TRISTLE Elev. 29.4

TIDAL DATA

RHW	21.2
MHW	16.8
MLLW	0.8
ELLW	-4.8

CHANNEL SECTION
1" = 10'

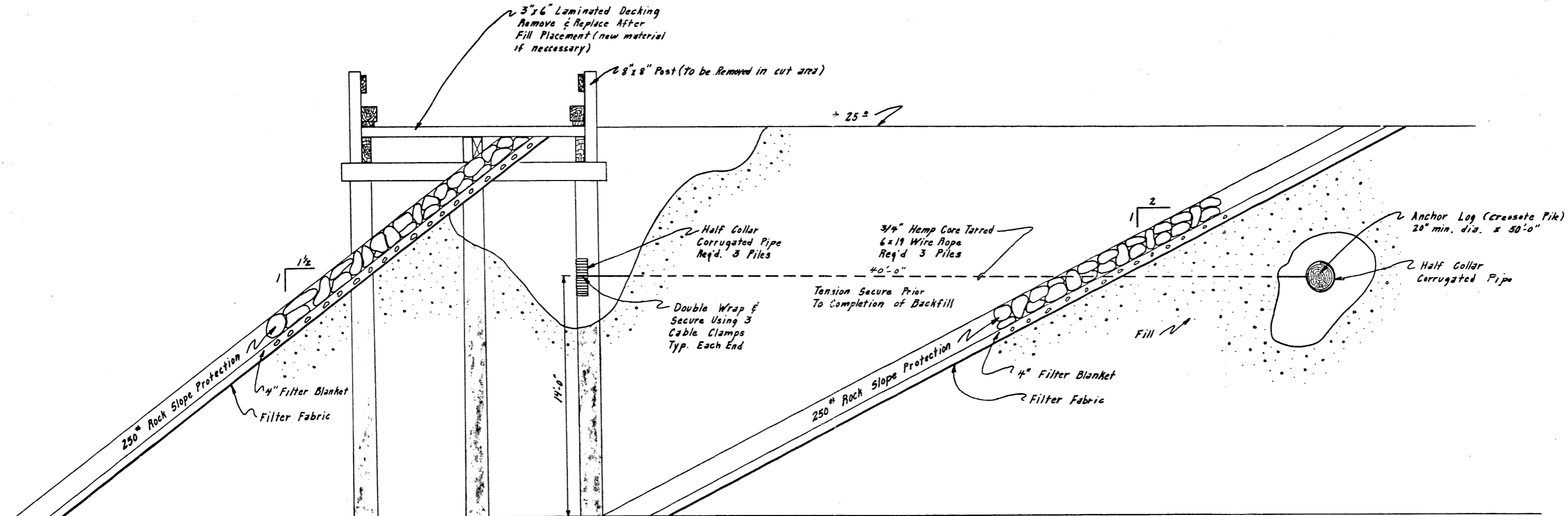
LAUNCHING RAMP CROSS SECTION
SCALE: 1" = 5'-0"



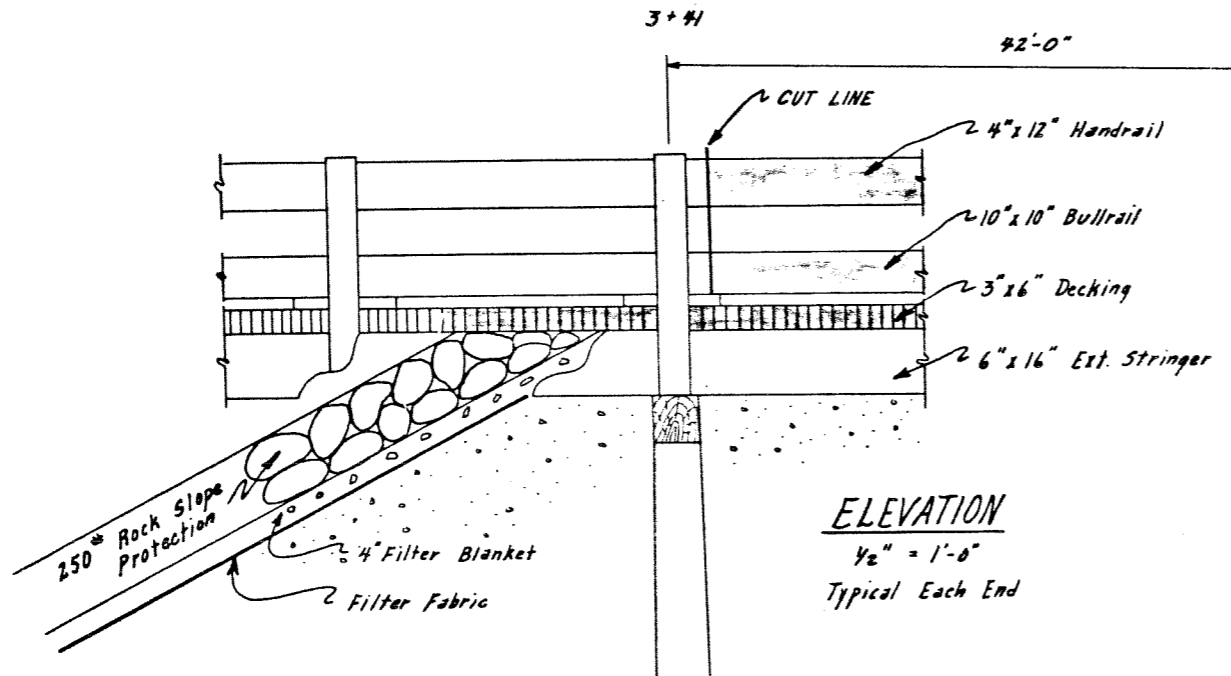
LAYOUT
1" = 100'

PORTLAND CANAL

	DO NOT SCALE THIS DRAWING - USE DIMENSIONS	
	STATE OF ALASKA DEPARTMENT OF TRANSPORTATION AND PUBLIC FACILITIES DIVISION OF HARBOR DESIGN AND CONSTRUCTION	
	Hyder Alaska HYDER HARBOR FACILITIES	
	SCALE: As Shown DESIGNED: B/HM CHECKED: _____ PROJECT NUMBER: K31149	SURVEYED: _____ DRAWN: JTM DATE: _____ SHEET 2 OF 6
APPROVED: Robert P. Beck CHIEF OF DESIGN		



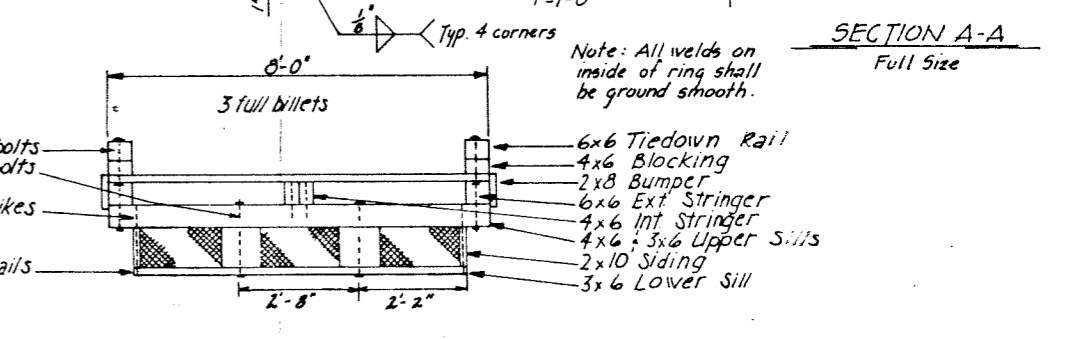
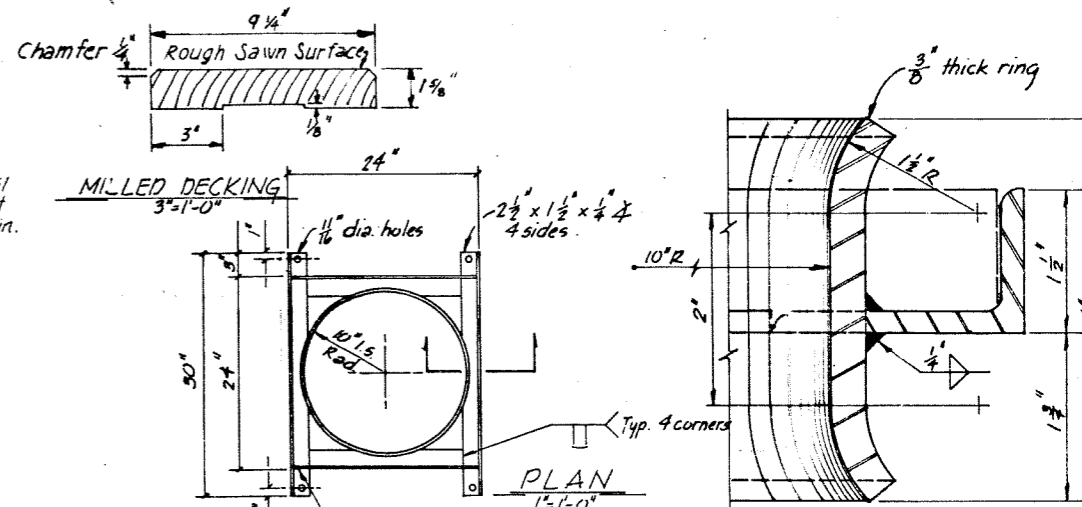
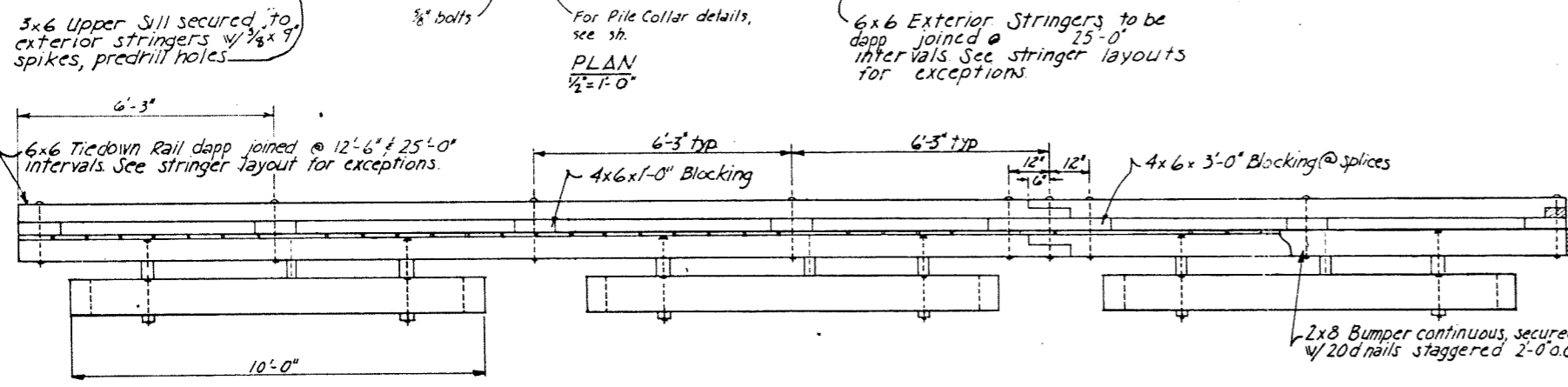
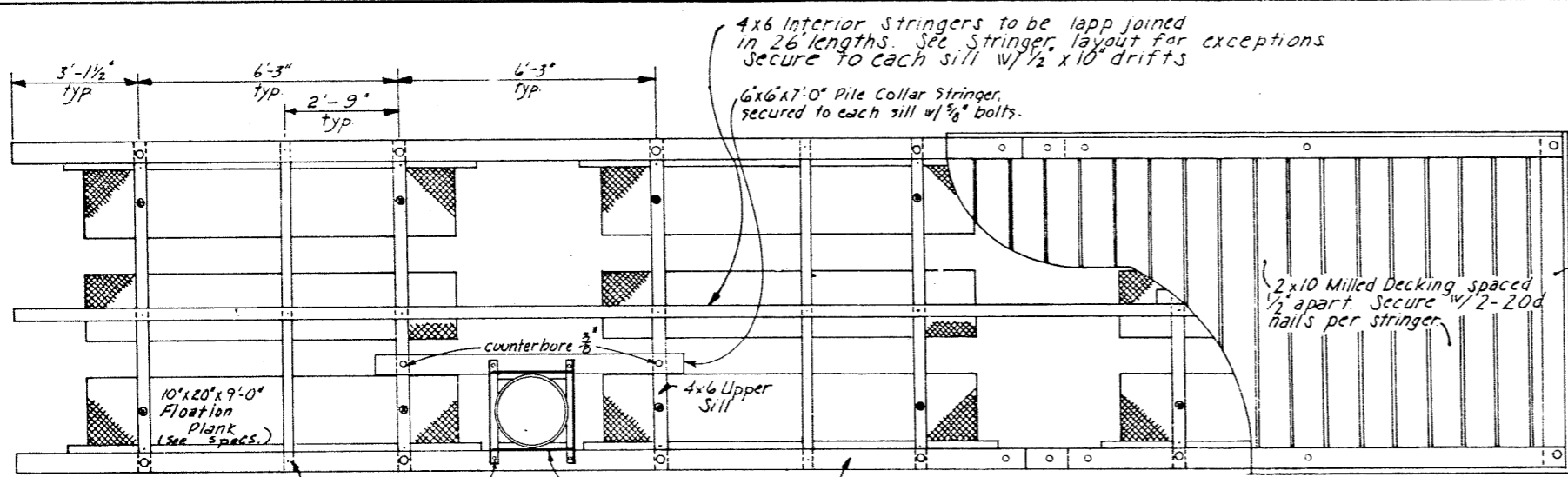
SECTION
3/8" = 1'-0"



ELEVATION
1/2" = 1'-0"
Typical Each End

NOTE:
40' of Existing Handrail & Bullrail (shaded area) To be Removed on Fill Area Side of Existing Trestle. 3"x6" Decking to be Removed & Replaced After Fill Placement (shaded area).

<p>STAMP</p>	<p>DO NOT SCALE THIS DRAWING - USE DIMENSIONS</p>	
	<p>STATE OF ALASKA DEPARTMENT OF TRANSPORTATION AND PUBLIC FACILITIES DIVISION OF HARBOR DESIGN AND CONSTRUCTION</p>	
<p>TRESTLE, FILL AREA INTERSECTION</p>		
<p>SCALE: _____ DESIGNED: <i>[Signature]</i> CHECKED: _____</p>	<p>SURVEYED: _____ DATE: _____ DRAWN: <i>[Signature]</i></p>	<p>APPROVED: _____ CHIEF OF DESIGN</p>
<p>PROJECT NUMBER: 43149</p>		<p>SHEET 3 OF 6</p>



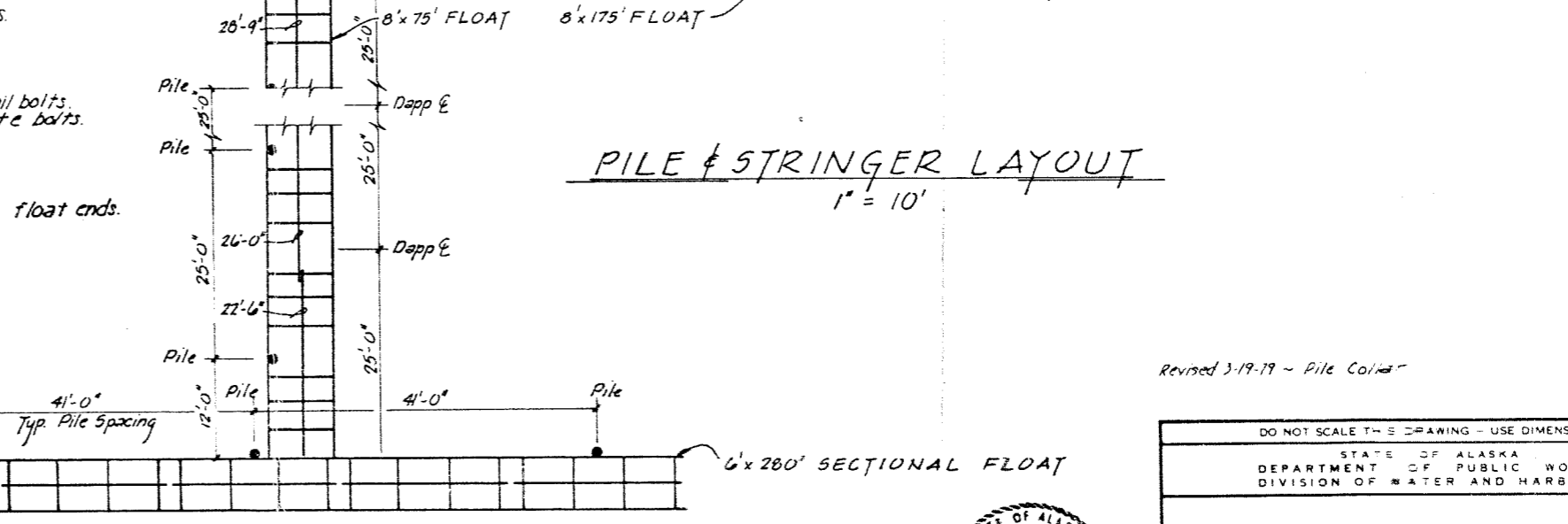
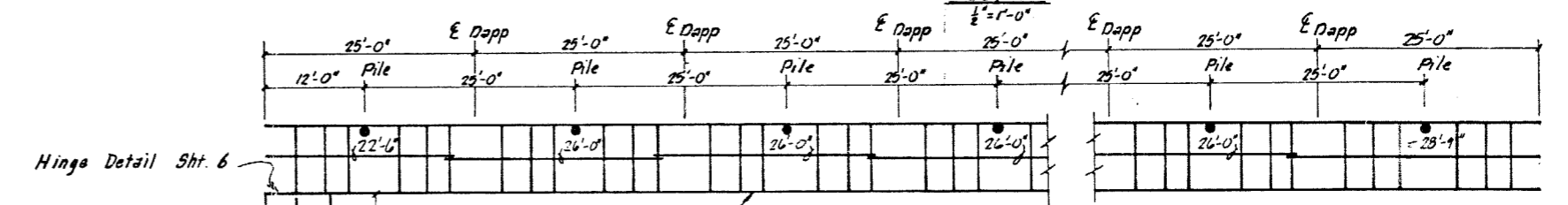
Note: See Specifications for Treatment.

MATERIALS		
ITEM	DRESSING	TREATMENT
3x6-4x6 upper sills	S-4-S	Creosote
2x10 siding	2"x10" see note	"
3x6 lower sill	S-4-S	"
6x6x7'-0" Pile Collar Stringer	"	"
4x6 interior stringers	"	"
6x6 exterior stringers	S-4-S	"
2x8 bumpers	"	Penta
4x6 blocking	"	"
6x6 rail	"	"
2x10 decking	Milled	"

Shop Drilled Holes:
 Tiedown rails - all holes.
 Stringers - holes for stringer to sill bolts.
 Sills - holes for floatation billet bolts.
 Collar Stringers - all holes.
 Rail blocking - all holes.

Field Drilled Holes:
 Exterior stringer - holes for tiedown rail bolts, holes for collar plate bolts.
 Interior stringer - all holes.
 Sills - holes for stringer to sill bolts.
 Pile Collars - all holes.

Tiedown rails shall extend across float ends.

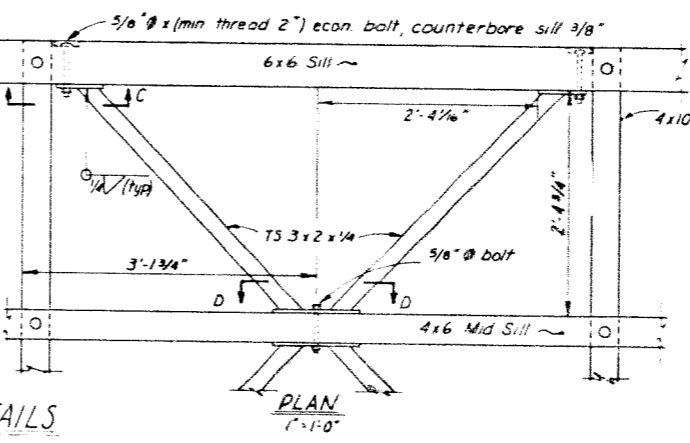
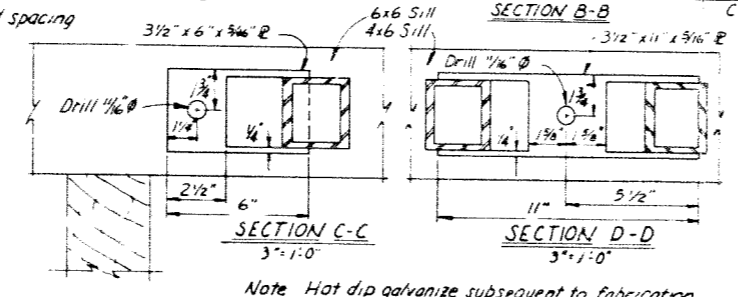
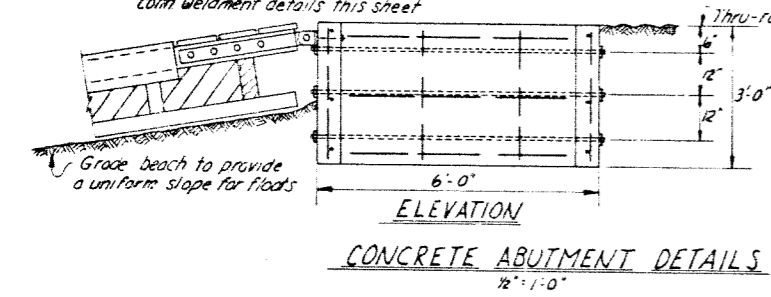
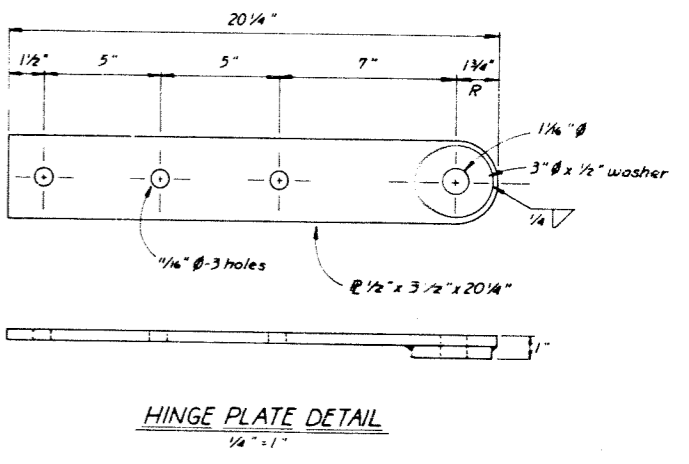
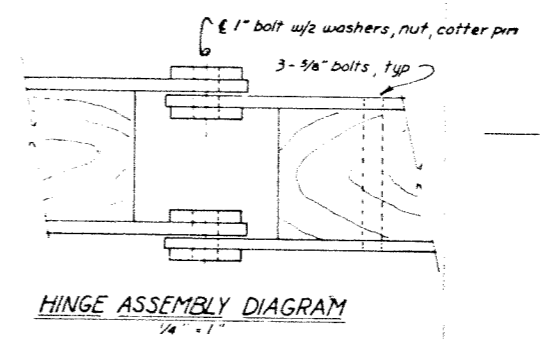
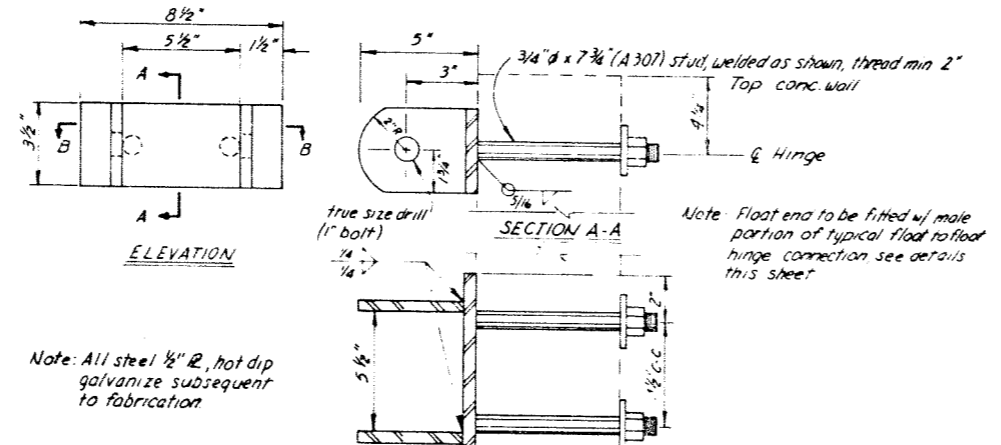
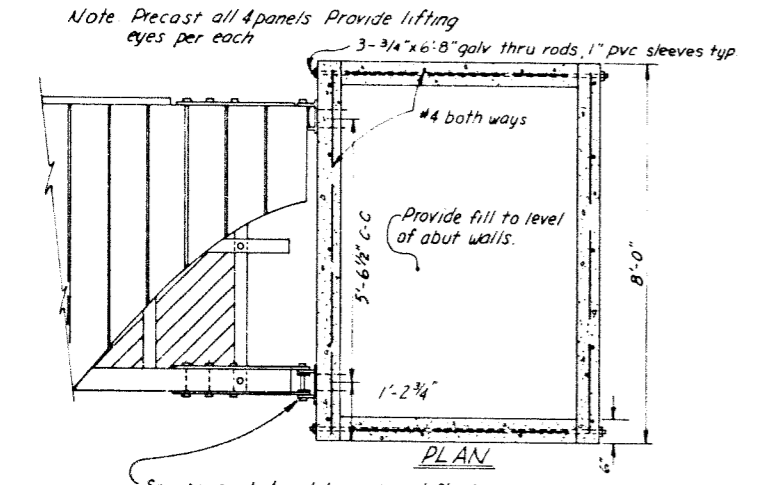
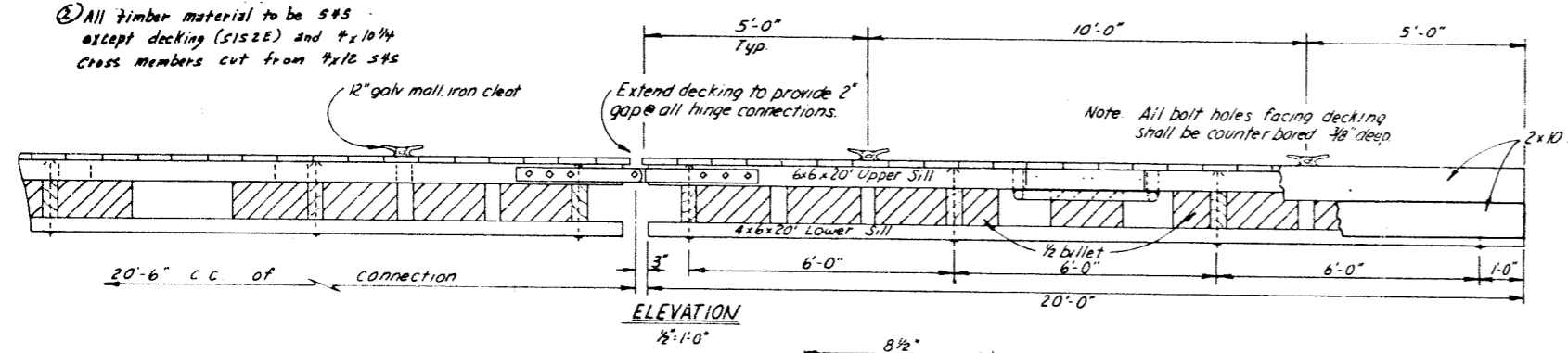
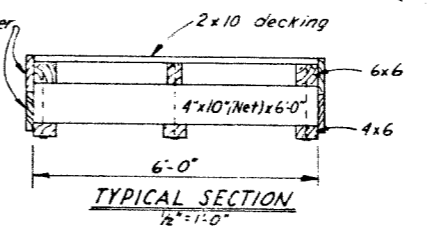
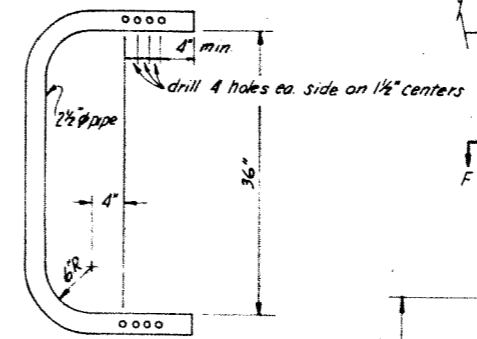
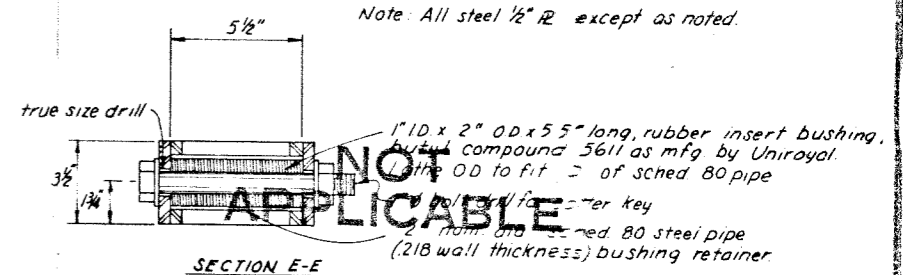
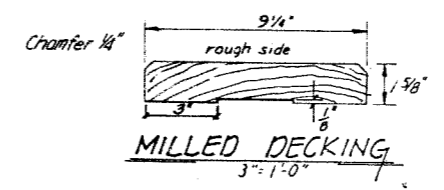
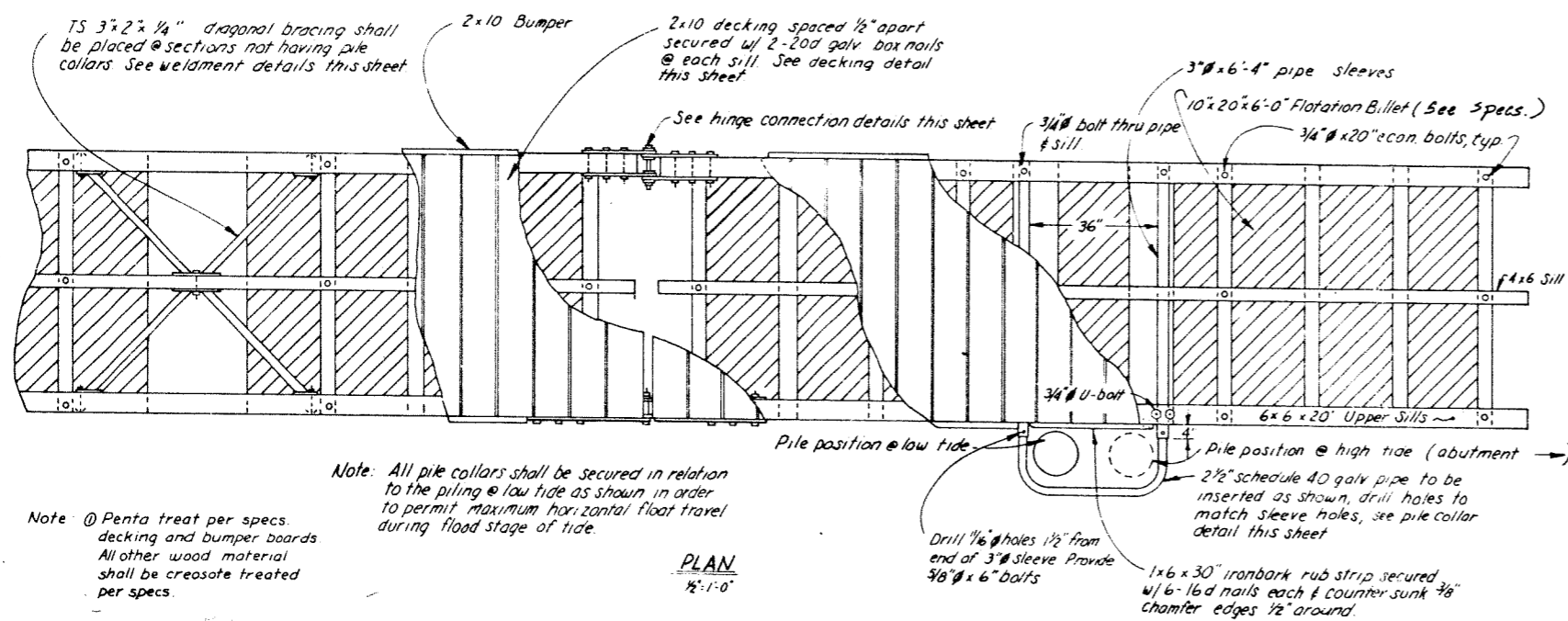


NOTES:
 All pressure treated material shall be cut to size prior to treatment, and shall be per specifications.
 Exact width of siding to conform to thickness of floatation billets.
 All piles shall be per specifications.
 All hardware shall be hot-dipped galvanized. A malleable iron washer shall be placed between all nut and wood surfaces. All bolts shall be of the economy headed type.
 Bolt holes to be drilled 1/4" oversize except sill bolt holes for floatation billets 1/8" over size. Drift holes to be drilled 1/4" undersize in the field. All bolt heads facing decking shall be countersunk 3/8" prior to treatment. All field drilled holes shall be treated with hot creosote oil.

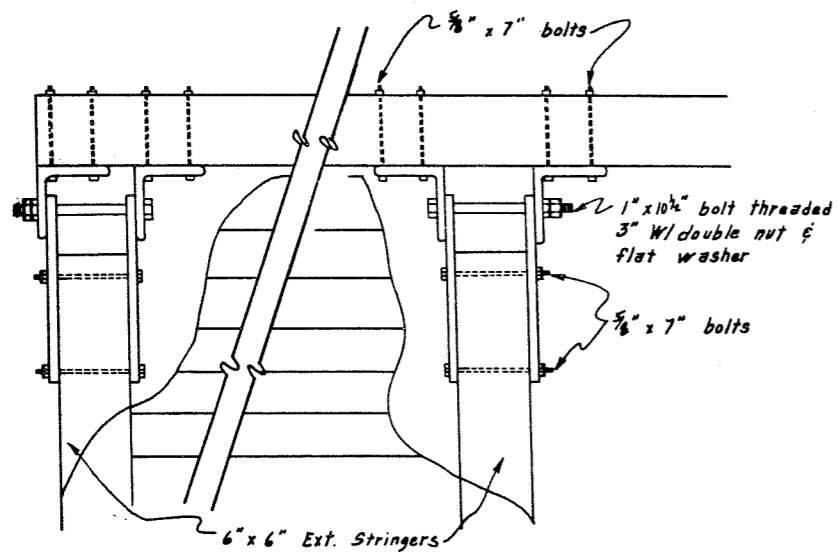


Revised 3-19-79 - Pile Collar

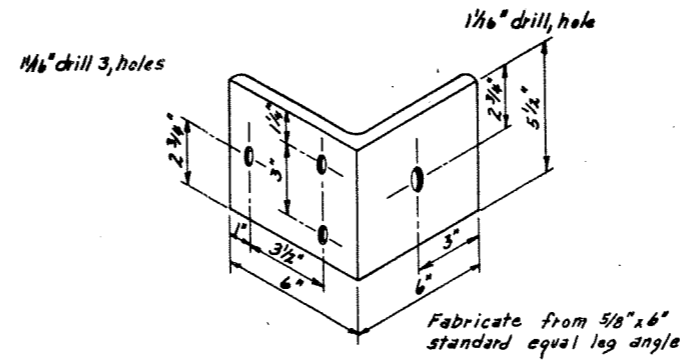
DO NOT SCALE THIS DRAWING - USE DIMENSIONS		
STATE OF ALASKA DEPARTMENT OF PUBLIC WORKS DIVISION OF WATER AND HARBORS		
8' FLOAT		
SCALE: AS NOTED	SURVEYED: [initials]	APPROVED: Robert P. Beck
DESIGNED: [initials]	DRAWN: [initials]	CHECKED: [initials]
CHECKED: [initials]	DATE: JAN 79	PROJECT NUMBER: K31149
SHEET 4 OF 6		



	DO NOT SCALE THIS DRAWING - USE DIMENSIONS		
	STATE OF ALASKA DEPARTMENT OF TRANSPORTATION AND PUBLIC FACILITIES DIVISION OF HARBOR DESIGN AND CONSTRUCTION		
6' SECTIONAL FLOAT			
SCALE As Noted	SURVEYED	APPROVED	
DESIGNED	DRAWN TS	Robert P. Beck	
CHECKED	DATE NOV 79	CHIEF OF DESIGN	
PROJECT NUMBER K31149	SHEET 5		OF 6

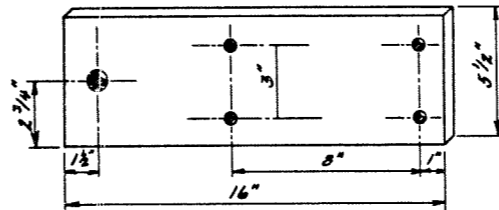


HINGE CONNECTION DETAIL
1 1/2" = 1'-0"

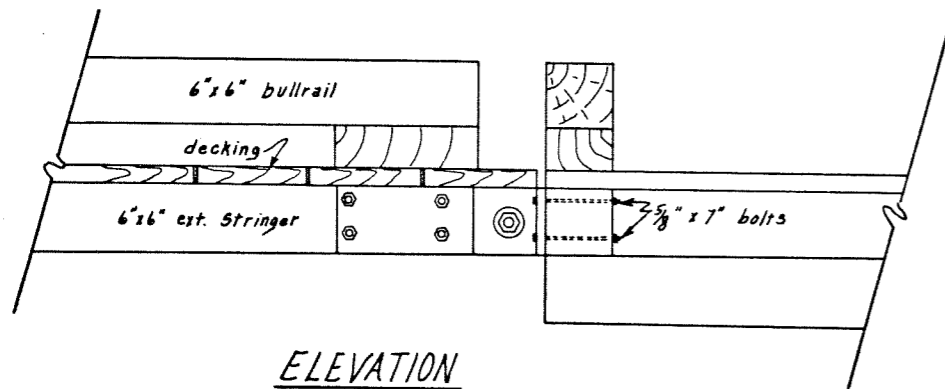


ANGLE CLIP DETAIL
3" = 1'-0"

1/16" drill 4, holes
1/16" drill hole
1/2" mild steel plate



STANDARD PLATE DETAILS
3" = 1'-0"



ELEVATION
1 1/2" = 1'-0"

STAMP		DO NOT SCALE THIS DRAWING - USE DIMENSIONS	
		STATE OF ALASKA DEPARTMENT OF TRANSPORTATION AND PUBLIC FACILITIES DIVISION OF HARBOR DESIGN AND CONSTRUCTION	
		<u>HINGE CONNECTION DETAILS</u>	
SCALE	SURVEYED	APPROVED	
DESIGNED <i>[Signature]</i>	DRAWN <i>[Signature]</i>	 Robert P. Beck CHIEF OF DESIGN	
CHECKED	DATE <i>5/24/12</i>		
PROJECT NUMBER	K 31149	SHEET 6 OF 6	