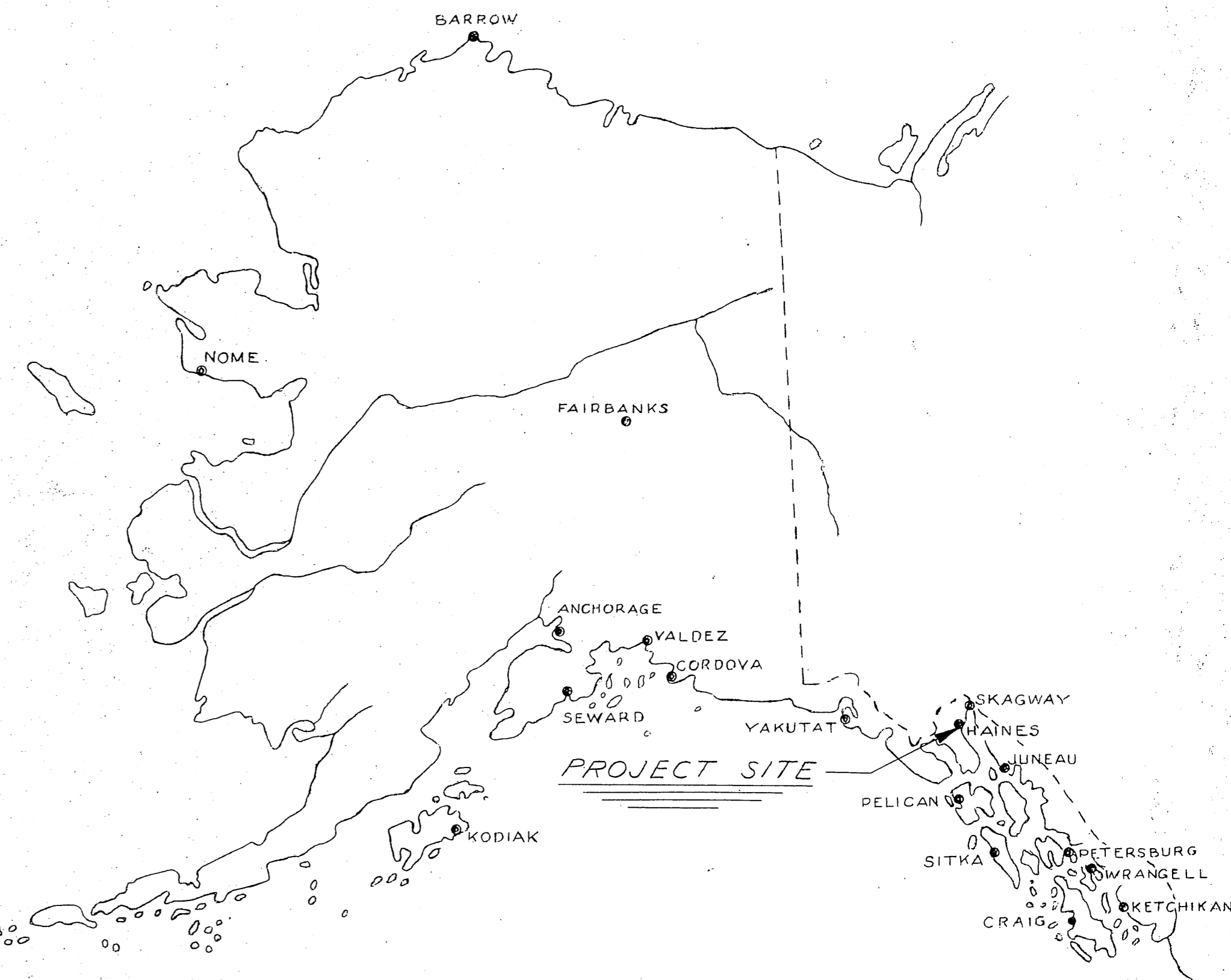


STATE OF ALASKA

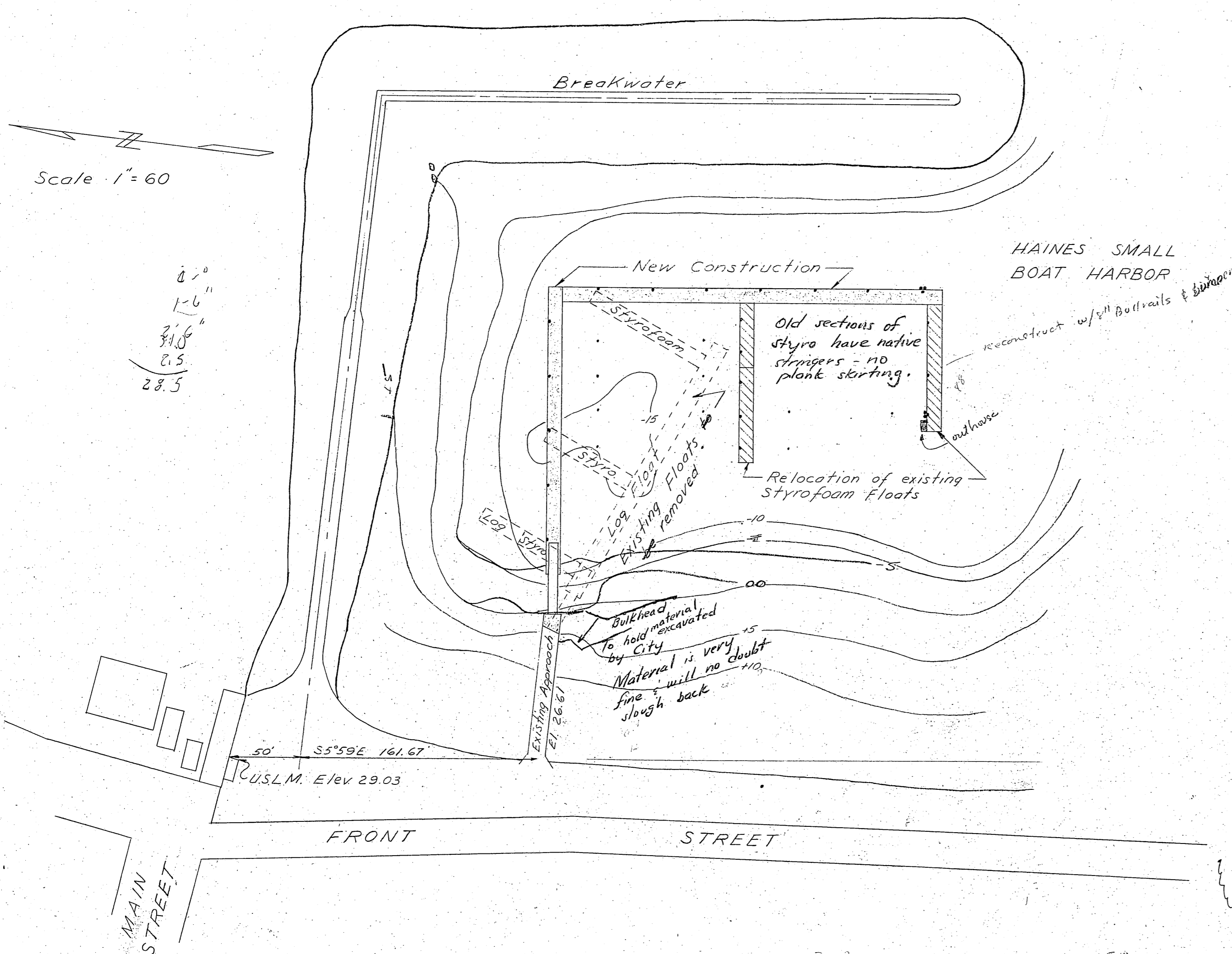
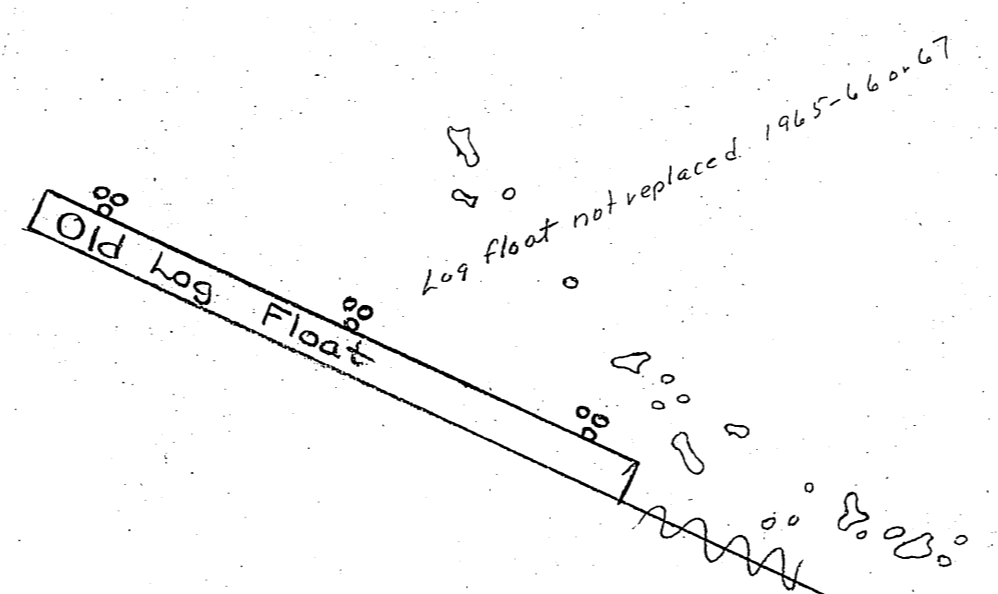
DEPARTMENT OF PUBLIC WORKS

DIVISION OF WATER & HARBORS

HAINES FLOAT FACILITIES  
PROJECT NO. W6209



PORTAGE COVE.

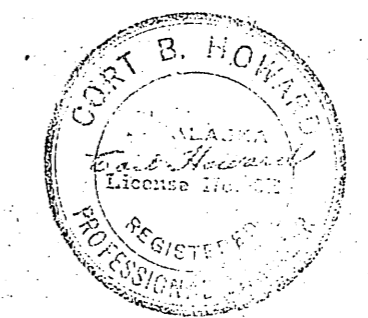


WORK SUMMARY

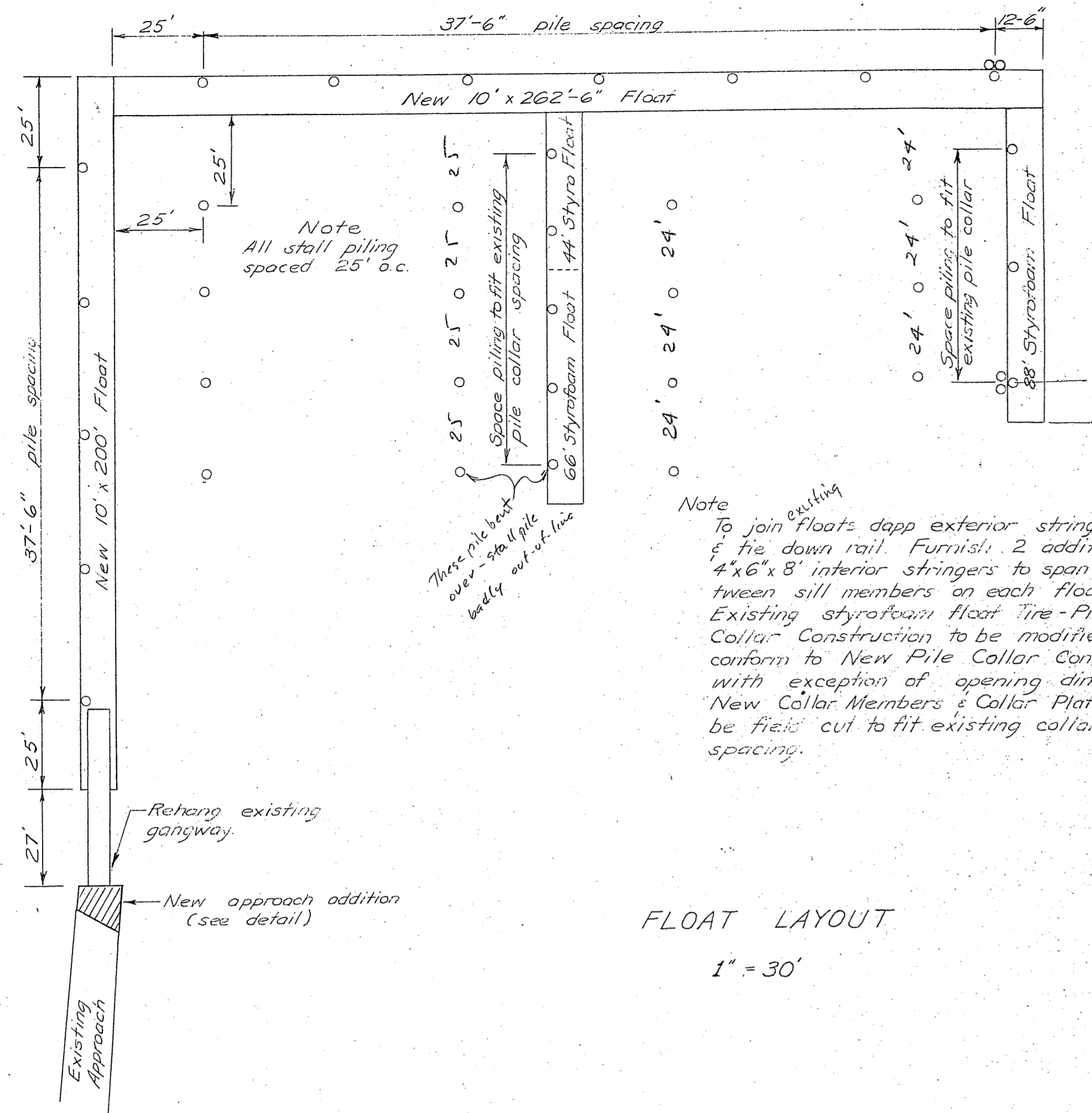
Major units of this project shall include the removal of all existing floats & piling, construction of 4625 S.F. of floats, replacement of existing styrofoam floats, furnishing & installing 122 S.L.F. of float piling, driving 15 stall piling, & construction of 132 S.F. of approach.

INDEX TO SHEETS

TITLE SHEET	SHEET 1
FLOAT LAYOUT & DETAILS	" 2
TYPICAL FLOATS	" 3

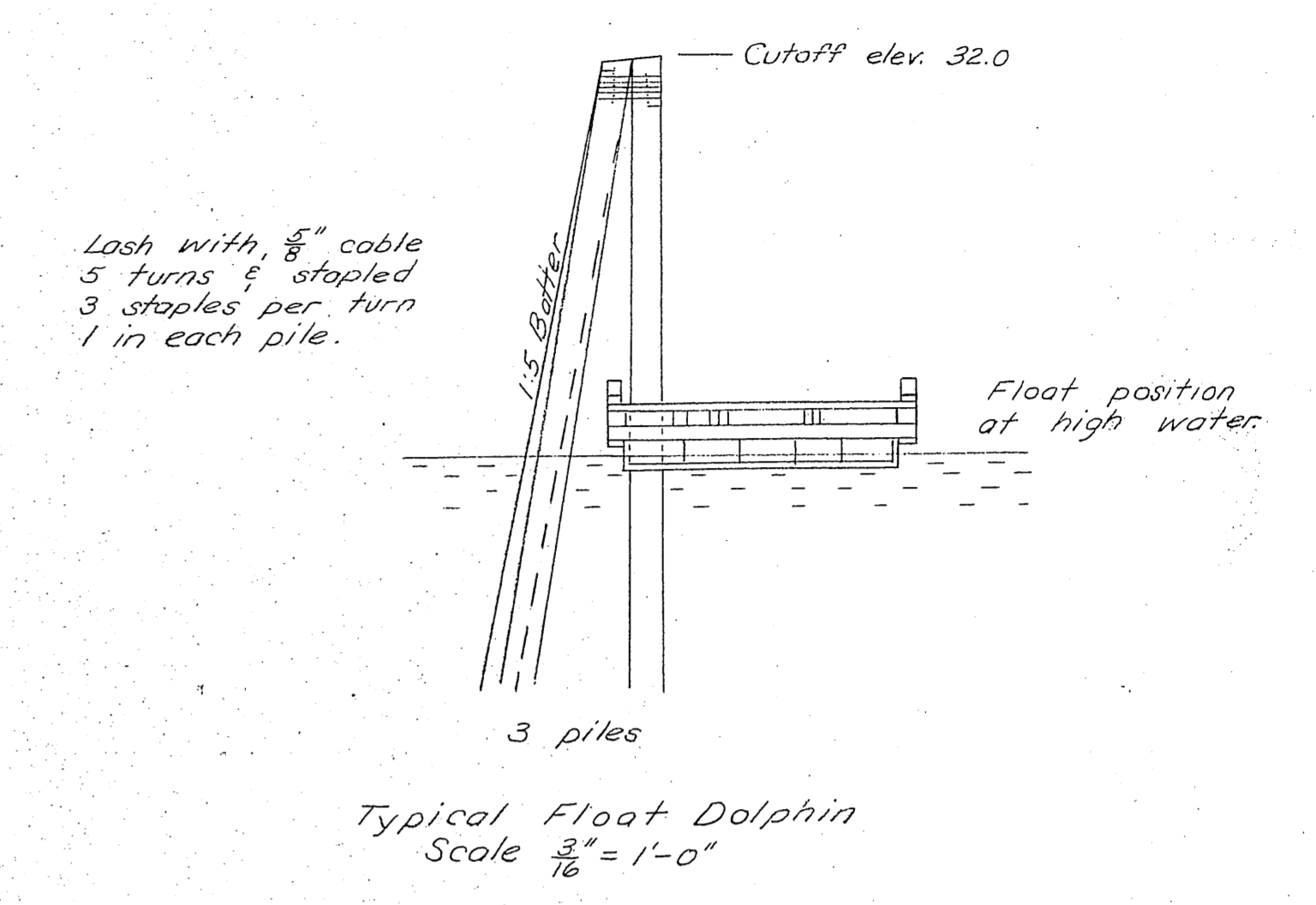


DATE 1/5/62 APPROVED *[Signature]* COMMISSIONER

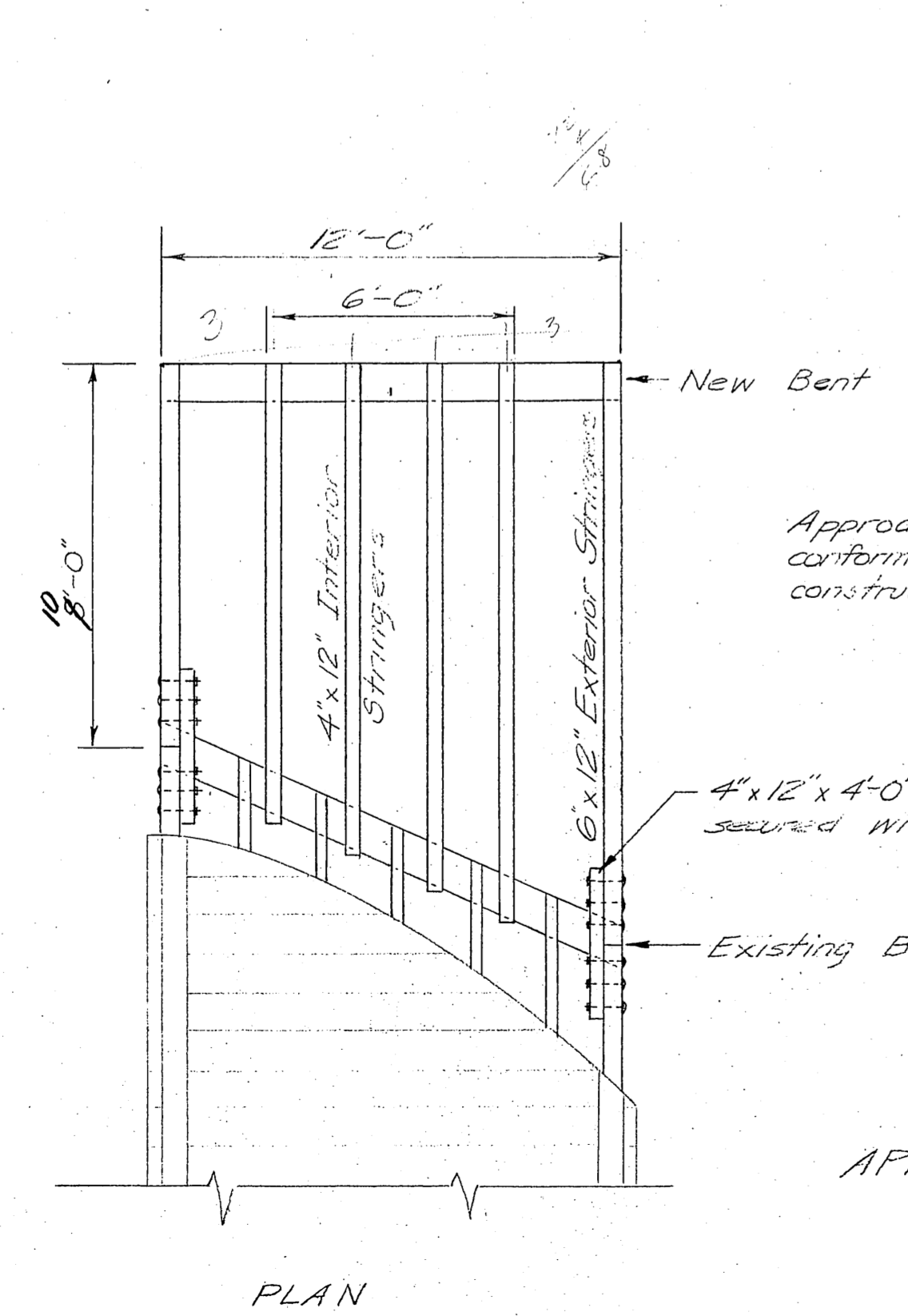


FLOOR LAYOUT  
1" = 30'

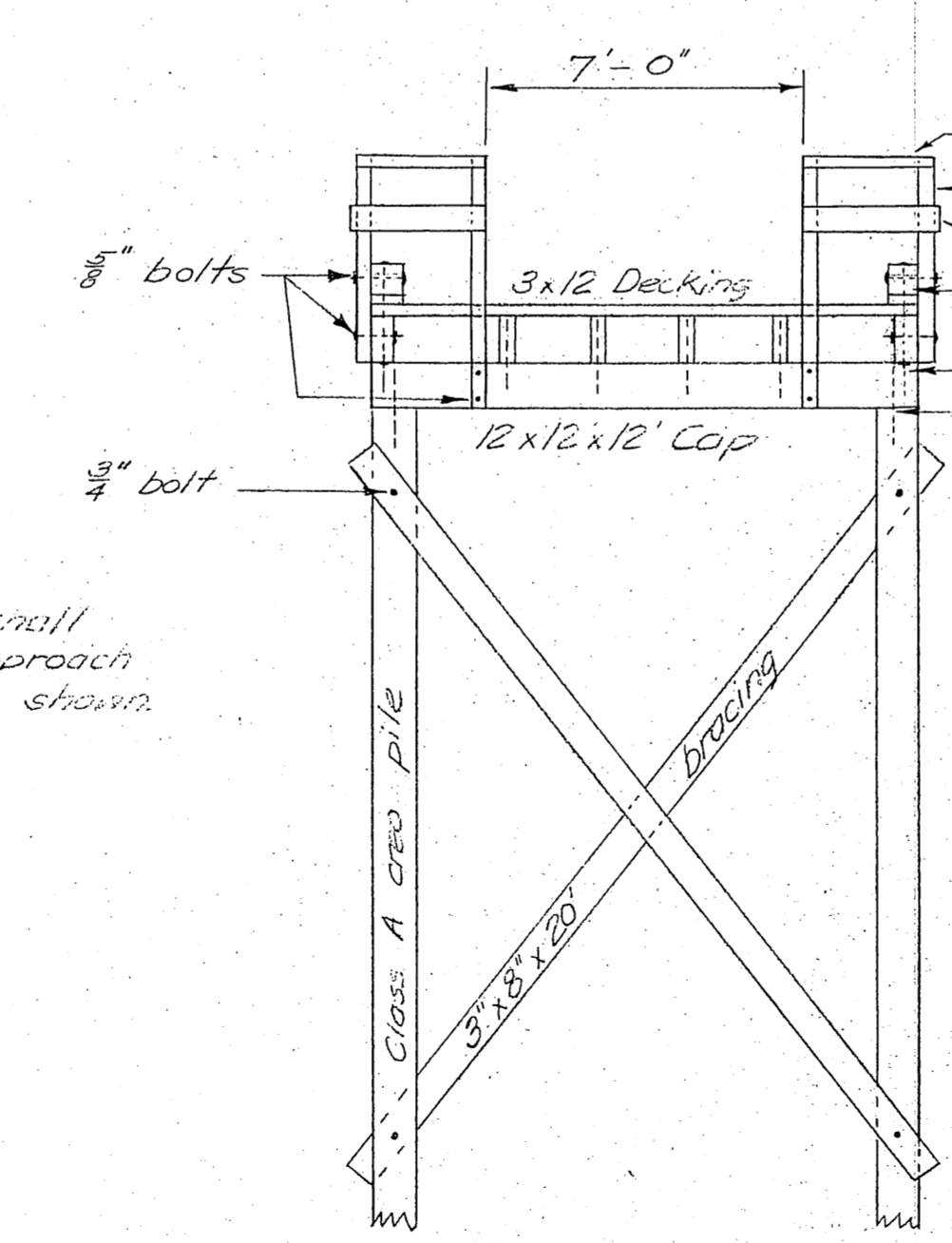
NOTES  
Existing floats to be removed. Log float shall be turned over to the City of Haines. Existing styro floats to be reused as shown. Existing float & stall piling (17) shall be reused as stall piling only. All float piling shall be new. Piling shall be driven to 10' penetration or refusal averaged 6.0' pen. as may be determined by the Engineer. Single float piling cutoff elev. +32.0 Left majority at 32.0 due to excess piling. Dolphin piling cutoff elev. +32.0



Typical Float Dolphin  
Scale 3/16" = 1'-0"



PLAN



END VIEW

MATERIALS				
	ITEM	GRADE	DRESSING	CREATREAT.
DOUGLAS FIR or WESTERN HEMLOCK	PILING	Class A		12" Ret.
	BRACING	Const.	Rough	" "
	CAPS	"	S2E	10" "
	STRINGERS	"	S2E	" "
	SPLICE BLOCKS	"	"	" "
SITKA SPRUCE	SCUPPER BLOCKS	"	S4S	None
	DECKING	"	S1S	None
	HANDRAILS	"	S4S	"
	HANDRAIL POSTS	"	"	"
	GIRTS	"	"	"
	WHEEL GUARDS	"	"	"

NO.	DATE	REVISION	BY
STATE OF ALASKA DEPARTMENT OF PUBLIC WORKS DIVISION OF WATER AND HARBORS			
HAINES FLOAT FACILITIES Float Layout & Approach Details			
SCALE As shown		APPROVED <i>R.A. Downing</i> COMMISSIONER	
DATE 7 JAN 62		SURVEYED BY <i>DS DM</i> DRAWN BY <i>DS DM</i> CHECKED BY	
PROJ. NO. <i>W-6209</i>		STAMP CO. WHITESTONE, N.Y. U.S.A.	