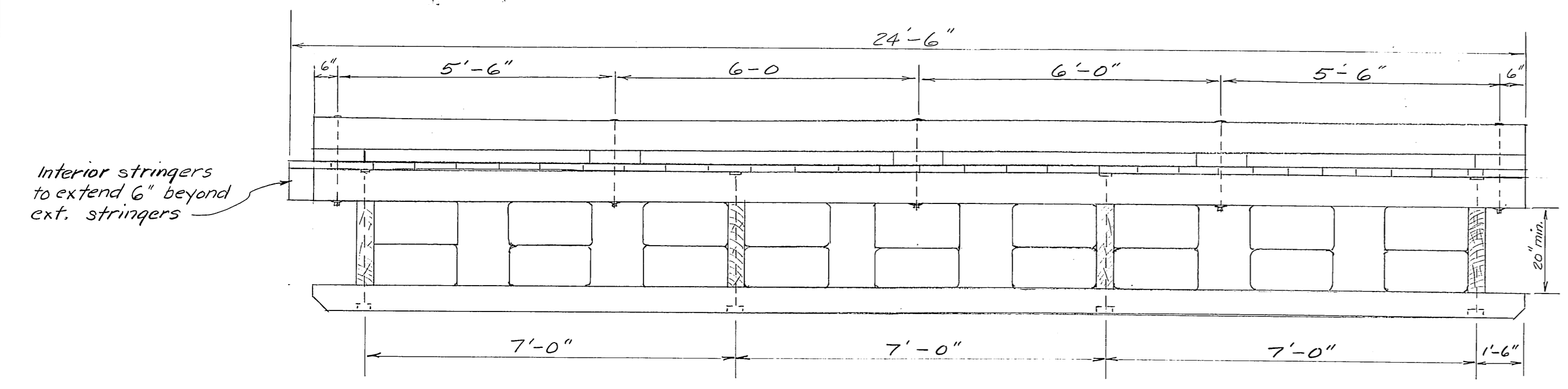
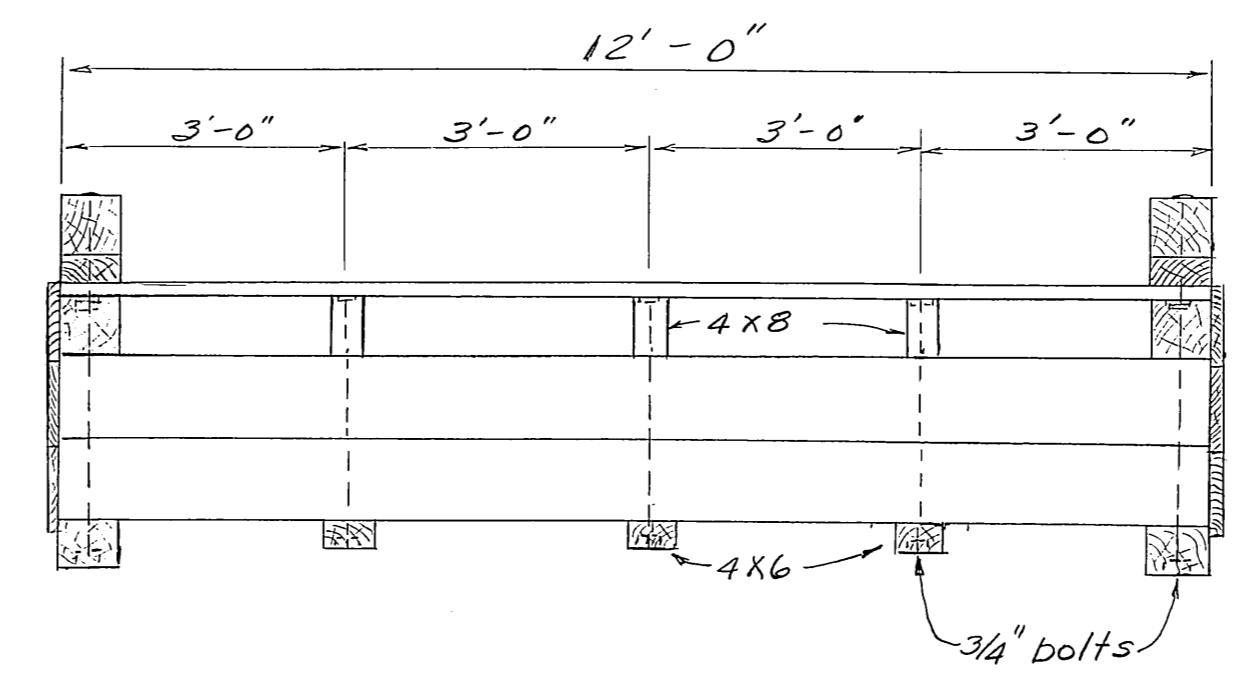


PLAN



ELEVATION
1/2" = 1'-0"



SECTION
1/2" = 1'-0"

- NOTES**
1. Tiedown rails, blocking & decking to be 0.5" penta (LP33)
 2. Stringers to be creosote treated to 10" l.c.f. (LP55)
 3. Crossmembers & runners " " " "
 4. All hardware to be galvanized.
 5. Salvage gangway guide rails & install this float.

- 8x8 Tiedown Rail S4S
- 4x8 Blocking "
- 2x10 Decking S1S2E
- 2x10 Rub member S1S2E
- 8x8 Ext. Stringers S4S
- 4x8 Int. "
- 4x10 or 4x20 Crossmembers (Full size)
- 4x6 Int. runners S4S
- 6x8 Ext. runners "

STAMP	DO NOT SCALE THIS DRAWING - USE DIMENSIONS	
	STATE OF ALASKA DEPARTMENT OF TRANSPORTATION AND PUBLIC FACILITIES HARBOR DESIGN AND CONSTRUCTION	
<u>LETNIKOF COVE</u>		
<u>GANGWAY FLOAT</u>		
SCALE 1/2" = 1'	SURVEYED	APPROVED
DESIGNED DCW	DRAWN DCW	
CHECKED	DATE 2-25-83	
PROJECT NUMBER K78146	SHEET 1 OF 1	