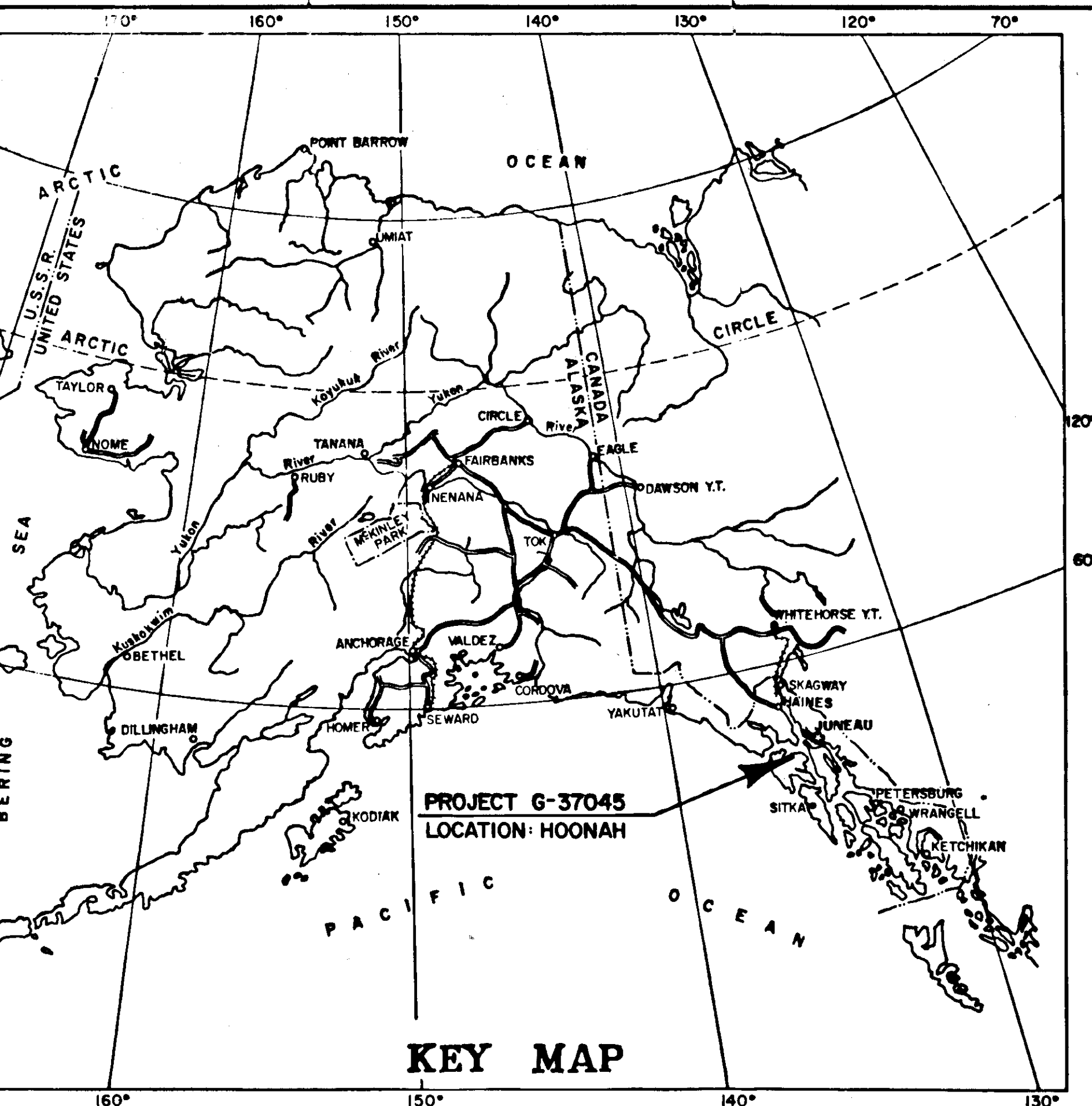


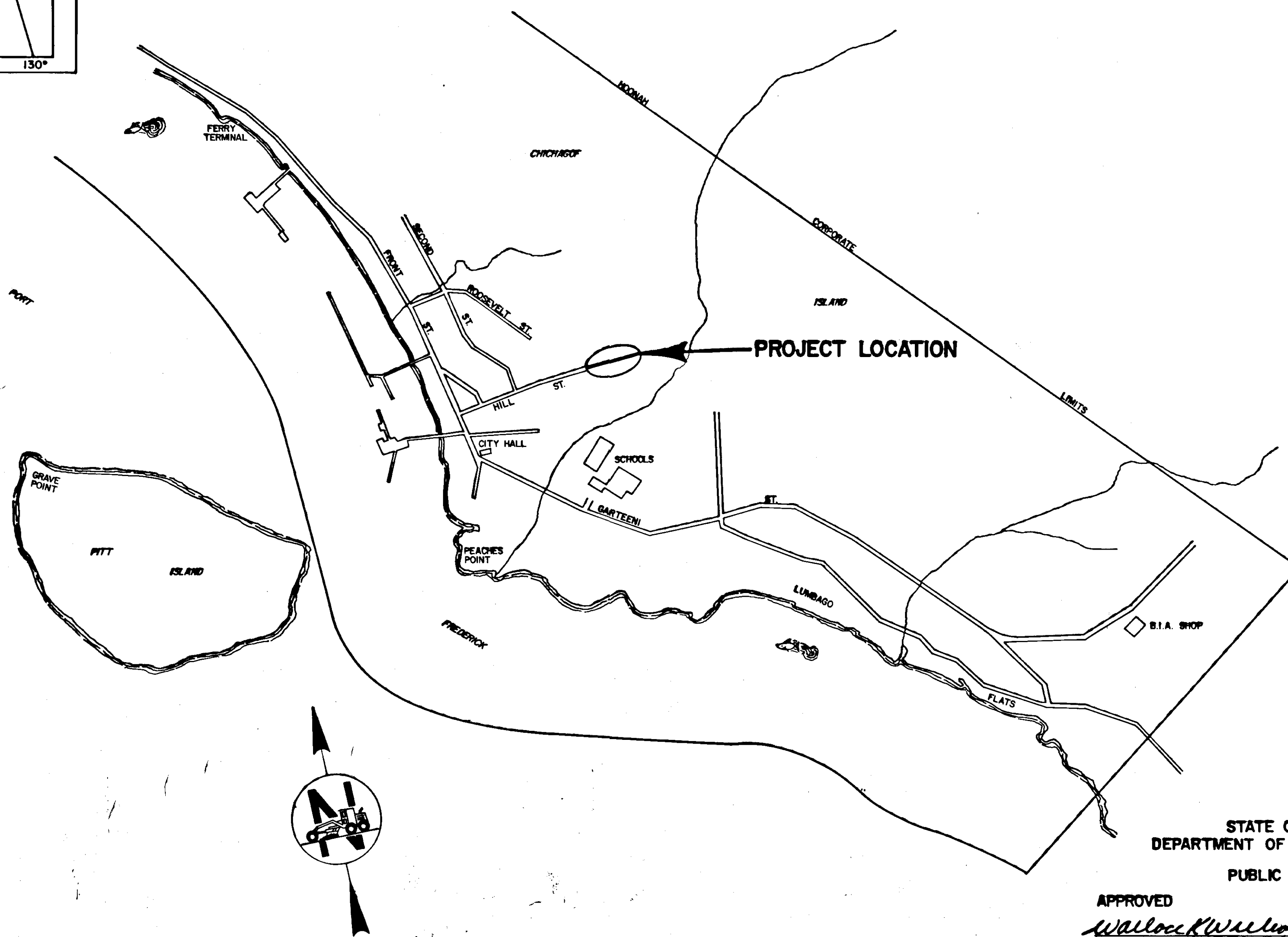
STATE	PROJECT	SHEET NO.	TOTAL SHEETS
ALASKA	G-37045	1	3



STATE OF ALASKA DEPARTMENT OF TRANSPORTATION & PUBLIC FACILITIES

PLAN AND PROFILE PROPOSED HIGHWAY PROJECT G-37045 HOONAH HILL ST. STAIRWAY

INDEX OF SHEETS	
PAGE	DESCRIPTION
1	TITLE SHEET
2	PLAN & PROFILE
3	STAIRWAY DETAILS



"AS BUILT" PLAN
 CONTRACTOR: LONG BAY CONSTRUCTION
 P.O. BOX 242
 SKAGWAY ALASKA 99840
 BEGIN: JULY 7, 1982
 END: JULY 23, 1982
 PROJECT ENGINEER: PAUL E. JONES

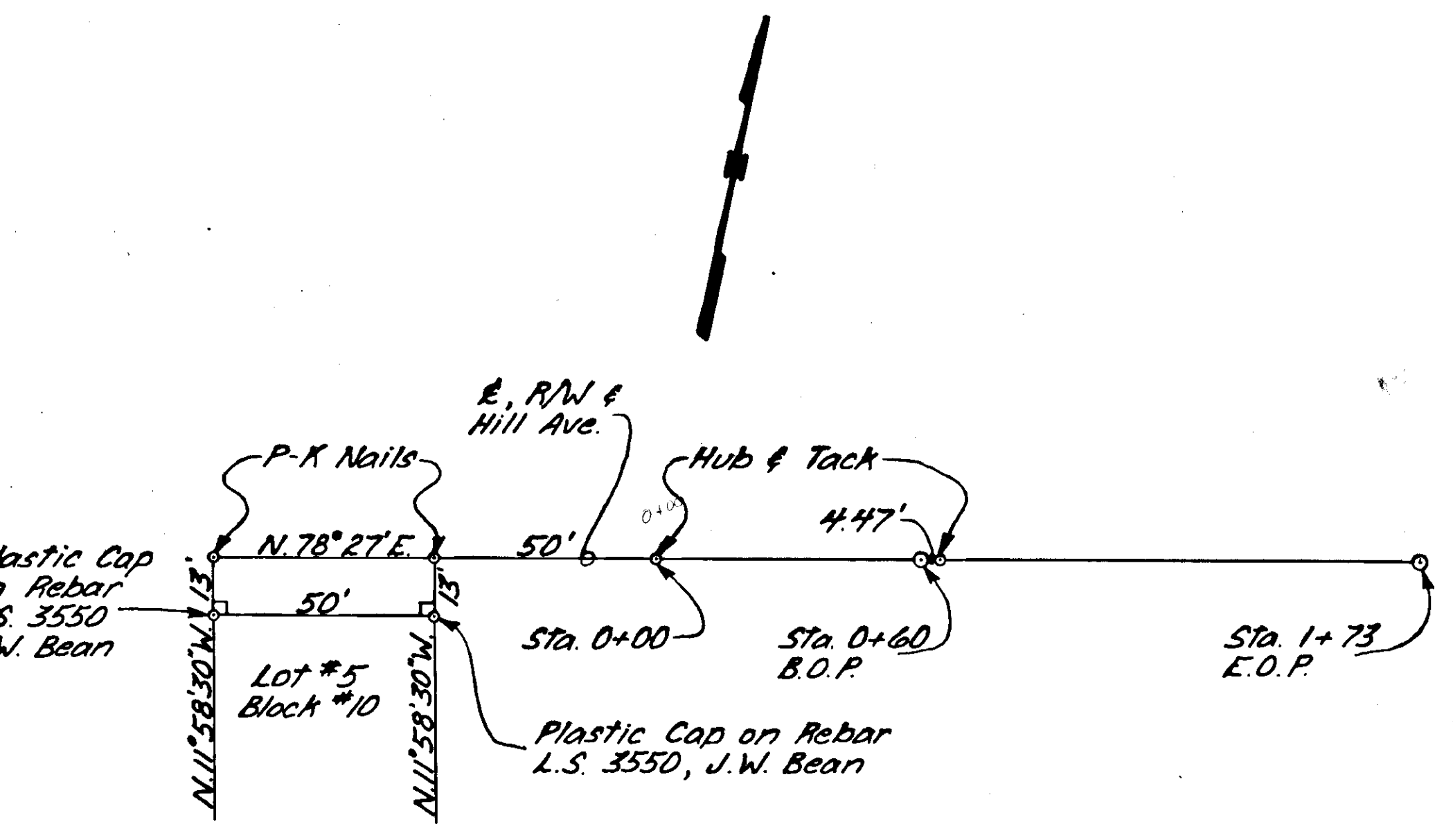
STATE OF ALASKA
DEPARTMENT OF TRANSPORTATION
&
PUBLIC FACILITIES

APPROVED
Wallace Williams Date 3-1-82
SOUTHEASTERN REGION DESIGN/CONST. ENGINEER

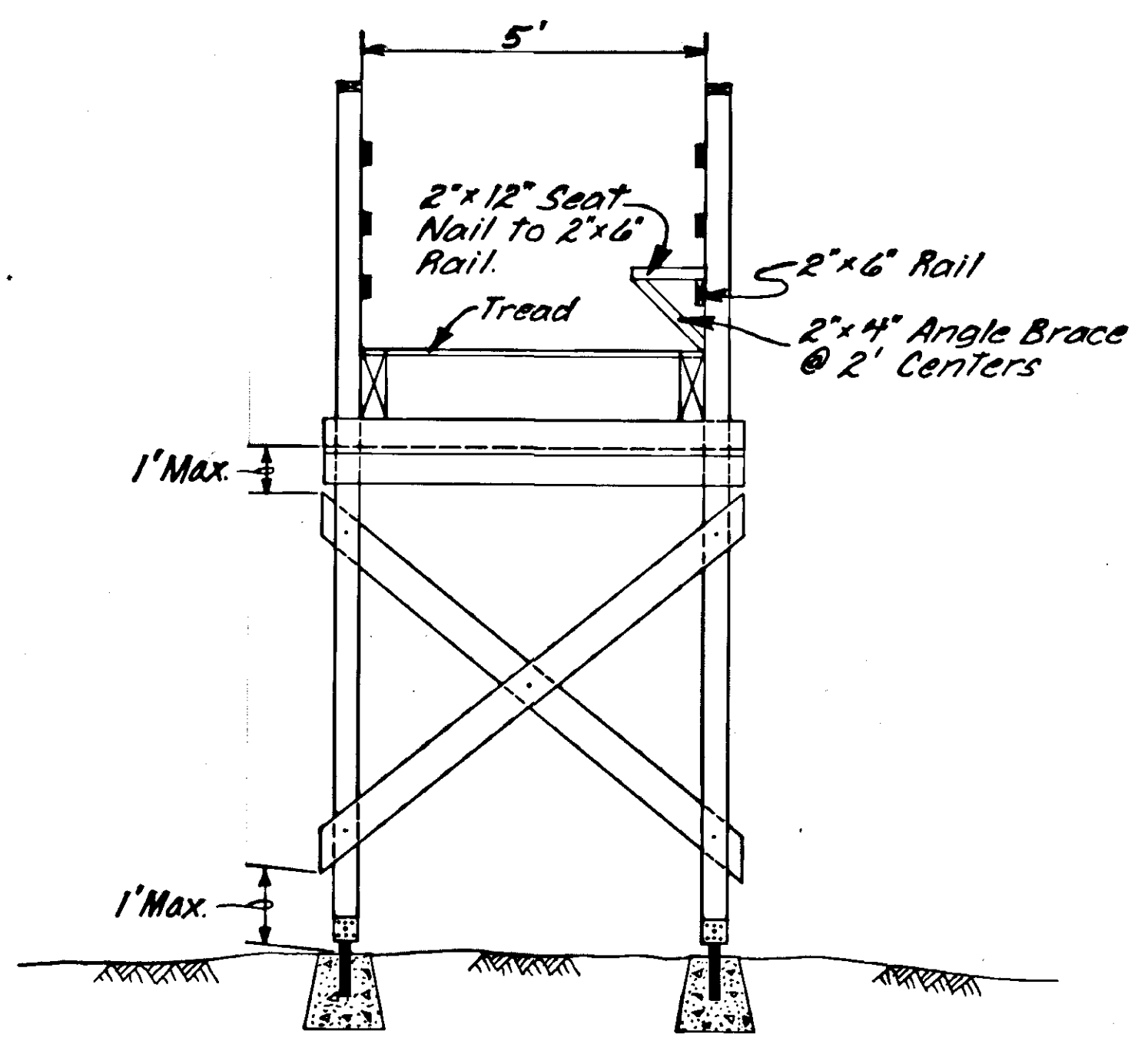
STATE OF ALASKA
DEPARTMENT OF TRANSPORTATION
&
PUBLIC FACILITIES

APPROVED
Charles J. ... Date 3/1/82
DIRECTOR, HIGHWAY DESIGN/CONSTRUCTION

STATE	PROJECT DESIGNATION	YEAR	SHEET NO.	TOTAL SHEETS
ALASKA	6-37045	1982	2	3

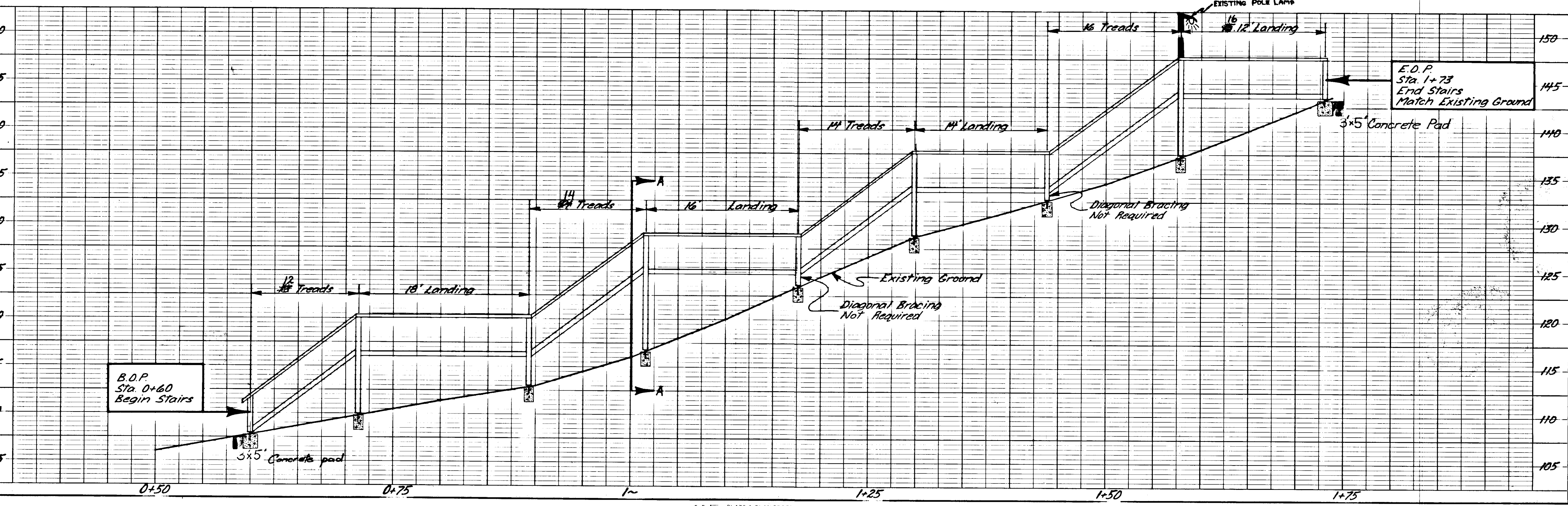
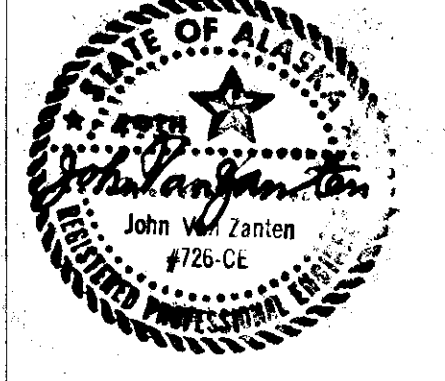


PLAN
SCALE: 1" = 30'



LANDING NO. 2
SECTION A-A
SCALE: 1/2" = 1'

NOTES
1. Lengths are approx. only & are subject to minor field revisions.

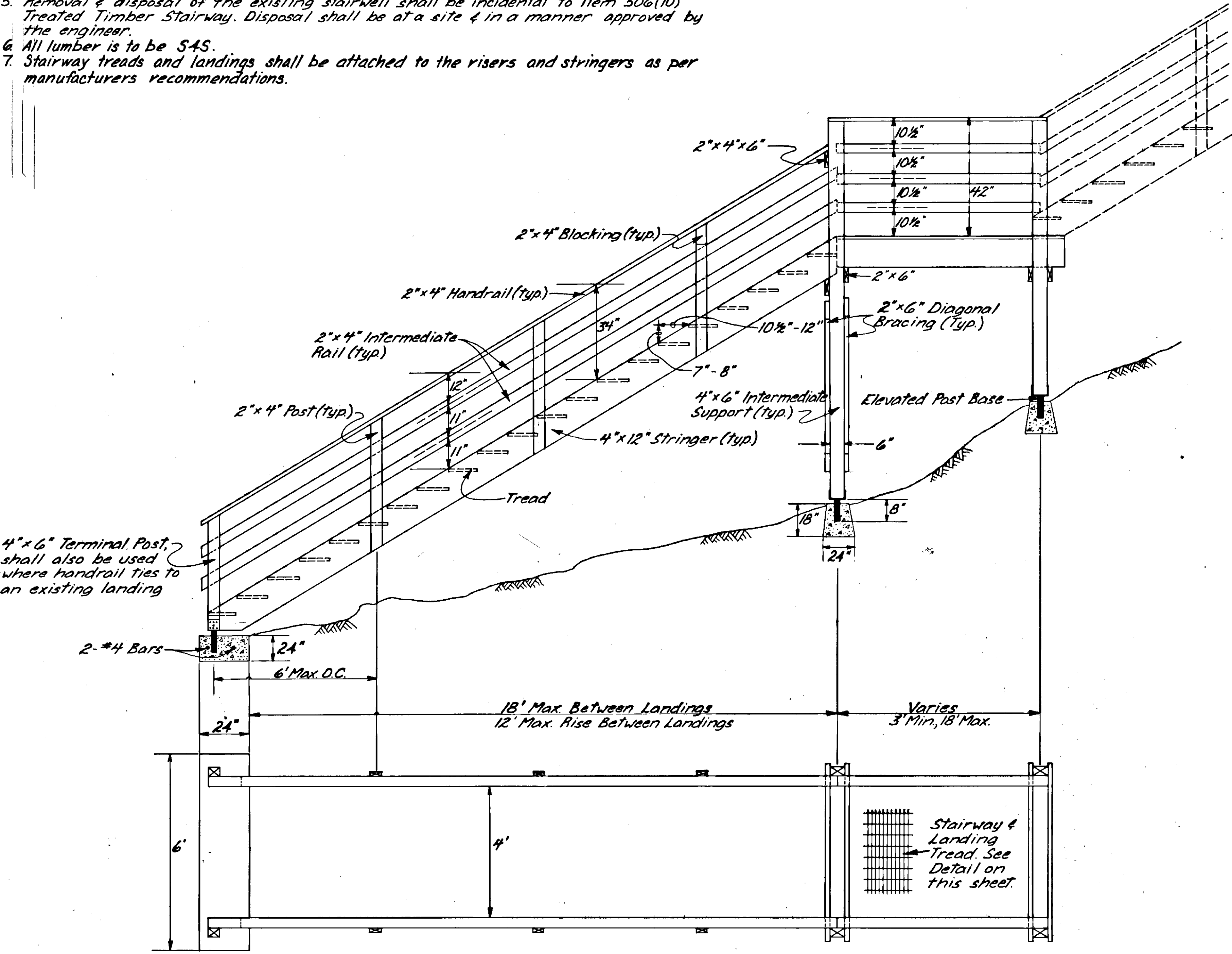


STATE	PROJECT DESIGNATION	YEAR	SHEET NO.	TOTAL SHEETS
ALASKA	G-37045	1982	3	3

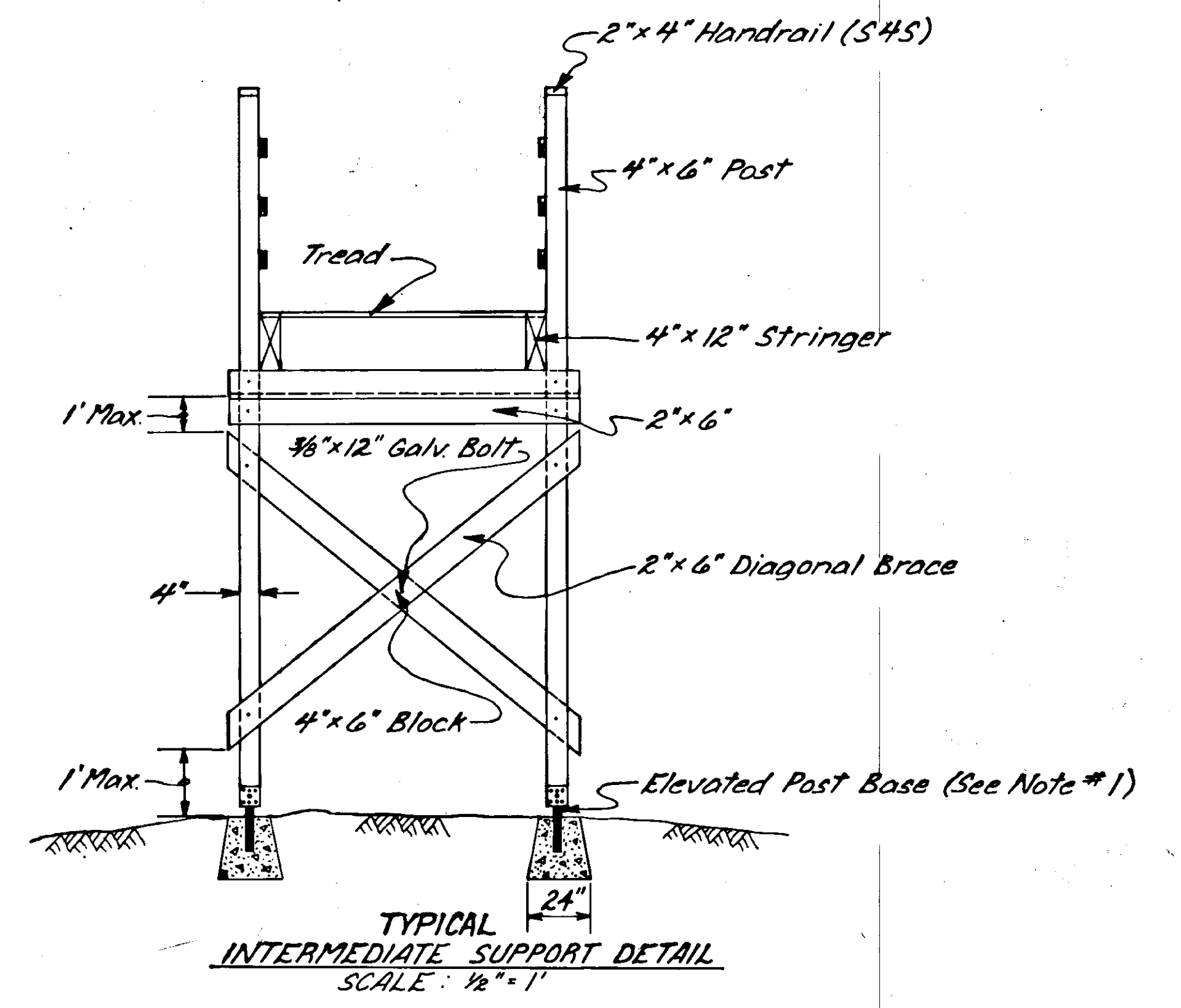
STAIRWAY STANDARD DETAILS

NOTES

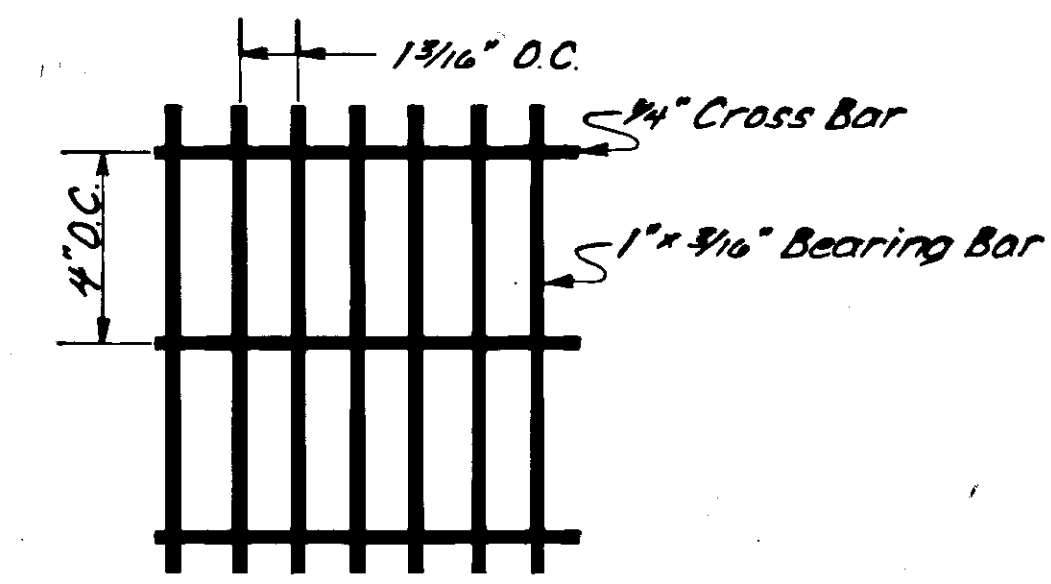
1. Post bases shall be Heckman No. 568, Simpson EPB. 46 with $\frac{1}{16}$ " center hole, or equal.
2. Fasteners:
 Diagonal bracing to intermediate support: $4 \times \frac{3}{8}$ " galv. lag bolts (2 each)
 Treads to stringers: $3 \times \frac{3}{8}$ " galv. lag bolts (2 each side)
 Handrail post to stringer: $4 \times \frac{3}{8}$ " galv. lag bolts (2 each)
 Stringer to intermediate support: $6 \times \frac{3}{8}$ " galv. lag bolts (2 each)
 Intermediate support to post base: $8 \times \frac{1}{2}$ " galv. bolts (2 each)
 All other connections may be made with galv. l&d nails in accordance with the uniform building code. Washers shall be used on all bolts not bearing on metal.
3. All misc. metal hardware shall be galvanized in accordance with A.S.T.M.-A-153.
4. Footings shall be on undisturbed soil & shall be a minimum of 18" deep.
5. Removal & disposal of the existing stairwell shall be incidental to Item 506(10) Treated Timber Stairway. Disposal shall be at a site & in a manner approved by the engineer.
6. All lumber is to be S4S.
7. Stairway treads and landings shall be attached to the risers and stringers as per manufacturers recommendations.



STAIRWAY PLAN & PROFILE TYPICAL
SCALE: $\frac{1}{2}$ " = 1'



TYPICAL INTERMEDIATE SUPPORT DETAIL
SCALE: $\frac{1}{2}$ " = 1'



TREAD DETAIL
NO SCALE

