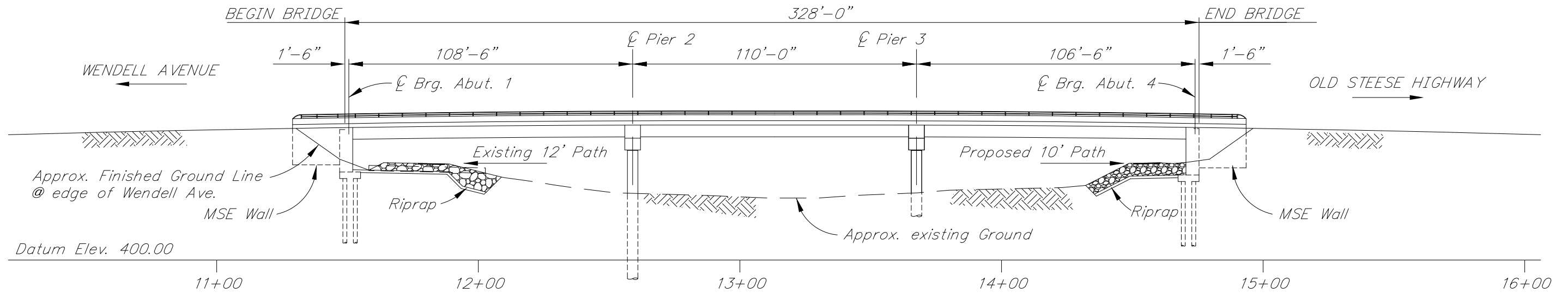


CONCEPT BRIDGE ABUTMENTS

WENDELL AVENUE BRIDGE
 OPEN HOUSE MEETING
 MAY 8, 2013

CAST IN PLACE (CIP) VERTICAL ABUTMENTS (Preferred Option)

- ALLOWS SHORTER BRIDGE
- HIGHER COST ABUTMENTS BUT LOWER COST BRIDGE
- PATH SECURITY ENHANCED BY LIGHTING ON THE WALLS
- SPACE BETWEEN GIRDERS NOT CONVENIENTLY ACCESSIBLE



SLOPED RIPRAP ABUTMENTS

- REQUIRES LONGER BRIDGE
- LOWER COST ABUTMENTS BUT HIGHER COST BRIDGE
- SPACE BETWEEN GIRDERS ACCESSIBLE
- ANGULAR ROCK SURFACE MAY DETER LOITERING

