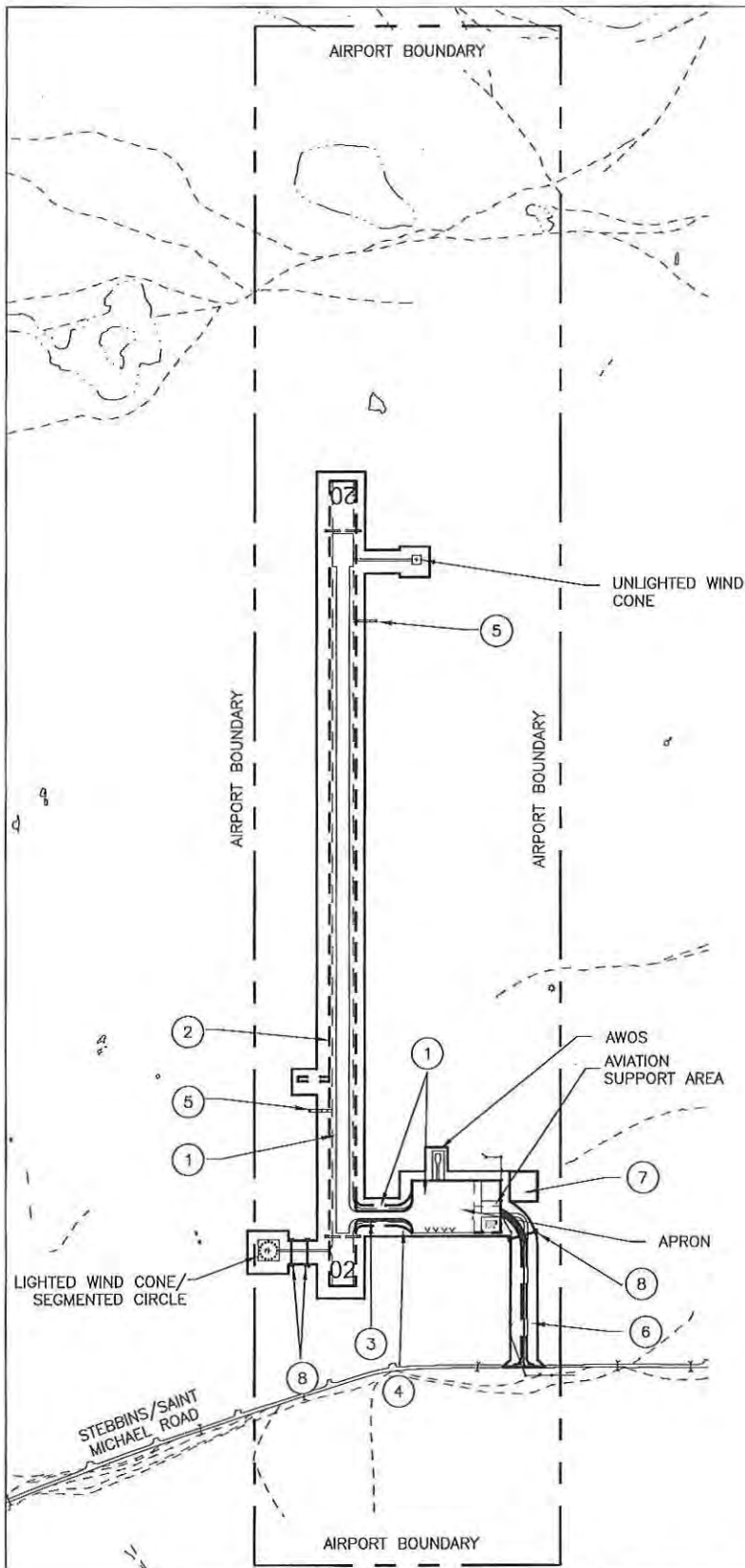
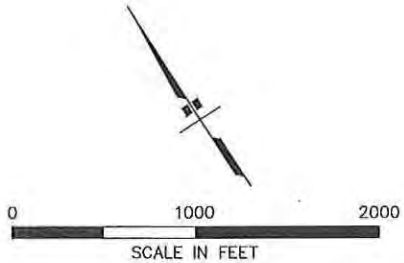


Applicant: DOT&PF
 POA-1992-439
 Sheet 1 of 8
 LOCATION/ VICINITY MAP

Date: 4/20/2016

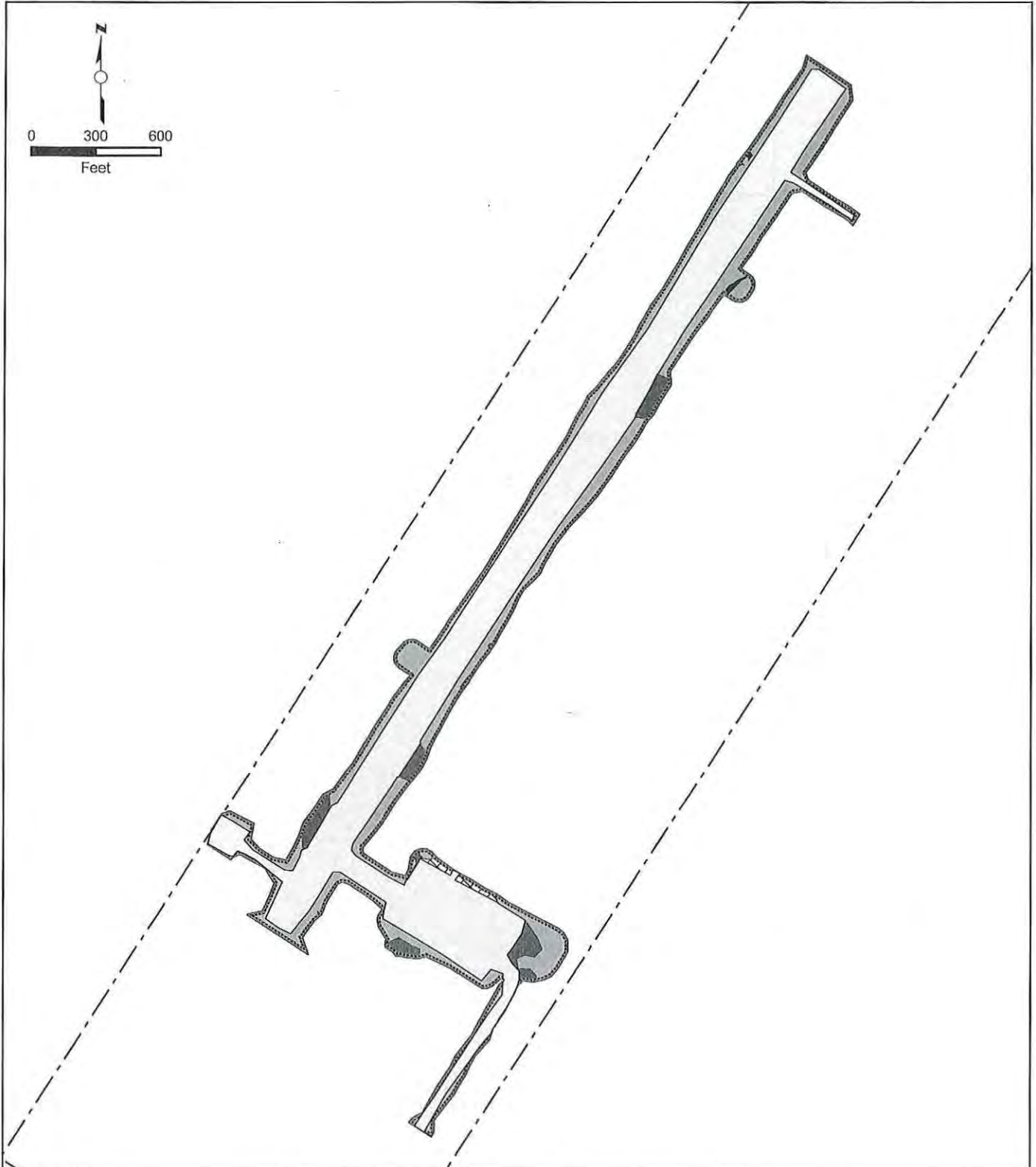
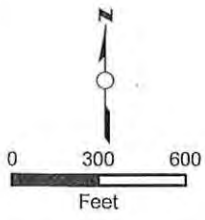


- PROPOSED ACTION**
- ① RESURFACE RUNWAY, TAXIWAY, APRON AND SAFETY AREAS
 - ② WIDEN RUNWAY SAFETY AREA FROM 120ft TO 150ft
 - ③ WIDEN TAXIWAY FROM 35ft TO 50ft
 - ④ WIDEN TAXIWAY SAFETY AREA FROM 79ft TO 118ft
 - ⑤ CONSTRUCT PRECISION APPROACH PATH INDICATOR PADS
 - ⑥ REALIGN AND WIDEN AIRPORT ACCESS ROAD
 - ⑦ EXPAND APRON AND AVIATION SUPPORT AREA
 - ⑧ CROSS DRAINAGE CULVERT



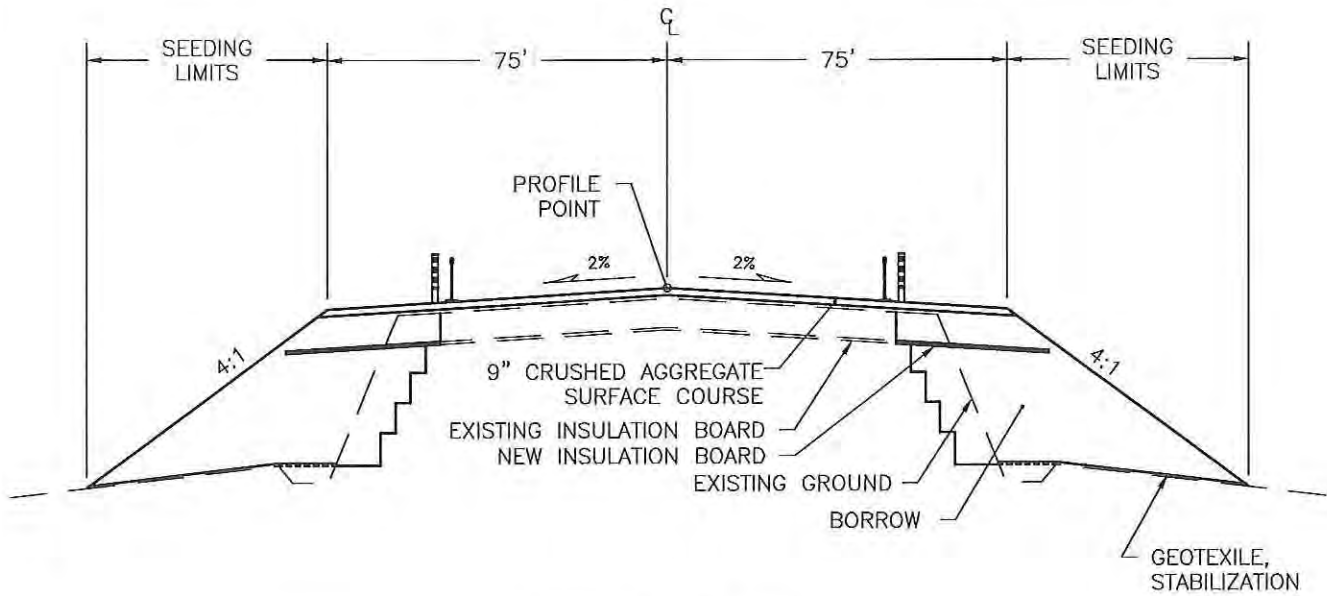
Applicant: DOT&PF
 POA-1992-439
 Sheet 2 of 8
 PROJECT SITE MAP

Date: 4/20/2016



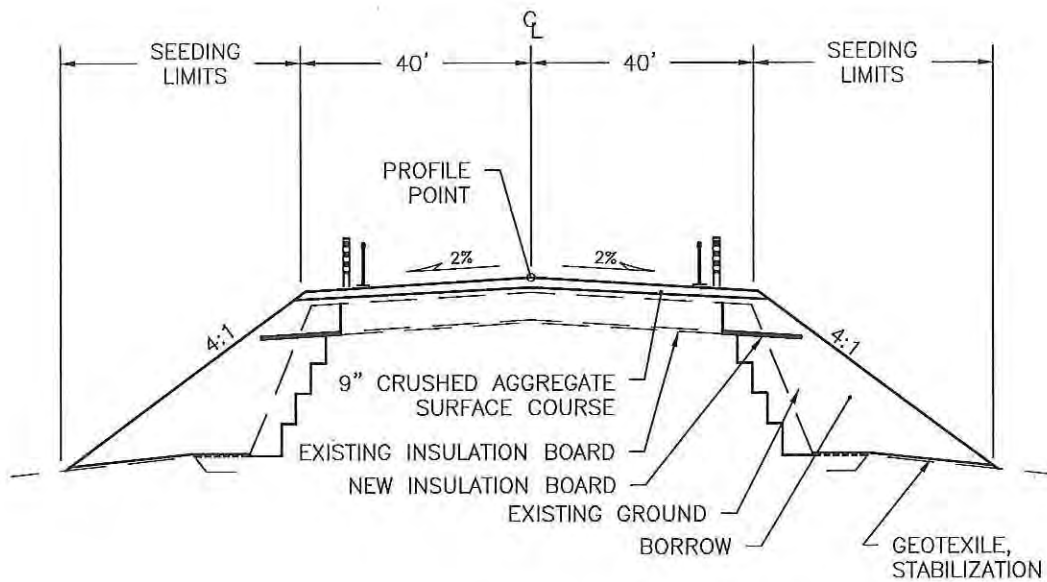
Wetland Impacts	Impact Areas	--- Airport Boundary
Wet Tundra	Footprint	Existing Airport Limits
Tall Open Shrub Swamp	10-foot Buffer	
Seasonally Open Water		
Uplands		

Applicant: DOT&PF
 POA-1992-439
 Sheet 3 of 8



RUNWAY TYPICAL SECTION

NTS



TAXIWAY TYPICAL SECTION

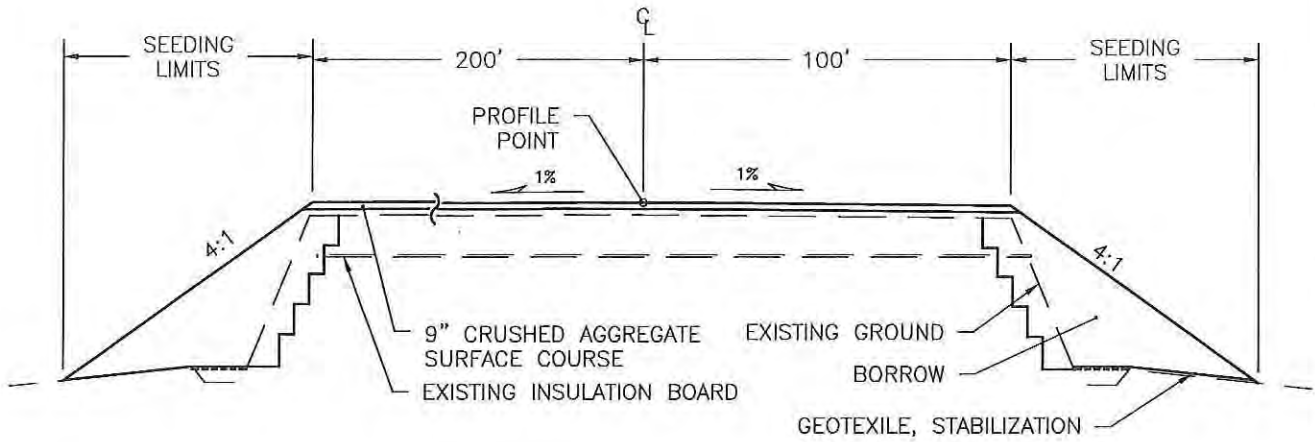
NTS

Applicant: DOT&PF

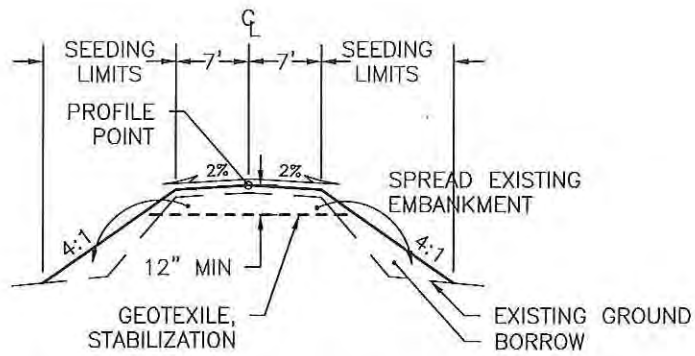
POA-1992-439

Sheet 4 of 8

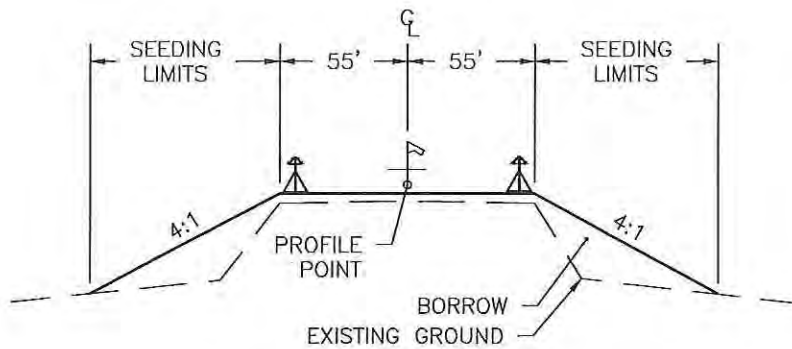
Date: 4/20/2016



APRON TYPICAL SECTION
NTS



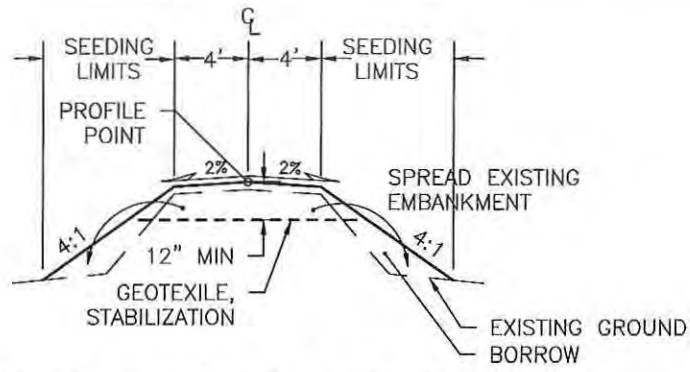
LIGHTED WIND CONE ACCESS ROAD TYPICAL SECTION
NTS



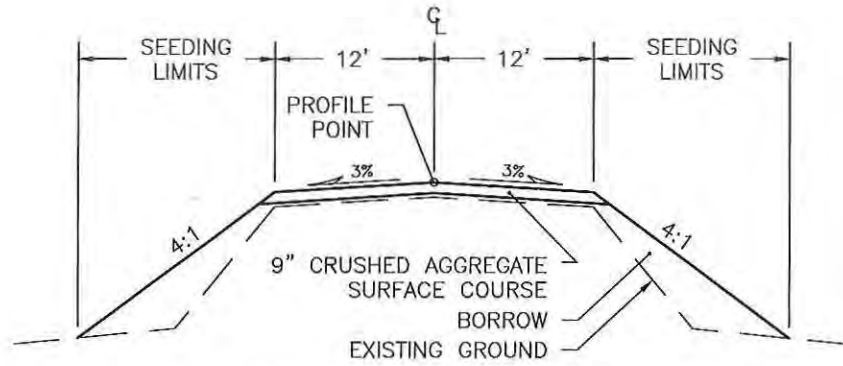
LIGHTED WIND CONE PAD TYPICAL SECTION
NTS

Applicant: DOT&PF
POA-1992-439
Sheet 5 of 8

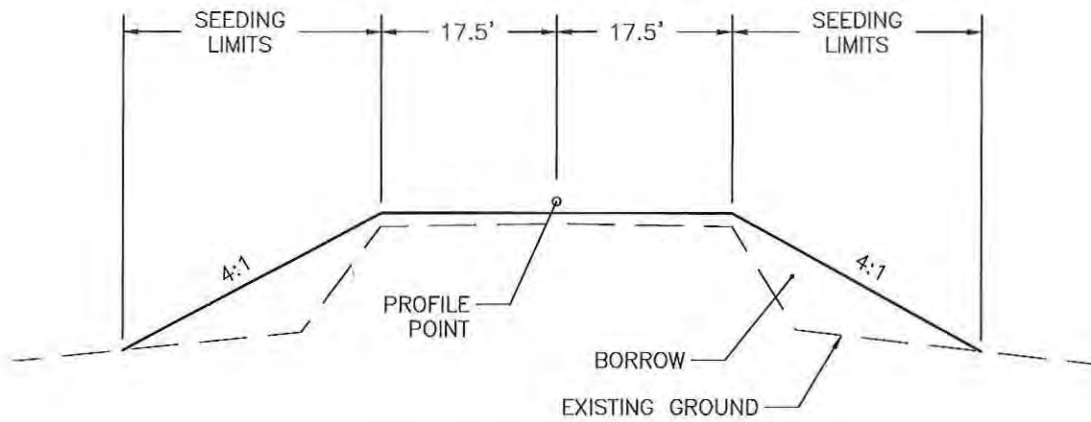
Date: 4/20/2016



UNLIGHTED WIND CONE PAD TYPICAL SECTION
NTS



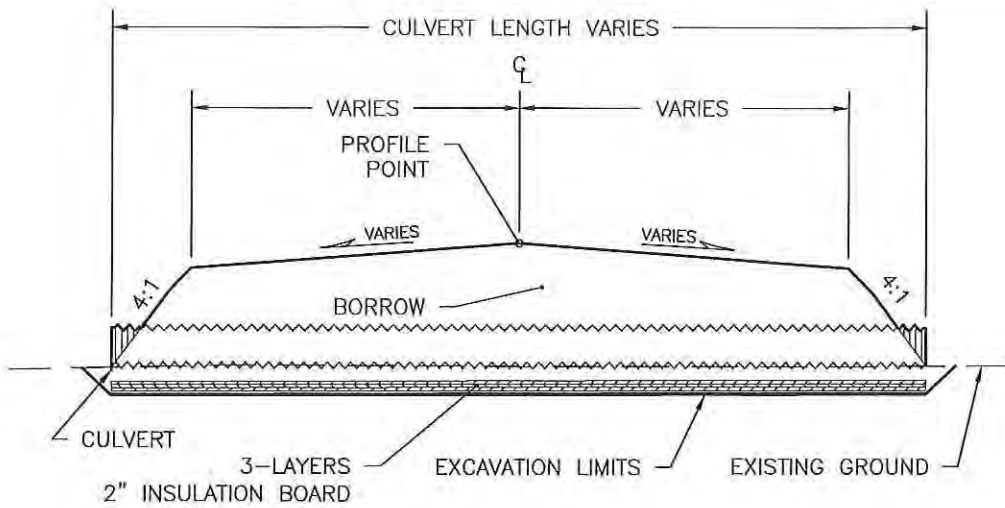
ACCESS ROAD TYPICAL SECTION
NTS



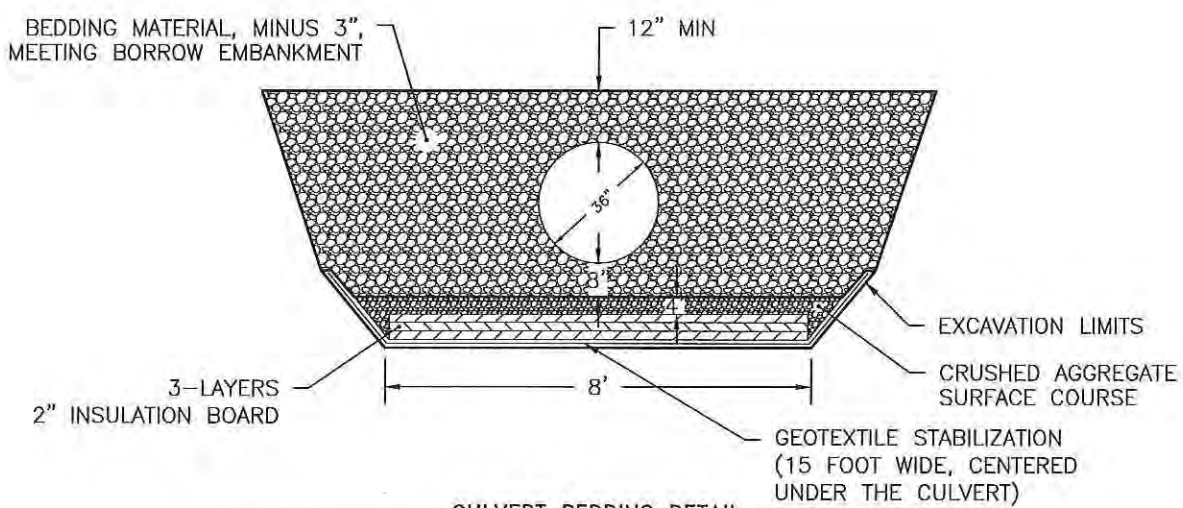
PAPI PAD TYPICAL SECTION
NTS

Applicant: DOT&PF
POA-1992-439
Sheet 6 of 8

Date: 4/20/2016



PROFILE CULVERT VIEW
NTS



CULVERT BEDDING DETAIL
NTS

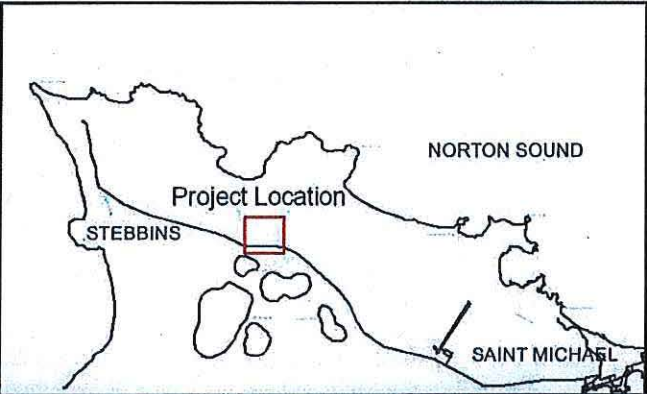
CULVERT SUMMARY D-701a								
PIPE NO.	STATION	LT/C/RT	AS-BUILT SIZE (DIAMETER x LENGTH)	NEW PIPE DIMENSIONS		REMOVE EXISTING	INSTALL MARKER POST	REMARKS
				24"	36"			
1	"LWCP" 1+84	C	24" x 80'		54'	"LWCP" 0+90		
2	"LWCP" 3+22	C	24" x 40'		60'	"LWCP" 3+50		
3	"ACCESS ROAD" 12+23	C	24" x 84'		100'	"ACCESS ROAD" 12+23		
4								
5								
TOTALS:								

Applicant: DOT&PF
POA-1992-439
Sheet 7 of 8

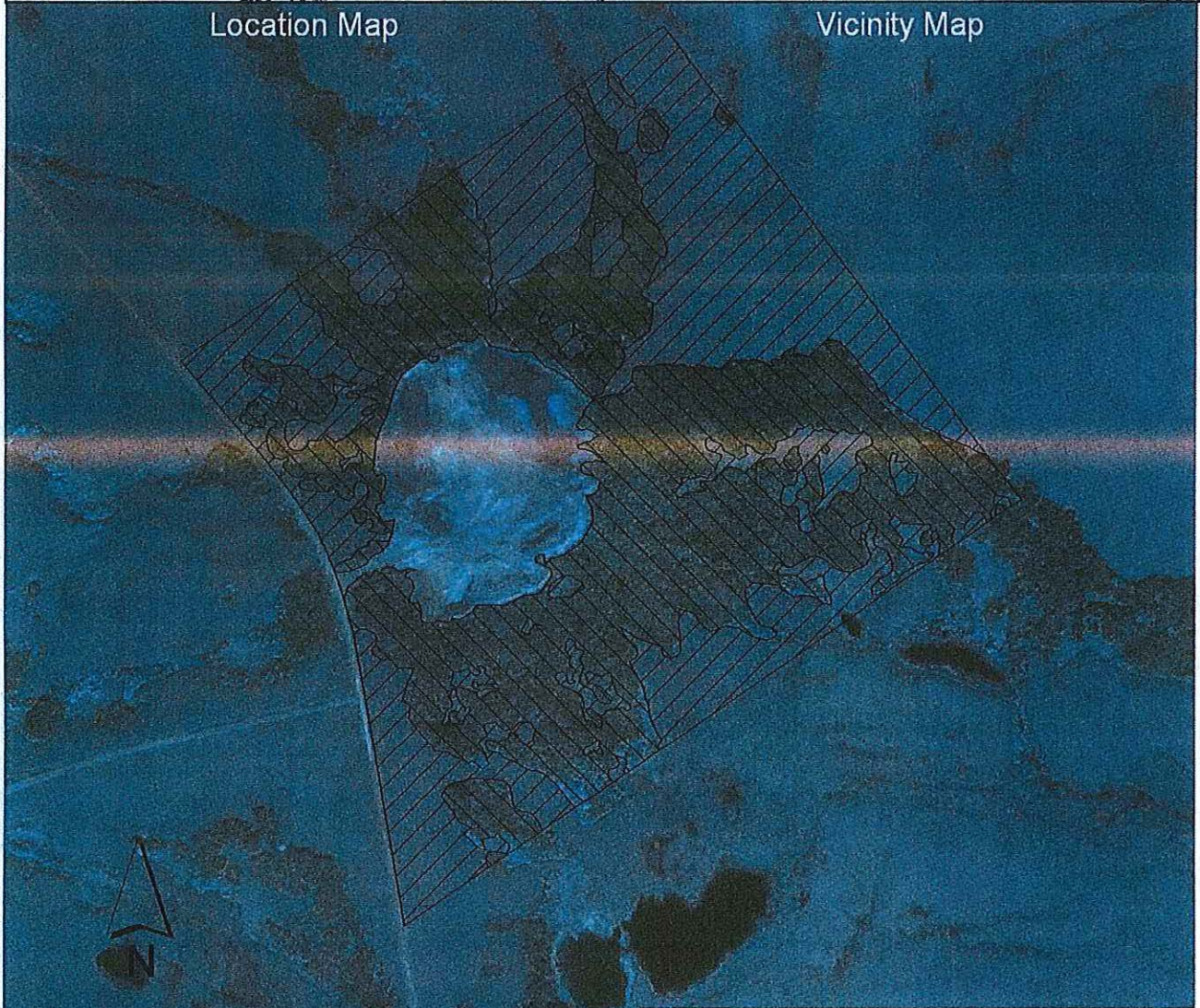
Date: 4/20/2016






Location Map



Vicinity Map



LEGEND

Wetland	Habitat	Vegetation
	UPLAND	Developed / Disturbed D/D
	PSS1/3/4B	Wet Tundra Sbc
	UPLAND	Closed Shrub Sbc

Halfway Mountain Material Site

POA-1992-439

Sheet 8 of 8

April 20, 2016