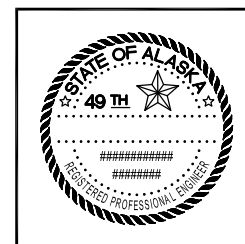
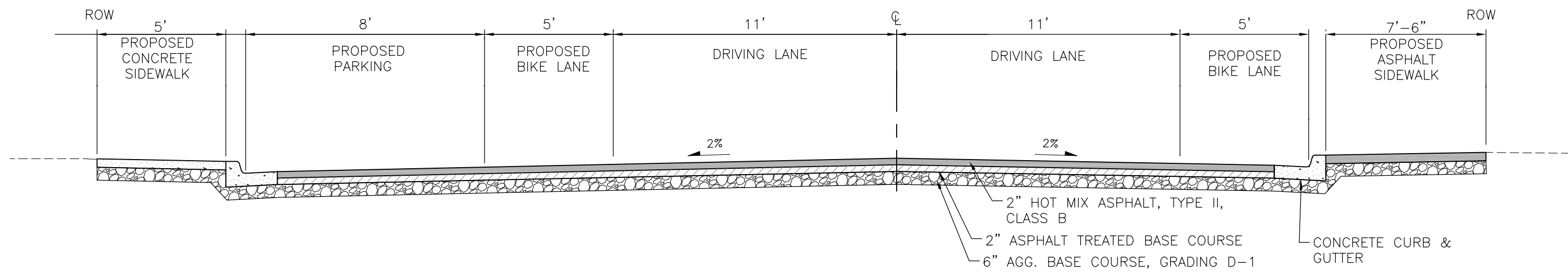


NO.	DATE	REVISION	STATE	PROJECT DESIGNATION	YEAR	SHEET NO.	TOTAL SHEETS
			ALASKA	Z681000000	2017	B1	6

FILE Q:\SIT\68100\Plans\68100_B_sheets.dwg
 DATE 11/1/2017 13:41
 LAYOUT B1
 DESIGNED C.I.
 CHECKED L.G.
 DRAFTED J.T.



STATE OF ALASKA
DEPARTMENT OF TRANSPORTATION
AND PUBLIC FACILITIES

SIT SAWMILL CREEK-
ROUNDAABOUT TO JEFF DAVIS

TYPICAL SECTION