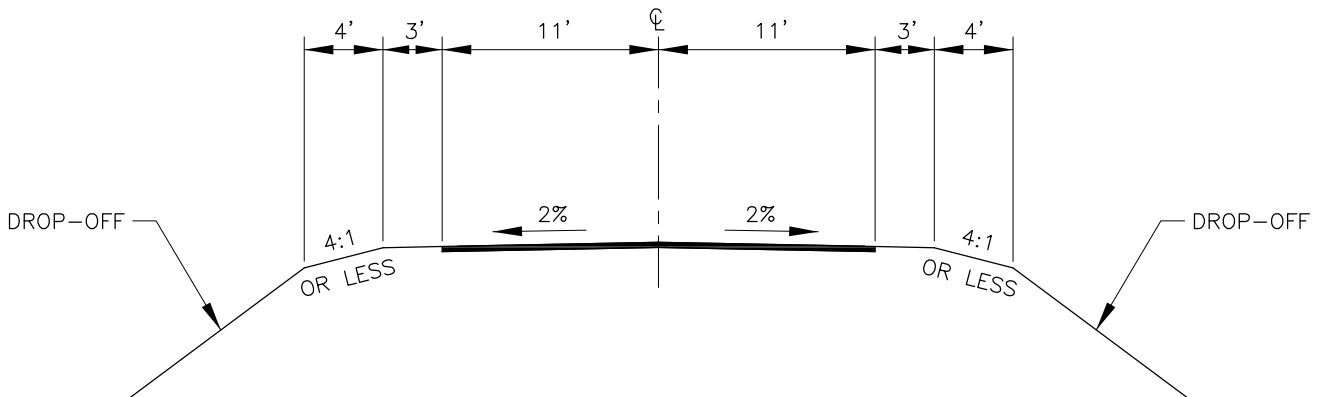


**14' SINGLE LANE**

POSTED SPEED: 20 MPH  
 SPECIAL MEASURES FOR CURVE AND GRADE SECTIONS (ONLY)  
 VOLUMES BELOW 400 ADT



**35 MPH TWO LANE  
 FULL BUILD-OUT**

POSTED SPEED: 35 MPH  
 SPECIAL MEASURES FOR CURVE AND GRADE SECTIONS (ONLY)  
 VOLUMES BELOW 400 ADT

**TYPICAL ROAD SECTIONS**

**KTN TO SHELTER  
 COVE ROAD**

NEAR: KETCHIKAN, ALASKA  
 LOCATED IN: SOUTHEAST ALASKA